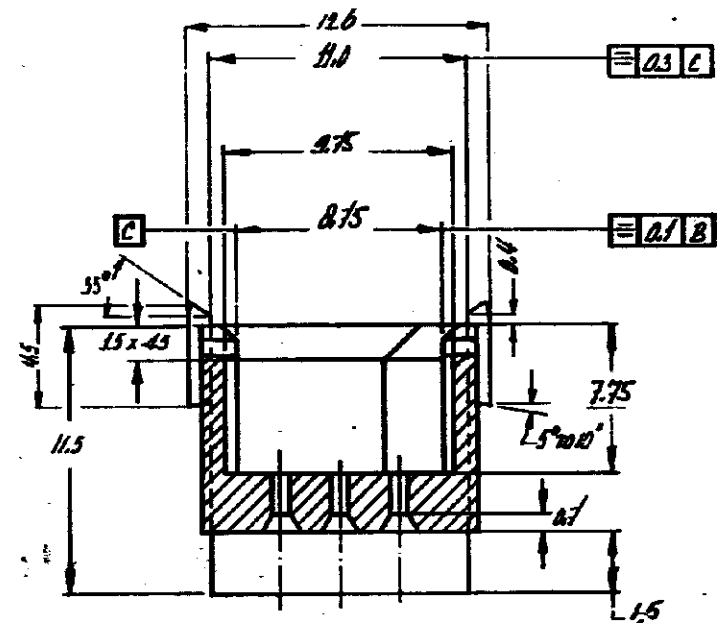
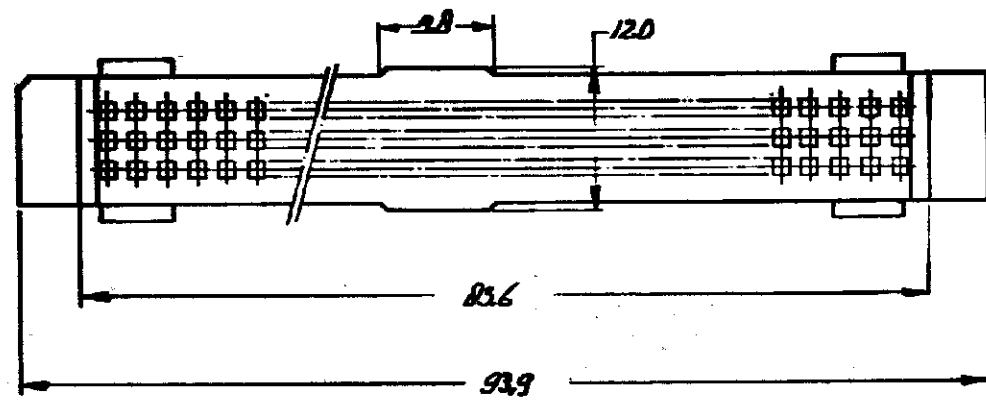
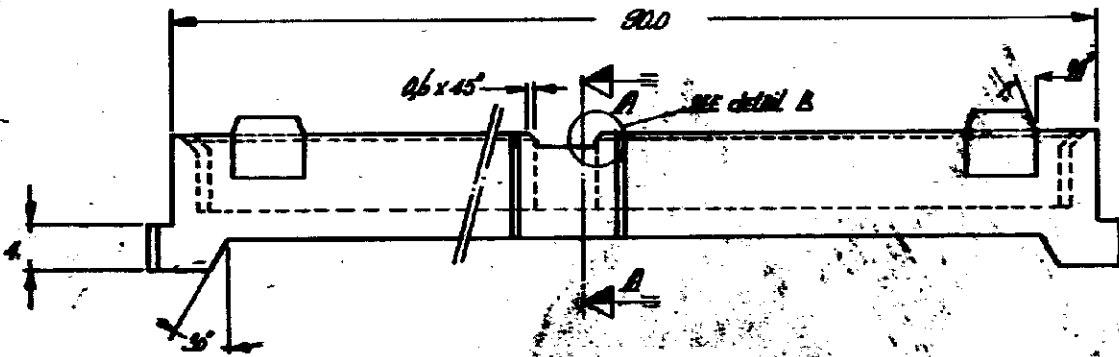
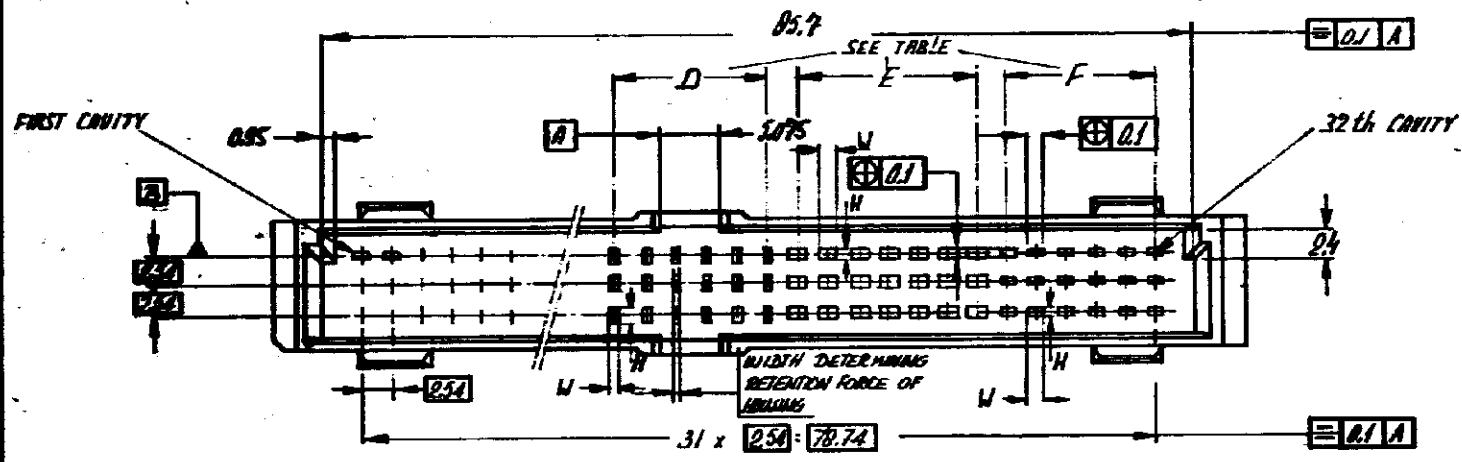
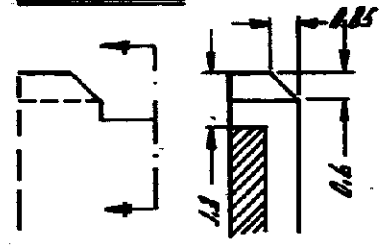


DRAWING MADE IN AMERICAN PROJECTION




Section A-A



ENLARGED VIEW OF DETAIL B

| CAVITY NUMBER | H | W |
|---------------------------------|------|------|
| F 23 THROUGH 32 1 THROUGH 10 | 0.65 | 0.70 |
| E 20 THROUGH 26 7 THROUGH 13 | 0.66 | 0.75 |
| D 14 THROUGH 19 | 0.69 | 0.59 |

| | | | | | |
|----------------------------------|------------|----------|---|---|---------------------|
| ORDER NO. | 166397.1 | MATERIAL | Thermo Plastic Polyester 28 of Colour: Black 206 0005 | PLATING | |
| CUSTOMER COPY FOR REFERENCE ONLY | | | | | |
| DR | C.F. David | DATE | JULY 1960 | © 1960 BY AMP-HOLLAND N.V. ALL RIGHTS RESERVED A-MP PRODUCTS COVERED BY PATENTS AND/OR PATENTS PENDING. | |
| CHK | | DATE | |  AMP-HOLLAND N.V. 's-Hertogenbosch | |
| DE | | DATE | | | |
| APP | | DATE | 19-8-60 | SCALE | B/14:1 |
| | | | | SIZE | B |
| | | | | NO. | C.166397.E |
| | | | | NAME | 36 Pos MALE HOUSING |

单击下面可查看定价，库存，交付和生命周期等信息

[>>TE Connectivity\(泰科\)](#)