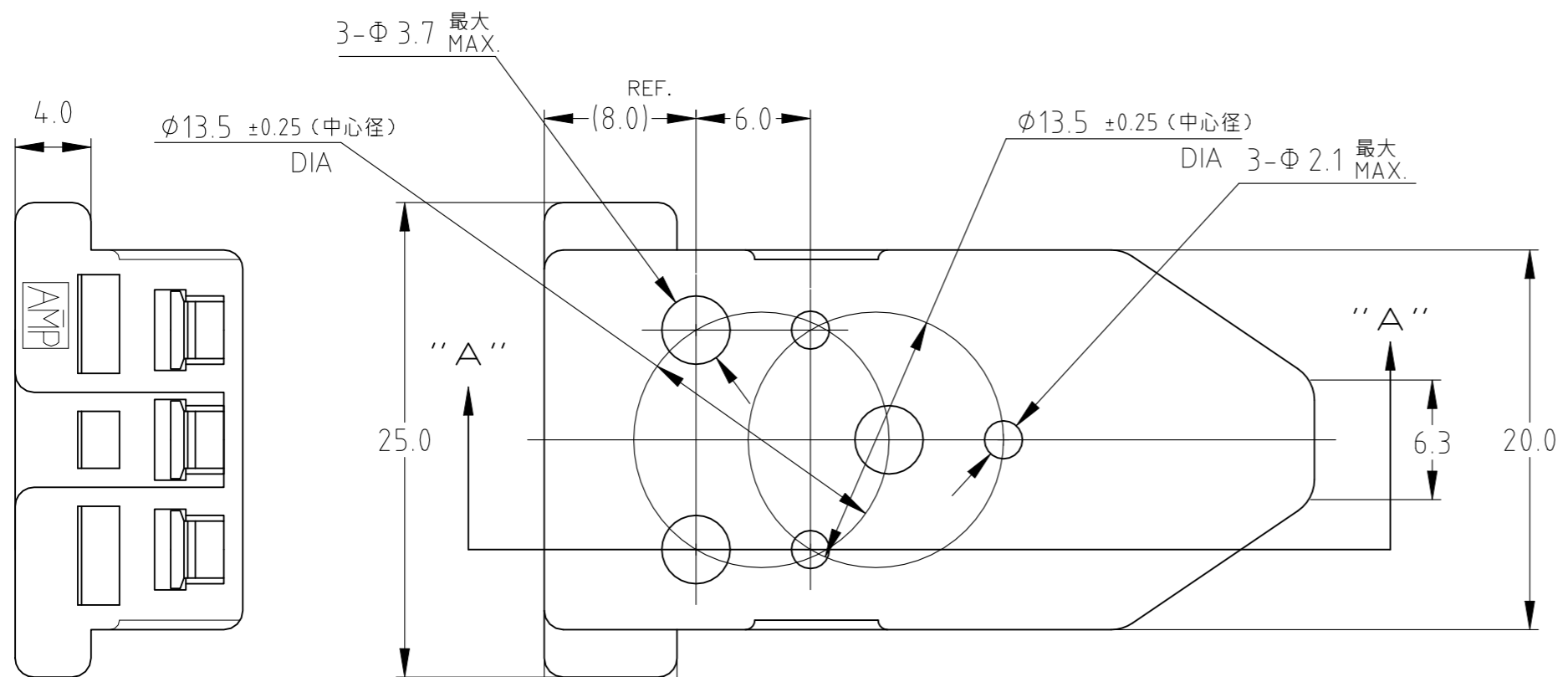
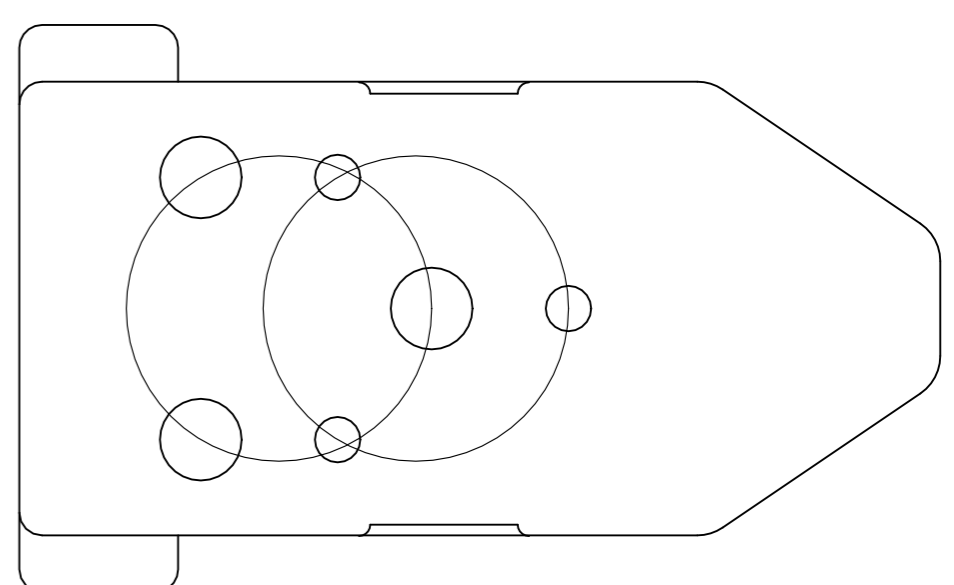


THIS DRAWING IS UNPUBLISHED. RELEASED FOR PUBLICATION OCT. 18 .
 © COPYRIGHT 2002 Tyco Electronics JAPAN G.K. ALL RIGHTS RESERVED.

REVISIONS 変更					
P	LTR	DESCRIPTION	DATE	DWN	APVD
	C1	REVISED PER ECR-16-004471	30MAY2016	K.S	PKS
	C2	REVISED PER ECR-21-122909	05DEC2021	JJ	TD

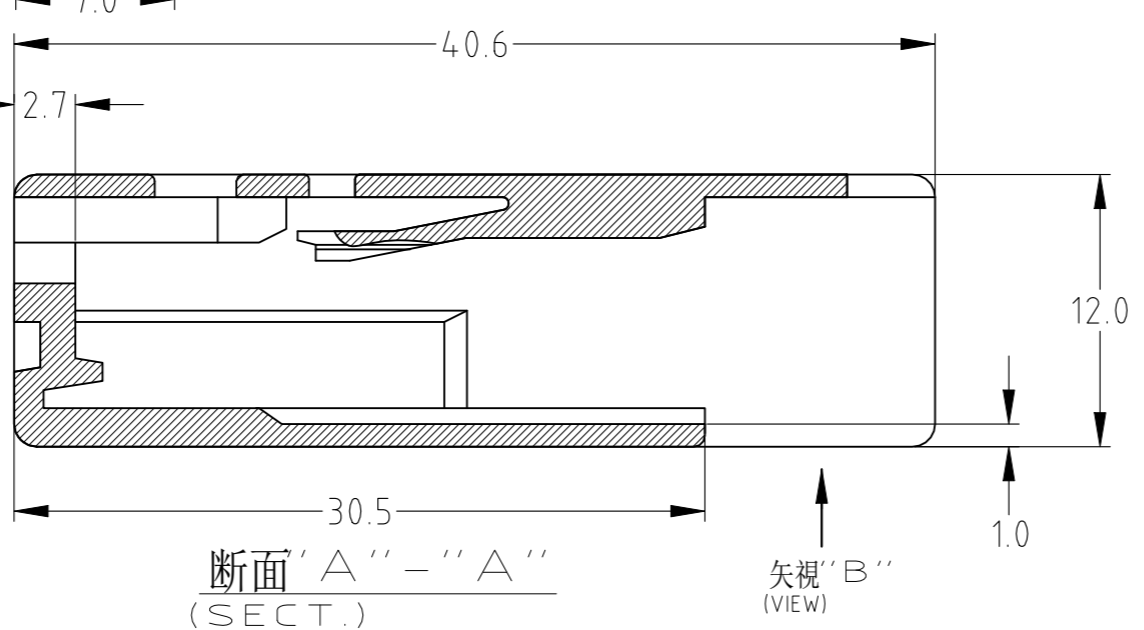
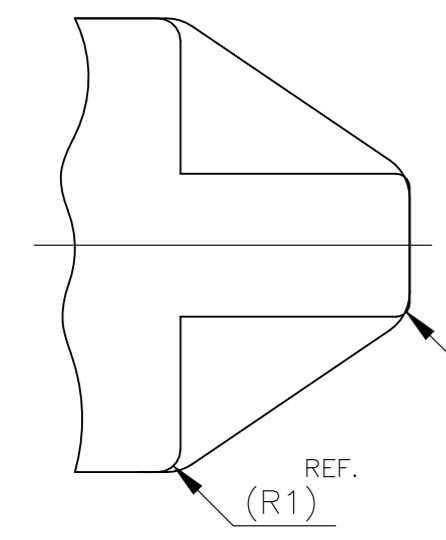


注記
 1. 適用コンタクト 316294, 316292
 △耐加水分解PBT
 1. APPLICABLE CONTACT : 316294, 316292
 △ MATERIAL; HYDROLYTIC CLEAVAGE RESISTANCE PBT



DENT LOCATION FOR 316293-3

DENT LOCATION FOR 316293-1/2



矢視 "B" (VIEW)

矢視 "B" (VIEW)

断面 "A" - "A" (SECT.)

自然色 (NATURAL)	LCP (UL94V-0)	316293-3
黒 (BLACK)	△耐加水分解PBT(ガラス強化) GLASS FILLED (UL94HB)	316293-2
自然色 (NATURAL)	PBT(ガラス強化)(UL94HB) GLASS FILLED	316293-1
色調 (COLOR)	材料 (MATERIAL)	型番 (P/N)

THIS DRAWING IS A CONTROLLED DOCUMENT.		DWN M.SUZUKI 18OCT02	TE Connectivity 3.2Φクラスター・ブロック 3.2DIA CLUSTER BLOCK				
DIMENSIONS: 単位: 耗 mm		CHK M.SHINDO 18OCT02				NAME M.SHINDO 18OCT02	PRODUCT SPEC 製品規格 108-5494
TOLERANCES UNLESS OTHERWISE SPECIFIED: 一般公差		APVD M.SHINDO 18OCT02				APPLICATION SPEC 取付適用規格 114-5215	WEIGHT 0
MATERIAL 材料 SEE TABLE		FINISH 仕上				SIZE A3	CAGE CODE 00779
			DRAWING NO 番号 G-316293	RESTRICTED TO -			
CUSTOMER DRAWING			SCALE 尺度 3:1	SHEET 1 OF 1	REV C2		

单击下面可查看定价，库存，交付和生命周期等信息

[>>TE Connectivity\(泰科\)](#)