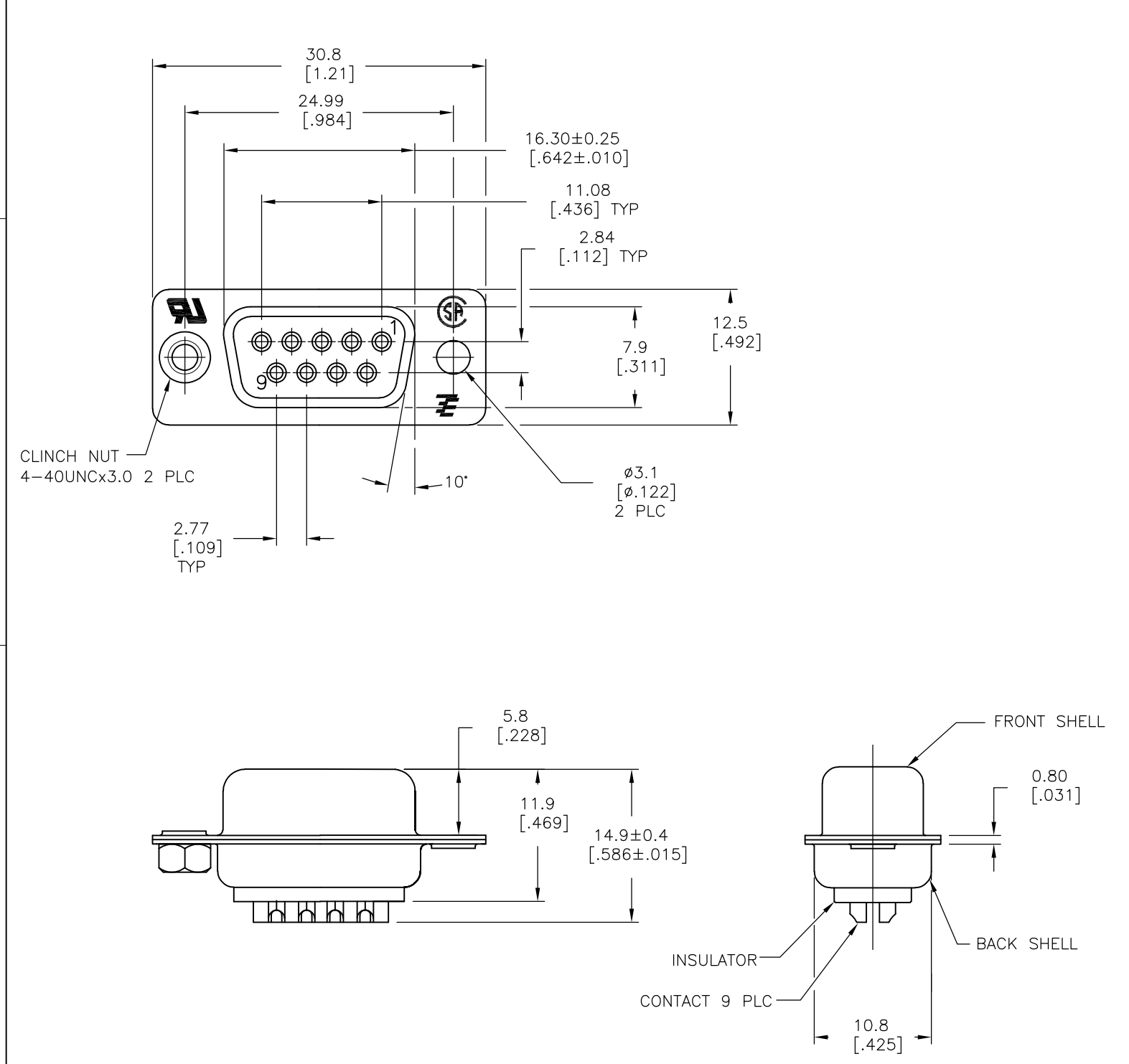


THIS DRAWING IS UNPUBLISHED. RELEASED FOR PUBLICATION
 © COPYRIGHT - By - ALL RIGHTS RESERVED.

LOC	DIST	REVISIONS			
P	LTR	DESCRIPTION	DATE	DWN	APVD
GP	00	AB	REVISED PER ECO-15-010090	16JUL2015	AP DG



- 1 MATERIAL:
 FRONT INSULATOR: PBT, 30 %GF, UL94V-0, BLACK COLOR
 BACK INSULATOR: PBT, 30 %GF, UL94V-0, BLACK COLOR
 CONTACT: BRASS
 FRONT & BACK SHELL: STEEL
 CLINCH NUTS: BRASS
- 2 FINISH:
 CONTACT: GOLD PLATING 0.00002[.000008] MIN ON CONTACT AREA 0.00229[.000090] MIN TIN-LEAD PLATING ALL OVER 0.00127[.000050] MIN NICKEL
- 3 CONTACT: GOLD PLATING 0.00076[.000030] MIN ON CONTACT AREA 0.00229[.000090] MIN TIN-LEAD PLATING ALL OVER 0.00127[.000050] MIN NICKEL
- 4 SHELL: BRIGHT TIN 0.00241[.000095] MIN FULL SHELL
- 5 SHELL: BLUE ZINC: 0.00508[.000200] - 0.00762[.000300] OVER ENTIRE SHELL
- 6 CONTACT: GOLD PLATING 0.00002[.000008] MIN ON CONTACT AREA 0.00229[.000090] MIN HOT DIPPED TIN-COPPER PLATING ALL OVER 0.00127[.000050] MIN NICKEL
- 7 CLINCH NUTS: NICKEL PLATING .00305-.00508[.000120-.000200]
- 8 SPECIFICATION
 ELECTRICAL CHARACTERISTICS: CURRENT RATING: 3 AMPERES
 DIELECTRIC WITHSTANDING VOLTAGE: AC 1000V r.m.s
 INSULATION RESISTANCE: 5000 MEGOHMS MINIMUM AT DC 500V
 CONTACT RESISTANCE: 10 MILLIOHMS MAXIMUM.
- 9 RECEPTACLE ASSEMBLY MATES WITH ANY 9 POSITION PLUG IN AMPLIMITE SERIES
- 10 SOLDER CUP WILL ACCOMODATE 20 AWG MAX WIRE.
- 11 ROHS 2002/95/EC/COMPLIANT
- 12 CONTACT: GOLD PLATING 0.00076[.000030] MIN ON CONTACT AREA 0.00229[.000090] MIN HOT DIPPED TIN-COPPER ALL OVER 0.00127[.000050] MIN NICKEL PLATING

REV	DESCRIPTION	DATE	BY	CHK	APP	REV	DESCRIPTION	DATE	BY	CHK	APP
11	OBSOLETE					6	5				
11	STANDARD					6	4				
11	STANDARD					12	4				
11	STANDARD					6	4				
11	STANDARD					6	4				
	SUPERSEDED TO 5-747905-2					6	4				
	SUPERSEDED TO 5-747905-7					2	4				
	SUPERSEDED TO 5-747905-5					3	4				
	SUPERSEDED TO 5-747905-4					2	5				
	SUPERSEDED TO 5-747905-2					2	4				

PACKAGING TYPE	CLINCH NUTS	CONTACTS	SHELLS	PART NO.
	7			

THIS DRAWING IS A CONTROLLED DOCUMENT. DIMENSIONING AND TOLERANCING PER ASME Y14.5M-2009		DWN M.BINNER 03MAR03	TE Connectivity		
DIMENSIONS: mm 		CHK R.BENDORF 05MAR03			
TOLERANCES UNLESS OTHERWISE SPECIFIED: 0 PLC ± - 1 PLC ± 0.25 2 PLC ± 0.13 3 PLC ± 0.05 4 PLC ± - ANGLES ± -		APVD R.BENDORF 05MAR03	NAME		
MATERIAL 1		FINISH SEE TABLE	RECEPTACLE ASSEMBLY, SOLDER CUP, SIZE 1, 9 POSITION, AMPLMITE		
		PRODUCT SPEC -	SIZE A3	CAGE CODE 00779	DRAWING NO C-747905
		APPLICATION SPEC -	RESTRICTED TO -		
		WEIGHT -	SCALE 2:1		SHEET 1 OF 1
		CUSTOMER DRAWING	REV AB		

单击下面可查看定价，库存，交付和生命周期等信息

[>>TE Connectivity\(泰科\)](#)

[>>点击查看相关商品](#)