

THIS DRAWING IS UNPUBLISHED.

RELEASED FOR PUBLICATION

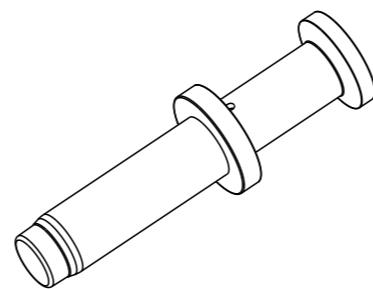
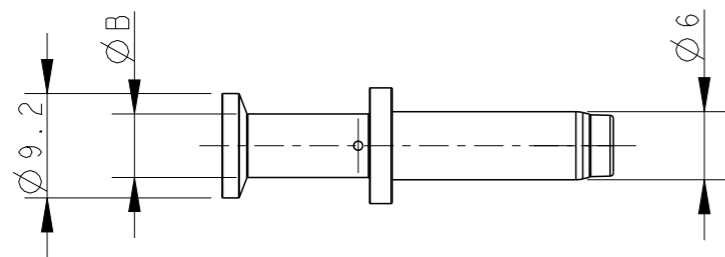
20

© COPYRIGHT 20 BY -

ALL RIGHTS RESERVED.

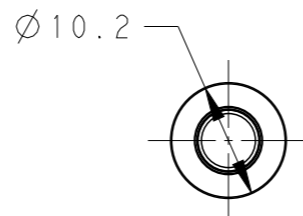
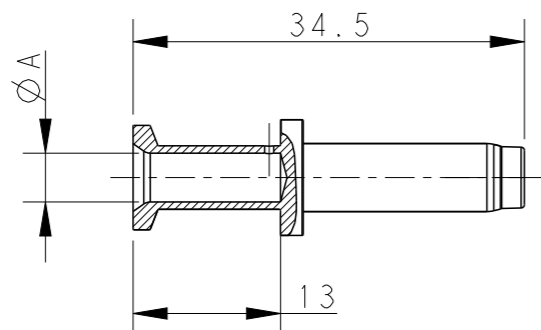
REVISIONS

P	LTR	DESCRIPTION	DATE	DWN	APVD
	A	INITIAL	29 JUL 2022	DW	CW
	A1	ECR-23-194923	30 JAN 2024	DW	CW



NOTES:
 1. TECHNICAL CHARACTERISTICS:
 CONTACT MATERIAL: COPPER ALLOY
 SURFACE PLATING: SILVER
 CONTACT RESISTANCE: $\leq 1.0m\Omega$
 WIRE RANGE: 4.0-16mm² (12-6 AWG)

注释:
 1. 技术参数:
 公针材料: 铜合金
 表面电镀: 镀银
 接触电阻: $\leq 1.0m\Omega$
 接线范围: 4.0-16mm² (12-6 AWG)



T2400031040-002	HSM-4.0	HSM-4.0, SILVER PLATING HSM公针 4.0mm ² , 镀银, 高插拔	2.85	3.85	AWG 12 (4.0mm ²)	13
T2400031100-002	HSM-10	HSM-10, SILVER PLATING HSM公针 10mm ² , 镀银, 高插拔	4.3	5.6	AWG 8 (10mm ²)	
T2400031160-002	HSM-16	HSM-16, SILVER PLATING HSM公针 16mm ² , 镀银, 高插拔	5.8	8.5	AWG 6 (16mm ²)	
PART NUMBER 料号	PART DESCRIPTION 描述		ϕA	ϕB	WIRE GAUGE 线规	STRIPPING LENGTH(mm) 剥线长度

THIS DRAWING IS A CONTROLLED DOCUMENT.

DWN 29 JUL 2022

DAVID WANG

CHK 29 JUL 2022

GINO YAO

APVD 29 JUL 2022

CHRIS WANG

NAME

HSM
SS PIN CONTACT

PRODUCT SPEC

108-137613

APPLICATION SPEC

114-137613

WEIGHT

-

SIZE

A300779

CAGE CODE

DRAWING NO

C-T2400031XX0002

RESTRICTED TO

-

CUSTOMER DRAWING

SCALE

3:2

SHEET

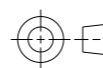
1 OF 1

REV

A1

DIMENSIONS:

mm



TOLERANCES UNLESS OTHERWISE SPECIFIED:

0 PLC	±-
1 PLC	±-
2 PLC	±-
3 PLC	±-
4 PLC	±-
ANGLES	±-
FINISH	-

MATERIAL

-

FINISH

-

单击下面可查看定价，库存，交付和生命周期等信息

[>>TE Connectivity\(泰科\)](#)