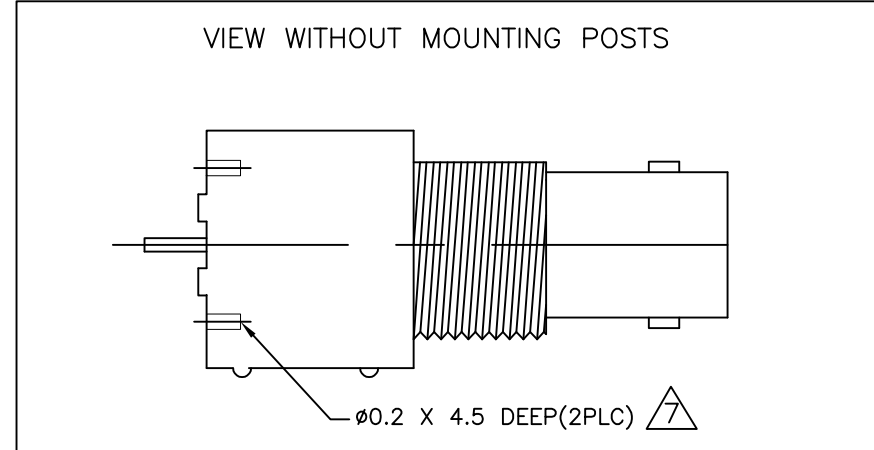
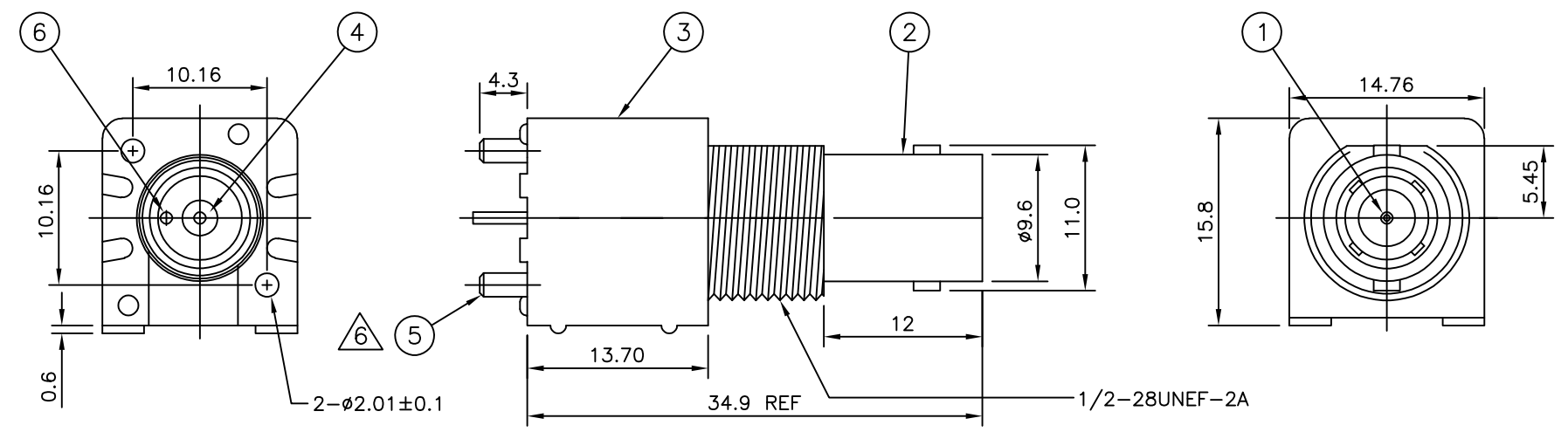


THIS DRAWING IS UNPUBLISHED.  
 RELEASED FOR PUBLICATION AUGUST, 2005.  
 © COPYRIGHT 2005 By - ALL RIGHTS RESERVED.

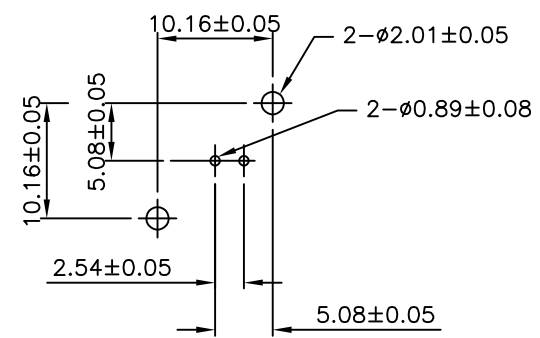
LOC	DIST	REVISIONS					
E	B	P	LTR	DESCRIPTION	DATE	DWN	APVD
		D1		REVISED PER ECR-17-004176	23MAR2017	BW	RS

NOTES:

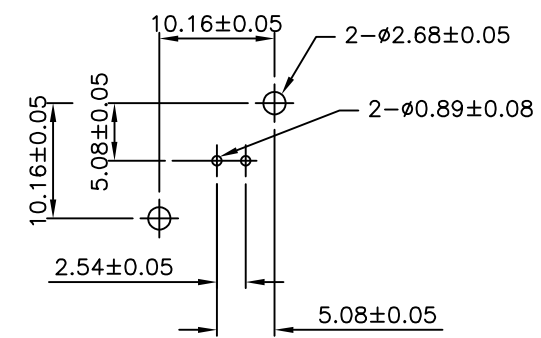
- 1. SINGLE PACK IN ACCORDANCE WITH AMP SPEC 107-3275
- 2. 50 TRAY PACK IN ACCORDANCE WITH AMP SPEC 107-3275
- 3. Au PLATING OVER Ni PLATING OVER Cu PLATING
- 4. Ni PLATING OVER Cu PLATING
- 5. TIN PLATING
- 6. MOUNTING POSTS ARE OPTIONAL SEE TABLE FOR PART NUMBERS
- 7. RECOMMENDED SELF-TAPPING SCREW 221108-4
- 8. RECOMMENDED MOUNT NUT 1-1634816-0
- 9. RECOMMENDED LOCKWASHER 1-1634817-0
- 10. FOR TECHNICAL DATA REFER TO YOUR LOCAL TE CONNECTIVITY SALES OFFICE
- 11. ALL DIMENSIONS ARE NOMINAL FOR REFERENCE ONLY UNLESS OTHERWISE STATED



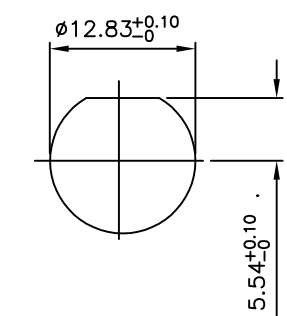
RECOMMENDED PCB LAYOUT WITH MOUNTING POSTS OR BOARD LOCKS



RECOMMENDED PCB LAYOUT WITHOUT MOUNTING POSTS



RECOMMENDED MOUNTING HOLE MAX PANEL THICKNESS: 5.5mm



QTY	1	1	1	1	MATERIAL	DESCRIPTION	ITEM
	1	1	1	1	BRASS	SOLDER TAIL	6
	-	-	2	2	BRASS	MOUNTING POST	5
	1	1	1	1	PE-606	INSULATOR	4
	1	1	1	1	PBT WHITE	HOUSING	3
	1	1	1	1	ZINC ALLOY	BODY	2
	1	1	1	1	BRASS	CONTACT	1
	6--1	1--1	6--0	1--0			
	2	1	2	1			

QUANTITY PER ASSY



THIS DRAWING IS A CONTROLLED DOCUMENT.		DWN RITA ZUO 06 Mar 09	<p style="text-align: center;"><b>STE</b> TE Connectivity</p> <p style="text-align: center;">BNC STRAIGHT INSULATED PCB SOCKET 75 OHM WHITE</p>		
DIMENSIONS: mm		CHK ANSON MA 06 Mar 09			
TOLERANCES UNLESS OTHERWISE SPECIFIED:		APVD BOB ZHAO 06 Mar 09			
<p>0 PLC ± 0.5</p> <p>1 PLC ± 0.3</p> <p>2 PLC ± 0.2</p> <p>3 PLC ± -</p> <p>4 PLC ± -</p> <p>ANGLES ± -</p>		NAME			
MATERIAL SEE TABLE		FINISH SEE TABLE	PRODUCT SPEC 108-112000	APPLICATION SPEC	RESTRICTED TO
		WEIGHT 0	SIZE A3	CAGE CODE 00779	DRAWING NO C-1478033
CUSTOMER DRAWING			SCALE NTS	SHEET 1 OF 1	REV D1

单击下面可查看定价，库存，交付和生命周期等信息

[>>TE Connectivity\(泰科\)](#)