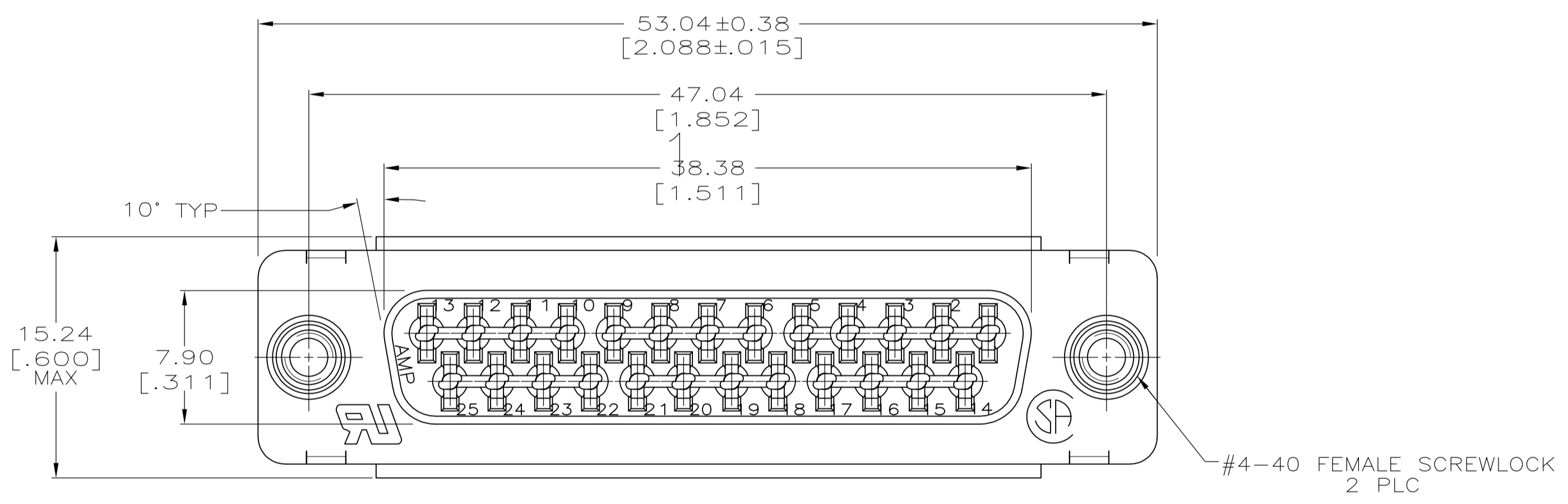
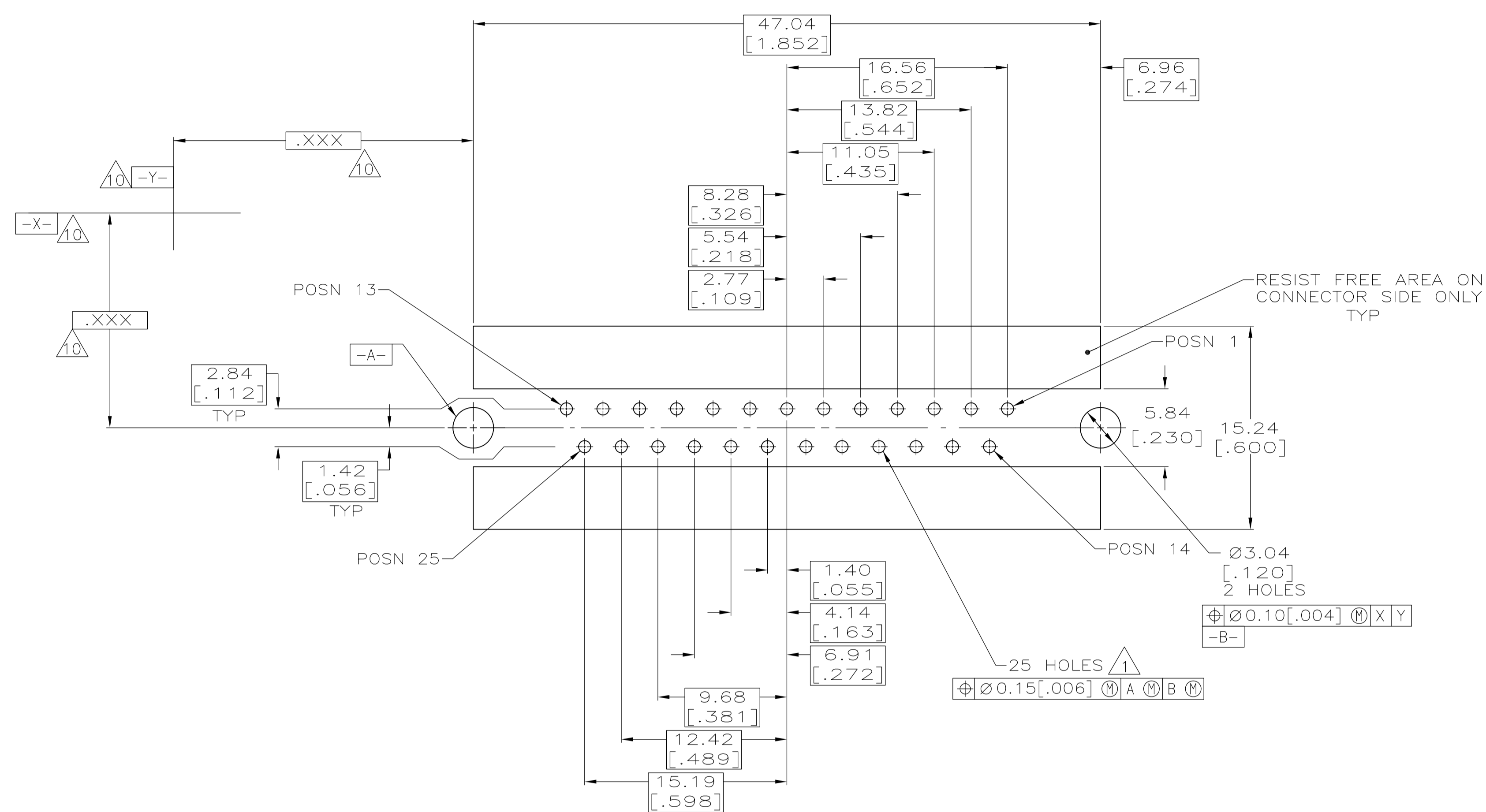
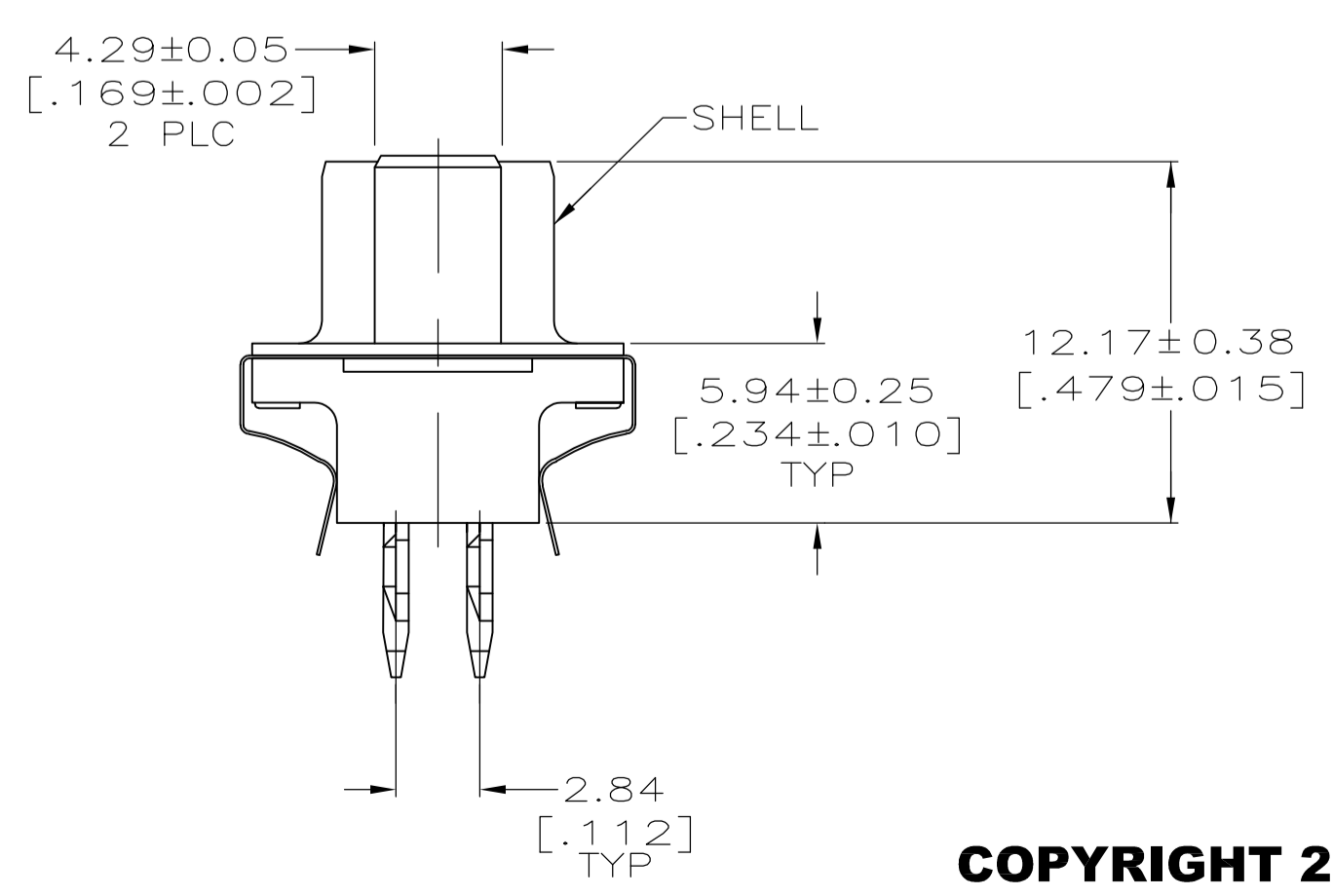
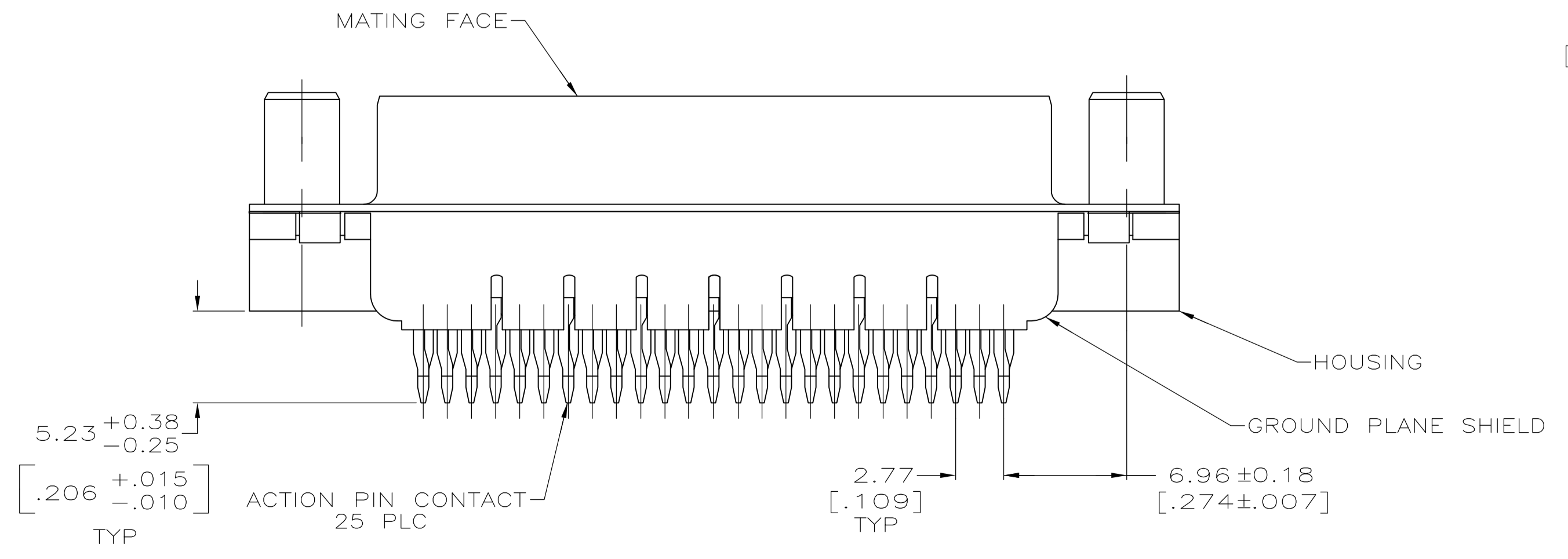


- 1 FOR USE WITH 2.36 [.093] MINIMUM THICK PRINTED CIRCUIT BOARD. REFER TO APPLICATION SPECIFICATION FOR HOLE SIZE AND FINISH RECOMMENDATIONS.
- 2 HOUSING: NYLON OR POLYESTER, UL 94V-0 RATED, BLACK.
- 3 CONTACTS: COPPER ALLOY.
- 4 SHELL: CARBON STEEL.
- 5 SCREWLOCKS: ZINC.
- 6 SHIELD: 1.27µm [.000050] MIN TIN OVER 0.13µm [.000005] MIN NICKEL STRIKE.
- 7 SHELL: 5.08µm [.000200] MIN TIN OVER 2.54µm [.000100] MIN COPPER.
- 8 CONTACTS:
0.76 MICRO METERS [.000030] MINIMUM GOLD IN MATING AREA.
2.54 MICRO METERS [.000100] MINIMUM TIN ON COMPLIANT PIN.
ALL OVER 1.27 MICRO METERS [.000050] MINIMUM NICKEL.
OR
GOLD FLASH OVER PALLADIUM NICKEL.
0.76 MICRO METERS [.000030] MINIMUM TOTAL IN MATING AREA.
2.54 MICRO METERS [.000100] MINIMUM TIN ON COMPLIANT PIN.
ALL OVER 1.27 MICRO METERS [.000050] MINIMUM NICKEL.
- 9 SHIELD: STAINLESS STEEL
- 10 DATUMS AND BASIC DIMENSIONS ESTABLISHED BY CUSTOMERS.
- 11 SCREWLOCKS: CLEAR CHROMATE



RECOMMENDED PC BOARD MOUNTING DIMENSIONS 1
CONNECTOR SIDE OF BOARD



**COPYRIGHT 2005
TYCO ELECTRONICS CORP
ALL RIGHTS RESERVED**

| | | | |
|--|-------------|--------------------------------|-----------------------------------|
| THIS DRAWING IS A CONTROLLED DOCUMENT. DIMENSIONING AND TOLERANCING PER ASME Y14.5M-2009 | | DIN A FERNANDEZ-DOCKS 04-04-05 | TE Connectivity |
| DIMENSIONS: INCHES | | CJK S BOLASH 04-04-05 | |
| TOLERANCES UNLESS OTHERWISE SPECIFIED: | | APVD M WALMSLEY 04-04-05 | NAME |
| 0 PLC ± - | 1 PLC ± - | PRODUCT SPEC | RECEPTACLE ASSEMBLY, SIZE 3, |
| 2 PLC ± 0.13 [.005] | 3 PLC ± - | APPLICATION SPEC | 25 POSITION, ACTION PIN, |
| 4 PLC ± - | ANGLES ± 2' | 114-40026 1 | FRONT METAL SHELL AMPLIMITE HD-20 |
| MATERIAL | FINISH | SIZE | CAGE CODE DRAWING NO |
| | | A1 | 00779 5748441 |
| CUSTOMER DRAWING | | SCALE | 4:1 |
| | | SHEET | 1 OF 1 |
| | | REV | C |

单击下面可查看定价，库存，交付和生命周期等信息

[>>TE Connectivity\(泰科\)](#)