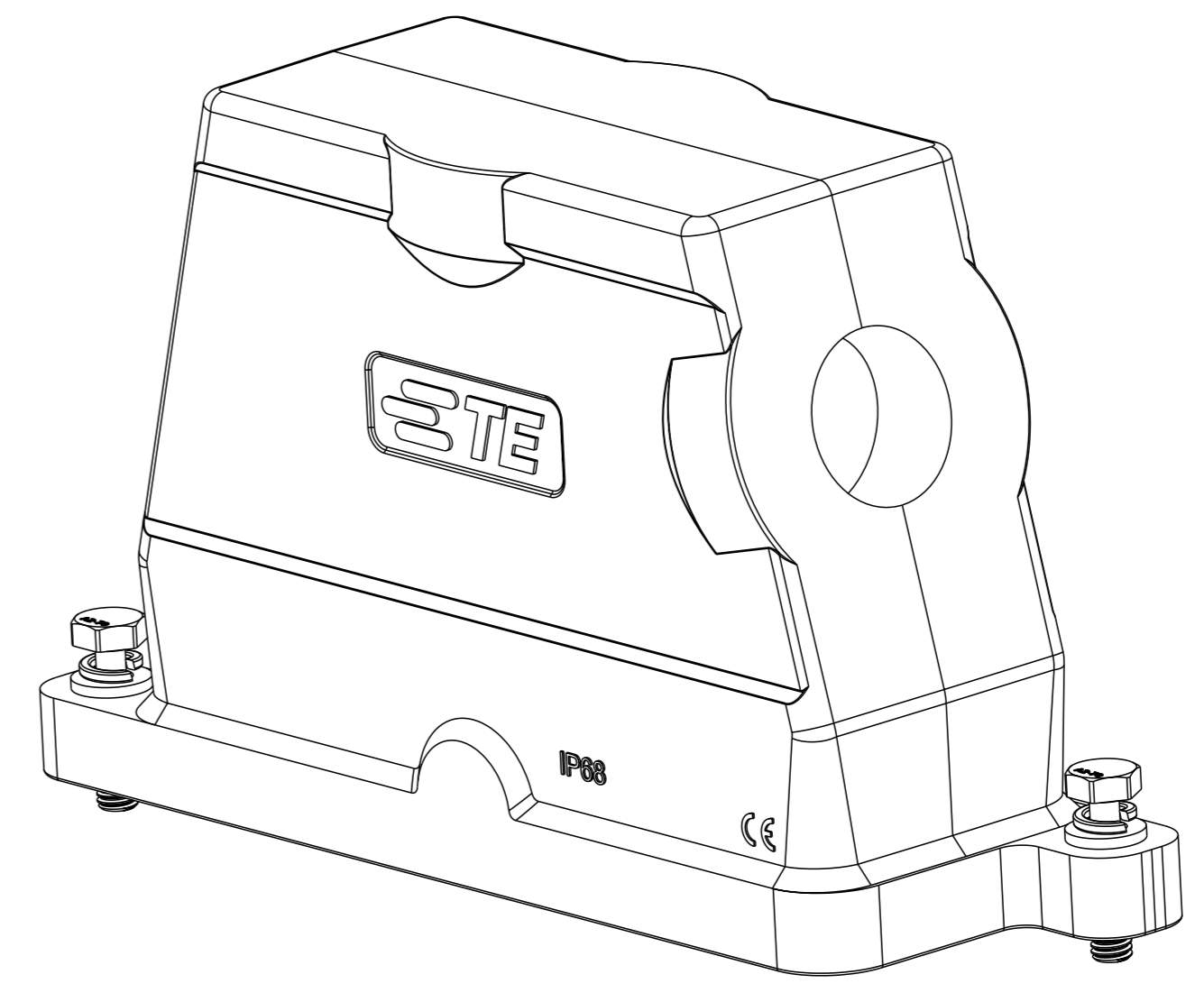
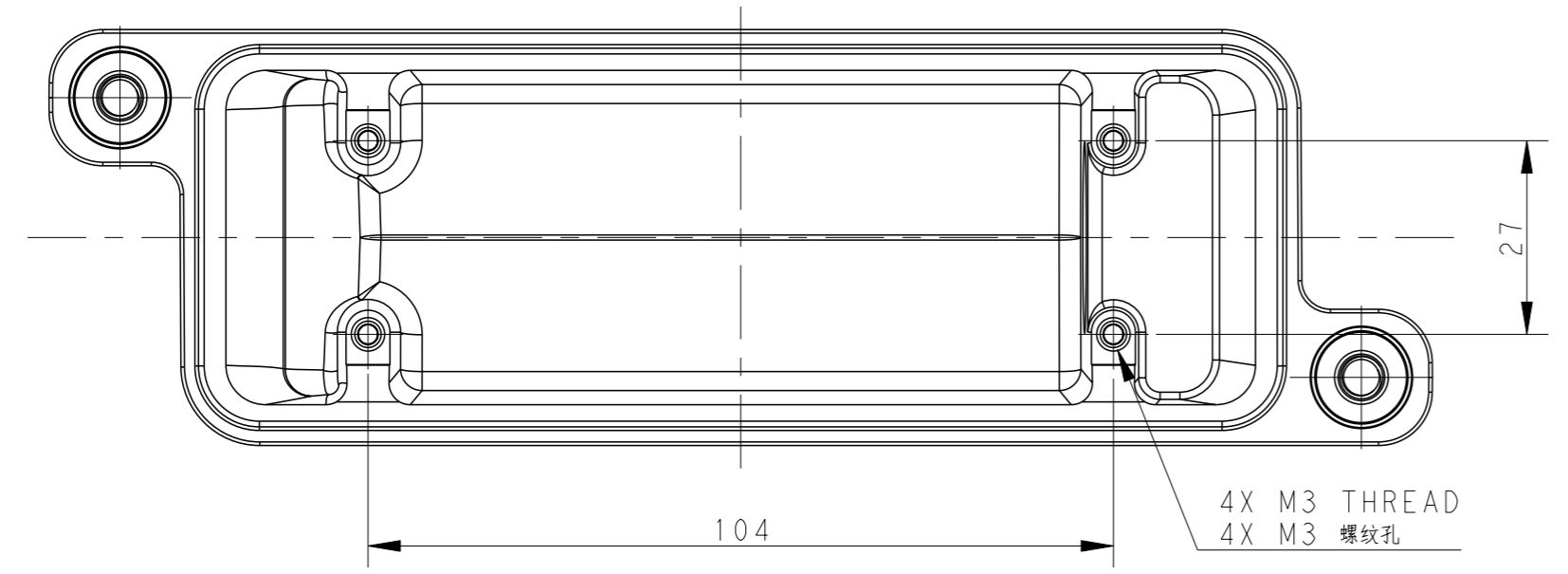
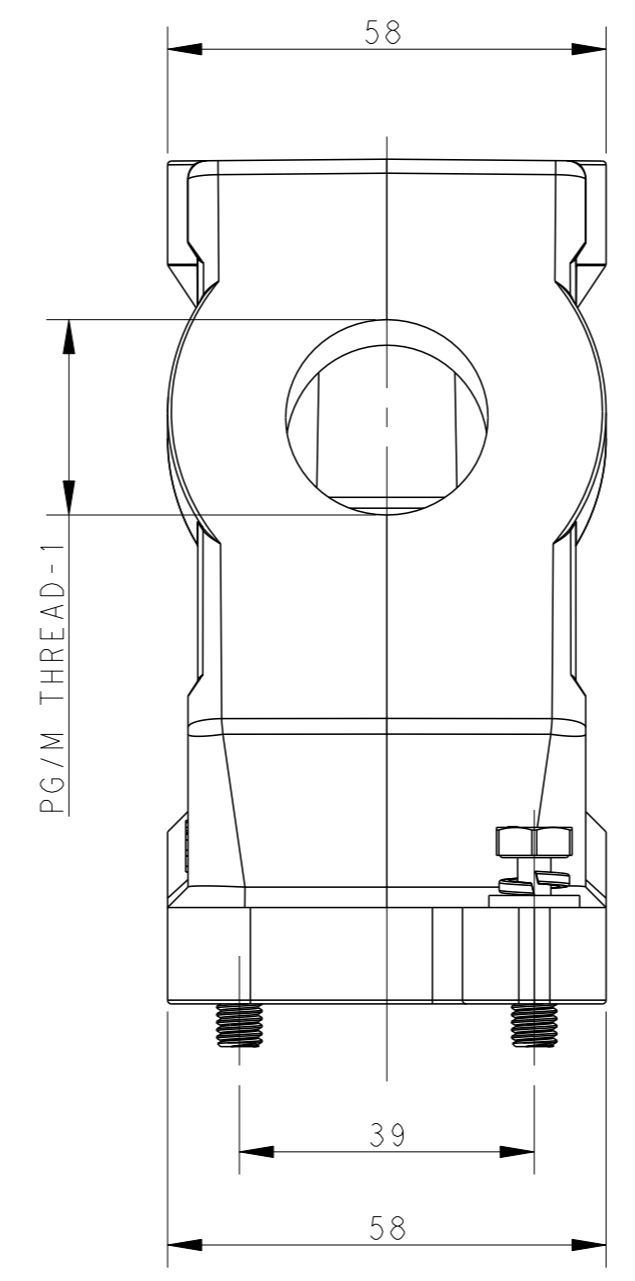
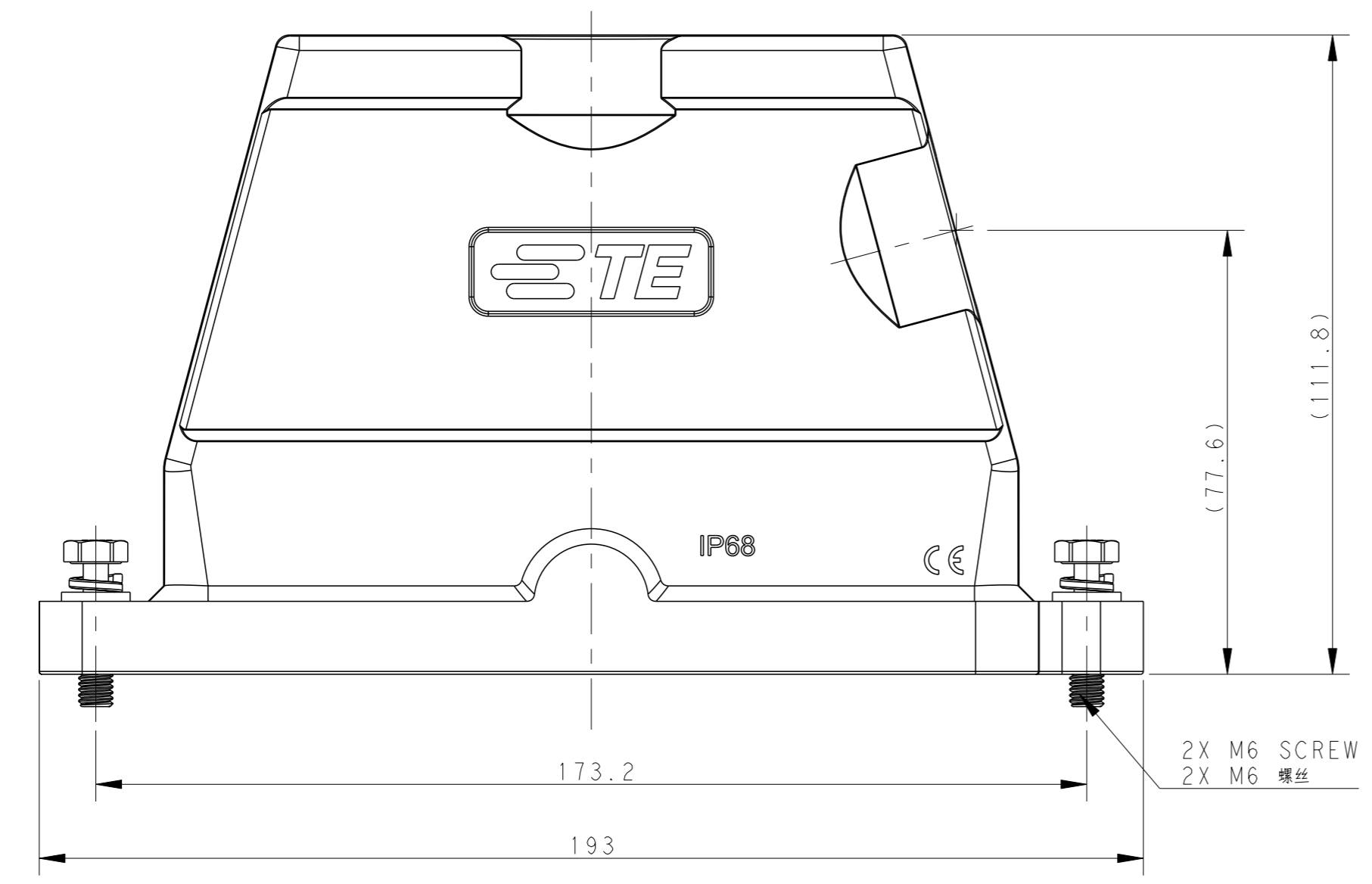


REVISIONS				
#	DATE	DESCRIPTION	DATE	APPV
A	26AUG2016	INITIAL RELEASE	DW	CW
B	03JUN2021	ECR-20-016312	BS	CW



NOTES:
 1. TECHNICAL CHARACTERISTICS:
 HOOD MATERIAL: DIE CAST ALUMINIUM ALLOY
 SURFACE: SEE TABLE
 DEGREE OF PROTECTION: IP68 (MATED)

注释:
 1. 技术参数:
 壳体材料: 铝合金
 表面处理: 见表格
 防护等级: IP68 (配合)

PART NUMBER 料号	DESCRIPTION 描述	PG/M THREAD-1 PG/M 螺纹-1
T1910241140-009	H24BPR-TSH-M40-EMC-C H24BPR HOOD, DIAGONAL LOCKING, SIDE ENTRY M40, POWDER COATED, SILVER WHITE H24BPR对角锁定侧出上壳M40 银白色	M40
T1910241136-009	H24BPR-TSH-PG36-EMC-C H24BPR HOOD, DIAGONAL LOCKING, SIDE ENTRY PG36, POWDER COATED, SILVER WHITE H24BPR对角锁定侧出上壳PG36 银白色	PG36
T1910241132-009	H24BPR-TSH-M32-EMC-C H24BPR HOOD, DIAGONAL LOCKING, SIDE ENTRY M32, POWDER COATED, SILVER WHITE H24BPR对角锁定侧出上壳M32 银白色	M32
T1910241129-009	H24BPR-TSH-PG29-EMC-C H24BPR HOOD, DIAGONAL LOCKING, SIDE ENTRY PG29, POWDER COATED, SILVER WHITE H24BPR对角锁定侧出上壳PG29 银白色	PG29
T1910241125-009	H24BPR-TSH-M25-EMC-C H24BPR HOOD, DIAGONAL LOCKING, SIDE ENTRY M25, POWDER COATED, SILVER WHITE H24BPR对角锁定侧出上壳M25 银白色	M25
T1910241121-009	H24BPR-TSH-PG21-EMC-C H24BPR HOOD, DIAGONAL LOCKING, SIDE ENTRY PG21, POWDER COATED, SILVER WHITE H24BPR对角锁定侧出上壳PG21 银白色	PG21
T1910240140-009	H24BPR-TSH-M40-EMC-C H24BPR HOOD, DIAGONAL LOCKING, SIDE ENTRY M40, POWDER COATED, BLACK H24BPR对角锁定侧出上壳M40 黑色	M40
T1910240136-009	H24BPR-TSH-PG36-EMC-C H24BPR HOOD, DIAGONAL LOCKING, SIDE ENTRY PG36, POWDER COATED, BLACK H24BPR对角锁定侧出上壳PG36 黑色	PG36
T1910240132-009	H24BPR-TSH-M32-EMC-C H24BPR HOOD, DIAGONAL LOCKING, SIDE ENTRY M32, POWDER COATED, BLACK H24BPR对角锁定侧出上壳M32 黑色	M32
T1910240129-009	H24BPR-TSH-PG29-EMC-C H24BPR HOOD, DIAGONAL LOCKING, SIDE ENTRY PG29, POWDER COATED, BLACK H24BPR对角锁定侧出上壳PG29 黑色	PG29
T1910240125-009	H24BPR-TSH-M25-EMC-C H24BPR HOOD, DIAGONAL LOCKING, SIDE ENTRY M25, POWDER COATED, BLACK H24BPR对角锁定侧出上壳M25 黑色	M25
T1910240121-009	H24BPR-TSH-PG21-EMC-C H24BPR HOOD, DIAGONAL LOCKING, SIDE ENTRY PG21, POWDER COATED, BLACK H24BPR对角锁定侧出上壳PG21 黑色	PG21

THIS DRAWING IS A CONTROLLED DOCUMENT.

DAVID WANG 26AUG2016	DAVID WANG 26AUG2016	DAVID WANG 26AUG2016	DAVID WANG 26AUG2016
CHRIS WANG 26AUG2016	CHRIS WANG 26AUG2016	CHRIS WANG 26AUG2016	CHRIS WANG 26AUG2016
YIANG XU 26AUG2016	YIANG XU 26AUG2016	YIANG XU 26AUG2016	YIANG XU 26AUG2016

STE TE Connectivity

NAME: H24BPR-TSH-PG/M-EMC-C

PRODUCT SPEC: 108-137191

APPLICATION SPEC: 114-137191

SCALE: 1:1 SHEET 1 OF 1

Printed on 7 Jun 2021 15:30 (China Standard Time) from T1910241136

单击下面可查看定价，库存，交付和生命周期等信息

[>>TE Connectivity\(泰科\)](#)