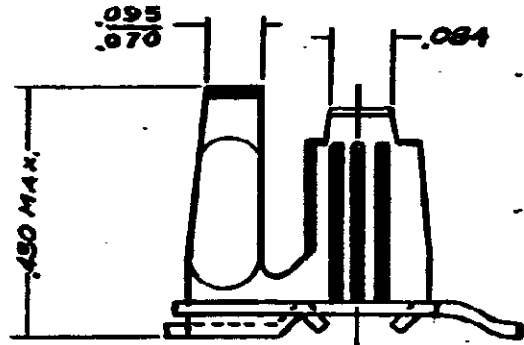
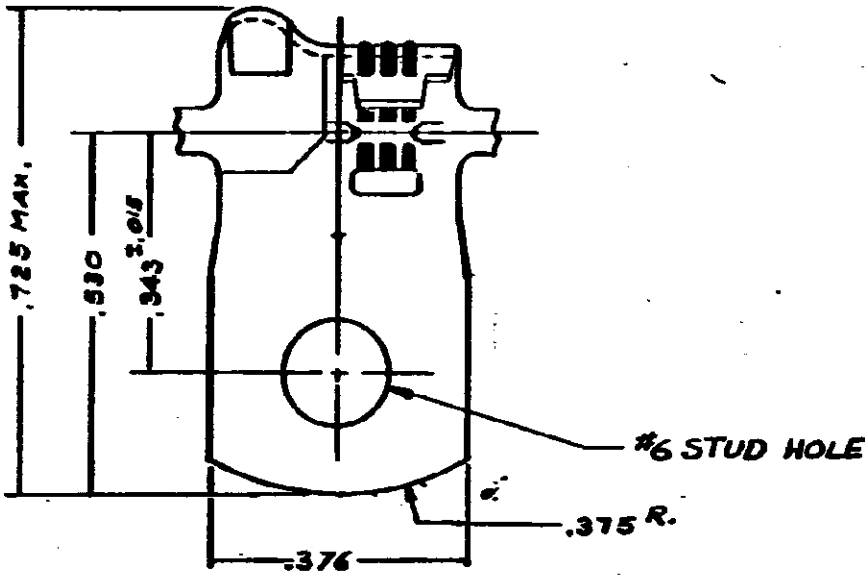



 SUPPLEMENT TO
42189

USED ON



REV.	NO.	DATE	BY	REASON
1				
2				
3	X			
4				
5				
6				
7				
8				
9				
10				
11				
12				
13				
14				
15				
16				
17				
18				
19				
20				
21				
22				
23				
24				
25				
26				
27				
28				
29				
30				
31				
32				
33				

MATERIAL: .0176 COMM. BRASS
 FINISH: 42189-1 TIN

© THE 2 BY AMP INCORPORATED
 AMP PRODUCTS COVERED BY PATENTS
 AND/OR PATENTS PENDING.

CUSTOMER DRAWING

AMP INCORPORATED
 AUTOMATIC MACHINE DIVISION
 HARRISBURG, PENNA.

167
FLAG KING

WIRE RANGE #18 - #12
 INSULATION RANGE .110 - .210
 TOLERANCES- ALL DIMENSIONS ±.010, EXCEPT AS NOTED.

NO. **01 RESTORATION** ALTERATION DATE **8-85** BY **[Signature]** E.C.R.

SCALE: **4-1** SUPPLEMENT TO **42189**

D. GILKELI 5-22-59 D.E. J. HENDBLET 5-22-59
 C.L. DILLIPLANE 5-22-59 W.F. E.S. DILLIPLANE

单击下面可查看定价，库存，交付和生命周期等信息

[>>TE Connectivity\(泰科\)](#)