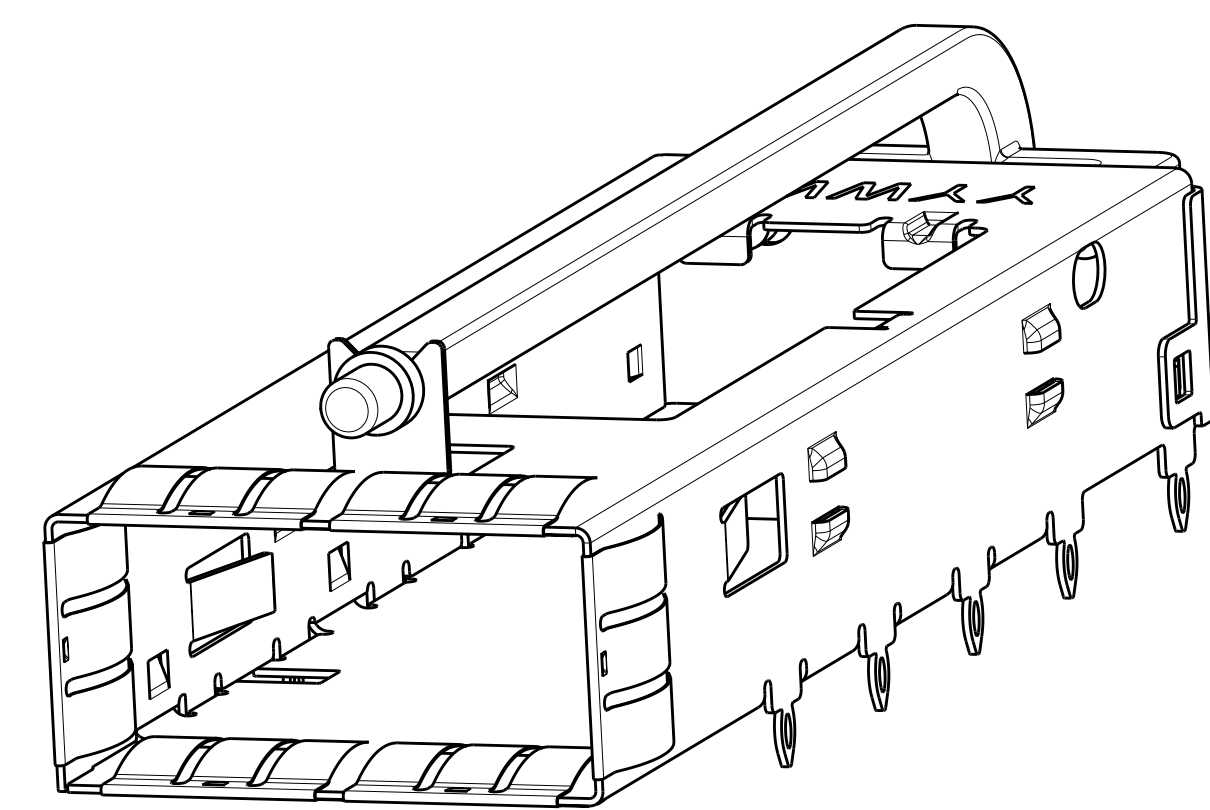
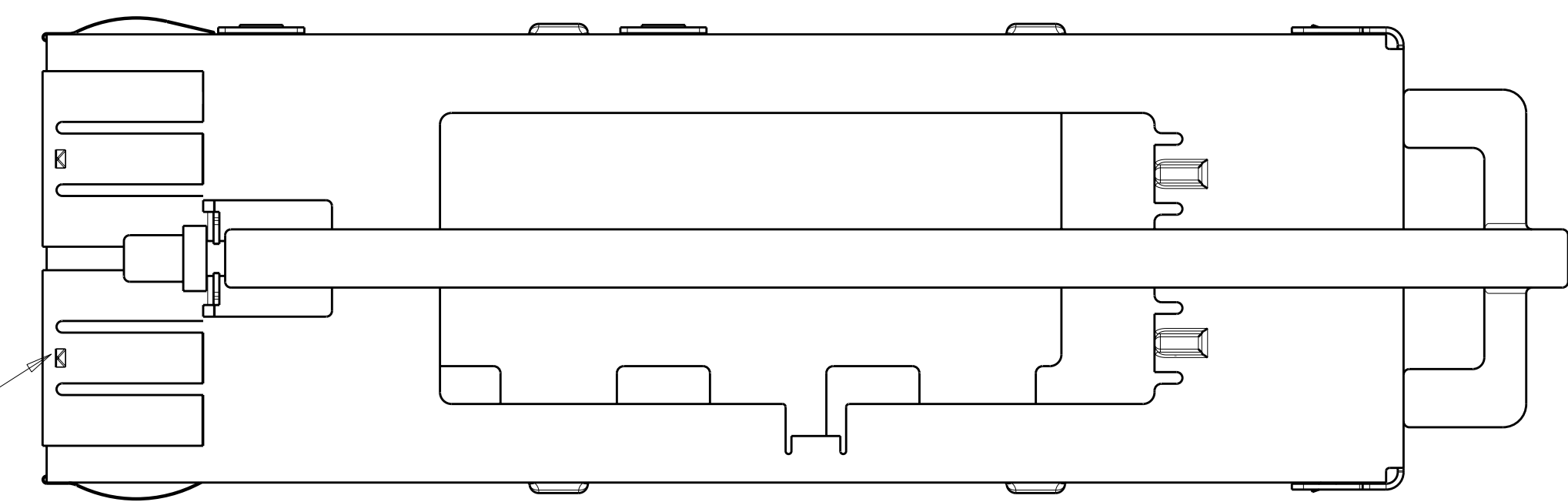


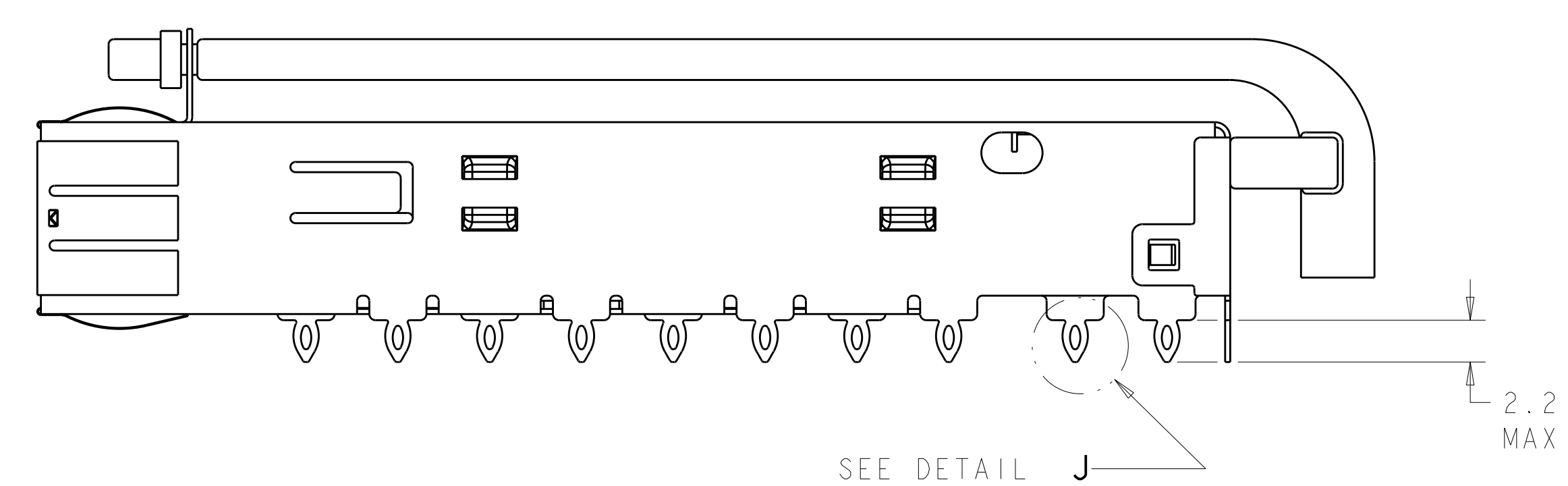
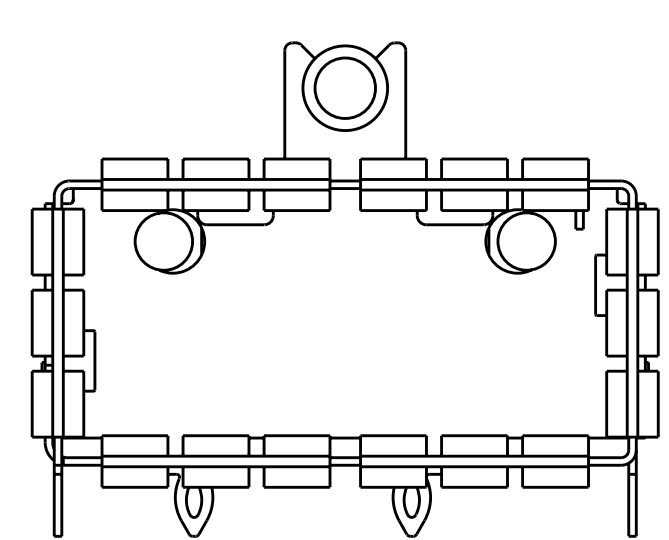
LOC	DIST	REV	DATE	BY	APPD
GP	00	1	31MAR2010	CJV	JRP



Sn42Bi58 SOLDER
6 PLACES

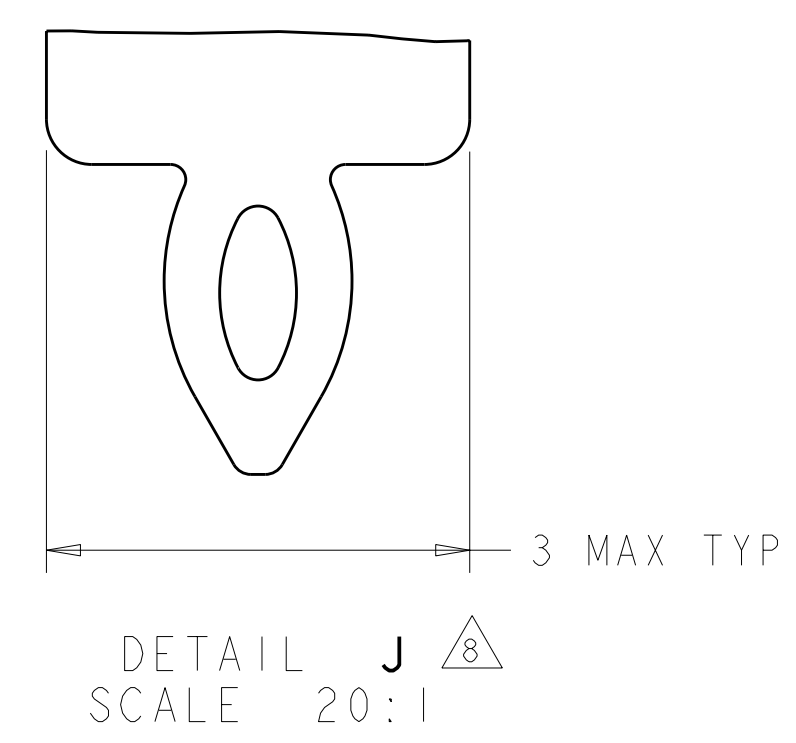


- 1. CAGE MATERIAL: NICKEL SILVER, 0.25 THICK
 LIGHT PIPE MATERIAL: CLEAR POLYCARBONATE, UL-94V-2 RATED.
 EMI SPRING MATERIAL: COPPER ALLOY
- 2. MINIMUM PITCH DIMENSION.
- 3. MATES WITH QSFP MSA COMPATIBLE TRANSCEIVER.
- 4. REFERENCE APPLICATION SPEC 114-13217 FOR RECOMMENDED DRILL HOLE DIAMETER AND PLATING THICKNESS.
- 5. DATUMS AND BASIC DIMENSIONS ESTABLISHED BY CUSTOMER.
- 6. MINIMUM PC BOARD THICKNESS:
 SINGLE SIDED = 1.45mm (shown, pg. 4)
 DOUBLE SIDED = 2.2mm
- 7. DATUM **-A-** IS TOP SURFACE OF HOST BOARD.
- 8. SURFACE TRACES PERMITTED WITHIN THIS AREA EXCEPT WHERE CAGE STANDOFFS, SHOWN IN DETAIL J, CONTACT PC BOARD.
- 9. MAXIMUM HEIGHT OF CUSTOMER SUPPLIED LED OFF PC BOARD: 1.70mm.
- 10. DATE CODE (YYWWD) MARKED ON TOP OF CAGE APPLIES TO CAGE ASSEMBLY ONLY.
- 11. SPRING FINISH: 0.8µm MIN TIN OVER 0.8µm MIN NICKEL. NON-PLATED EDGES PERMISSIBLE.
- 12. PRODUCT HAS NOT COMPLETED QUALIFICATION TESTING.
- 13. CAGE ASSEMBLY MAY BE PRESSED INTO THE PCB AS SHIPPED. LIGHT PIPE MUST BE ASSEMBLED BY CUSTOMER AFTER THE CAGE IS SEATED ON THE PCB.

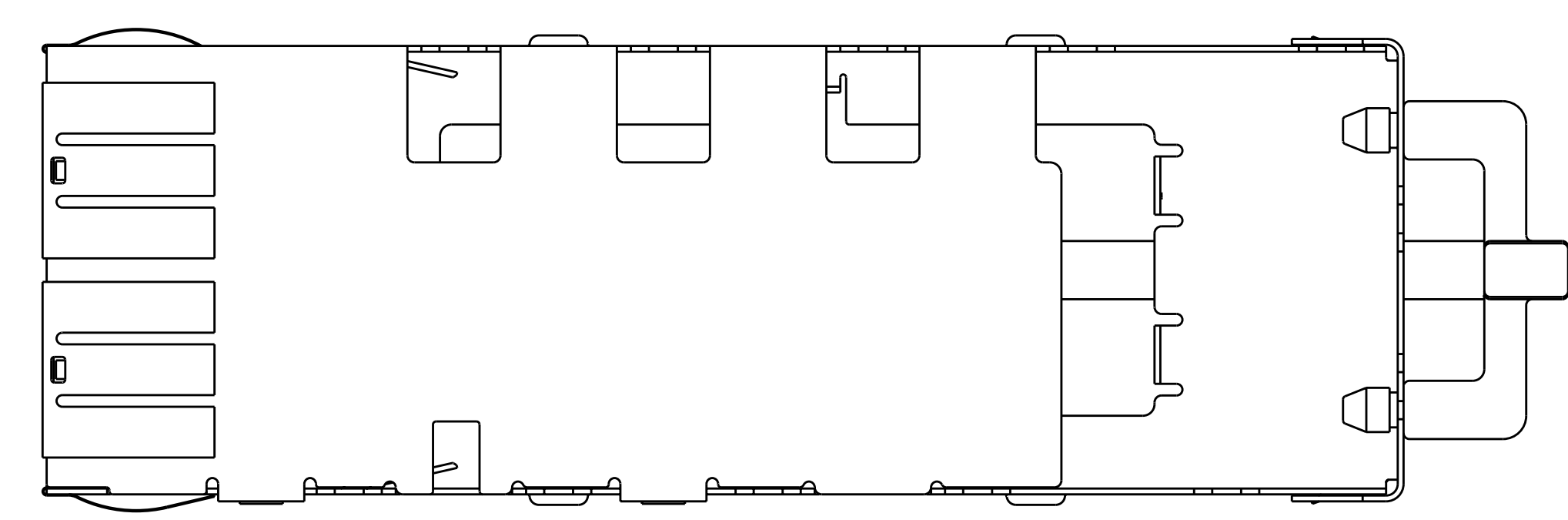


SEE DETAIL J

2.2 MAX



DETAIL J
SCALE 20:1

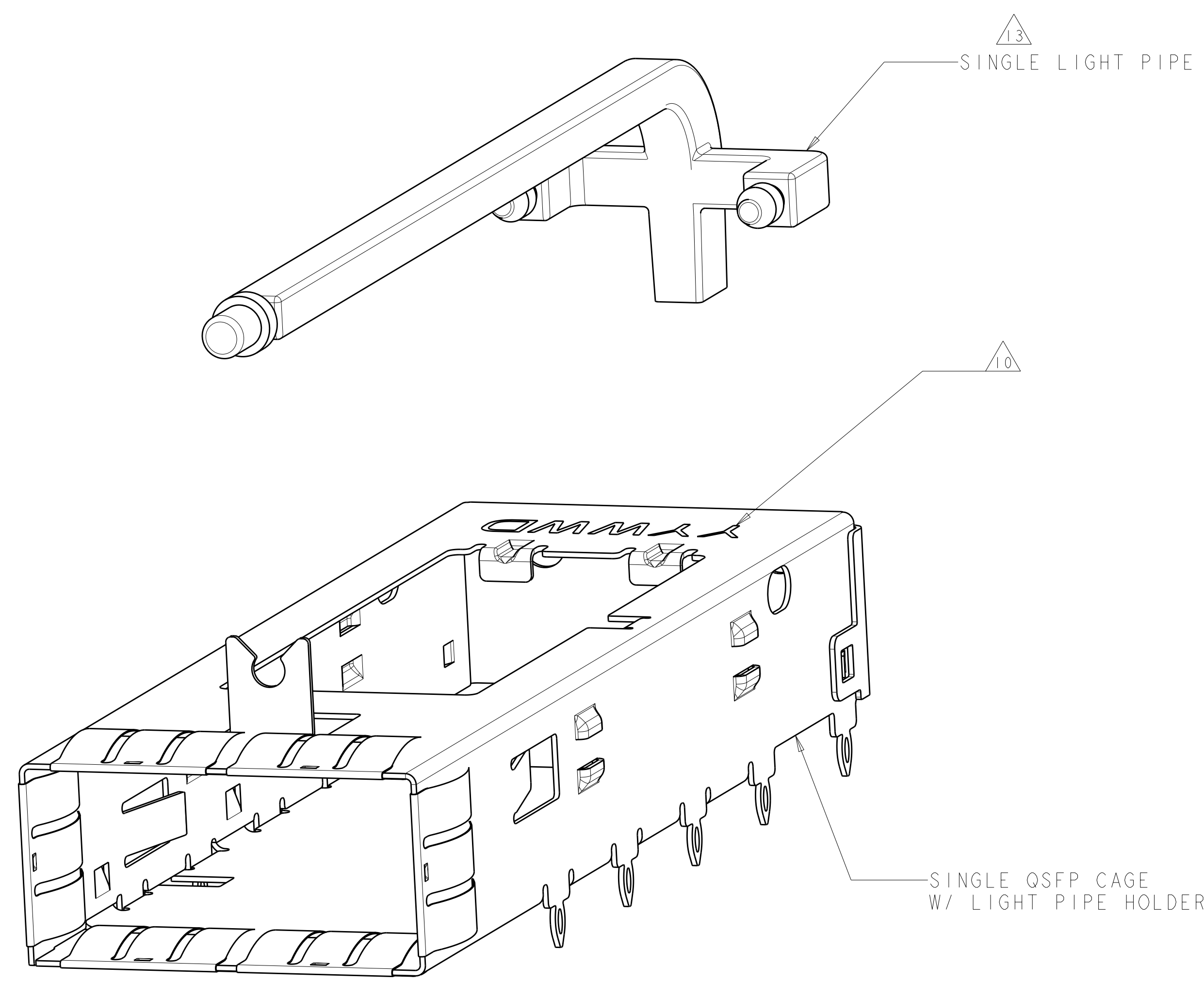


THIS PRINT IS
PRELIMINARY
UNQUALIFIED PRODUCT
CONTACT PRODUCT ENGINEERING
BEFORE USING THIS PRINT

2143432-1
PART NUMBER

DIMENSIONS: mm 		TOLERANCES UNLESS OTHERWISE SPECIFIED: 9 PLC ±.5 1 PLC ±0.5 2 PLC ±0.13 3 PLC ±0.013 4 PLC ±0.0001 ANGLES ±.1		DWN C. VALENTINE 31MAR2010 CHK J. PETERSON 31MAR2010 APVD J. PETERSON 31MAR2010		Tyco Electronics Harrisburg, PA 17105-3608	
MATERIAL 		FINISH 		PRODUCT SPEC 108-2286 APPLICATION SPEC 114-13217 WEIGHT CUSTOMER DRAWING		NAME CAGE ASSEMBLY, THRU BEZEL, QSFP, W/ SINGLE LIGHT PIPE SIZE CAGE CODE DRAWING NO RESTRICTED TO A100779C=2143432 SCALE 4:1 SHEET 1 OF 4 REV	

LOC	DIST	REVISIONS			
P	LTB	DESCRIPTION	DATE	DWN	APVD
GP	00	SEE SHEET 1	-	-	-

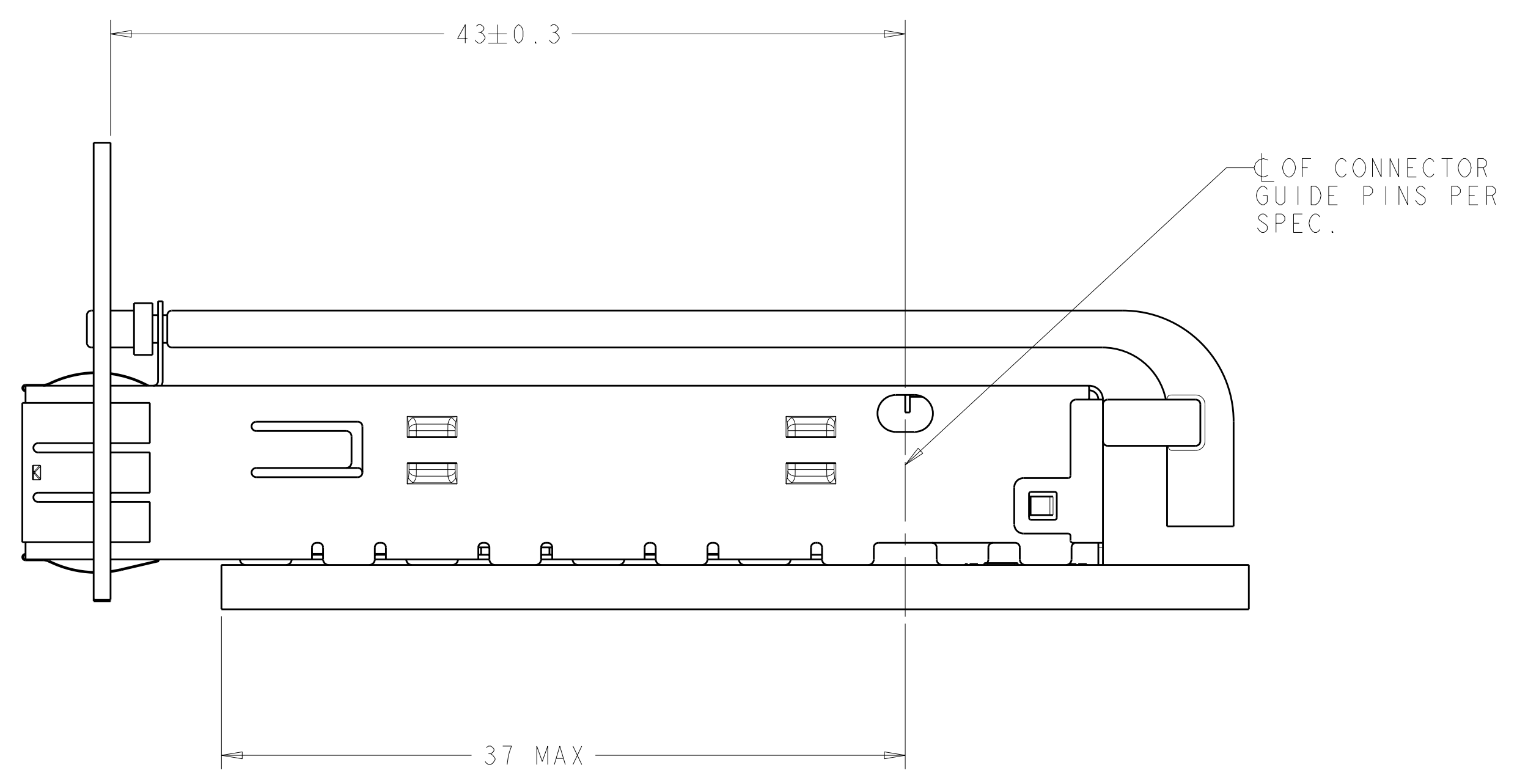
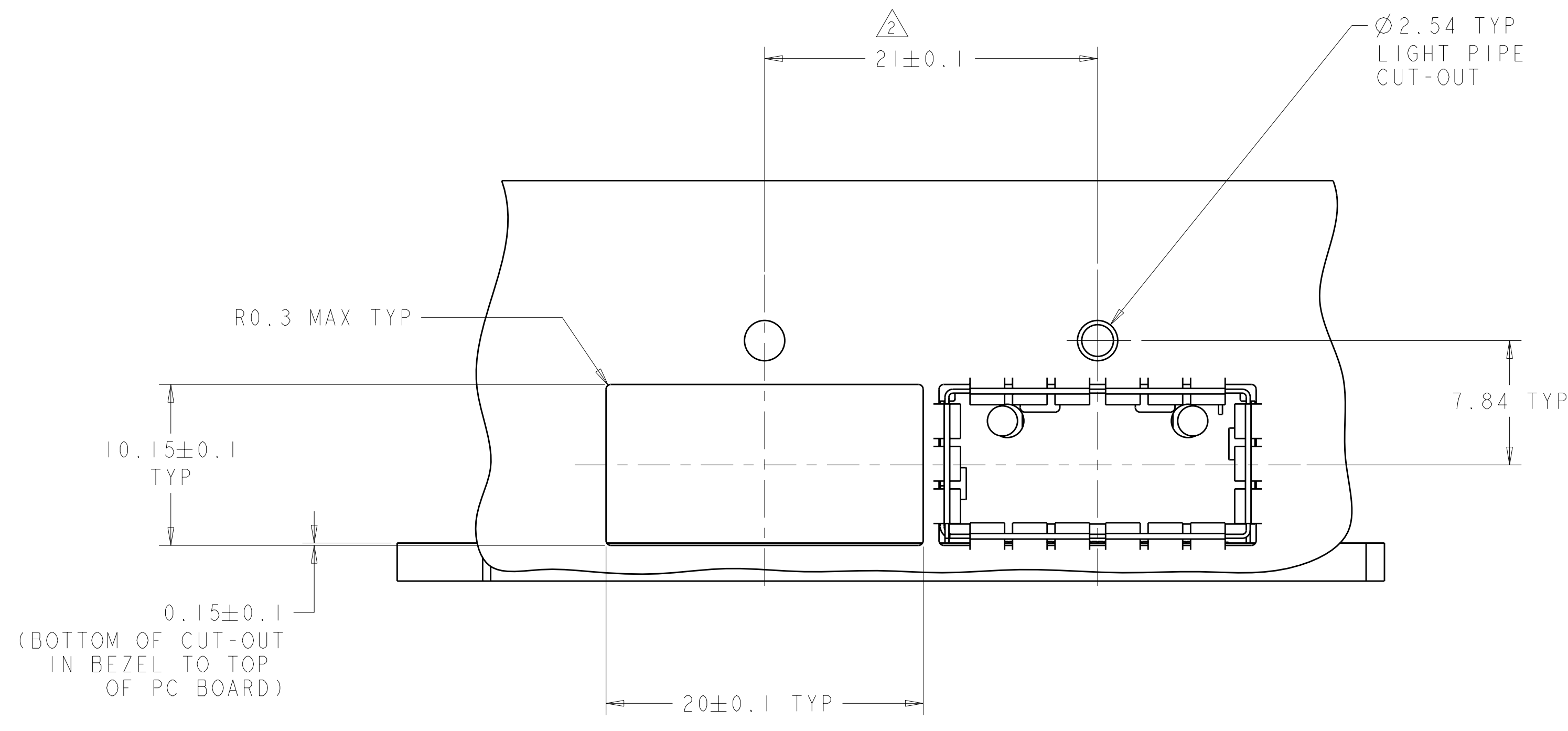


EXPLODED ISOMETRIC VIEW
 SCALE 6:1

THIS PRINT IS
PRELIMINARY
 UNQUALIFIED PRODUCT
 CONTACT PRODUCT ENGINEERING
 BEFORE USING THIS PRINT

<small>THIS DRAWING IS UNPUBLISHED. RELEASED FOR PUBLICATION 2007. THIS IS SUBJECT TO CHANGE WITHOUT NOTICE AND WITHOUT OBLIGATION. SHOULD BE CONTACTED FOR THE LATEST REVISION.</small>		DWN C. VALENTINE 31MAR2010 CHK J. PETERSON 31MAR2010 APVD J. PETERSON 31MAR2010	Tyco Electronics Harrisburg, PA 17105-3608
DIMENSIONS: mm 	TOLERANCES UNLESS OTHERWISE SPECIFIED: 0 PLC ± 1 PLC ±0.5 2 PLC ±0.13 3 PLC ±0.013 4 PLC ±0.001 ANGLES ±	NAME PRODUCT SPEC APPLICATION SPEC 108-2286 114-13217 WEIGHT CUSTOMER DRAWING	NAME CAGE ASSEMBLY, THRU BEZEL, QSFP, W/ SINGLE LIGHT PIPE SIZE CAGE CODE DRAWING NO A100779C=2143432 RESTRICTED TO
MATERIAL	FINISH	SCALE 4:1	SHEET 2 OF 4 REV 1

LOC	DIST	REVISIONS			
P	LTG	DESCRIPTION	DATE	DWN	APVD
-	-	SEE SHEET 1	-	-	-

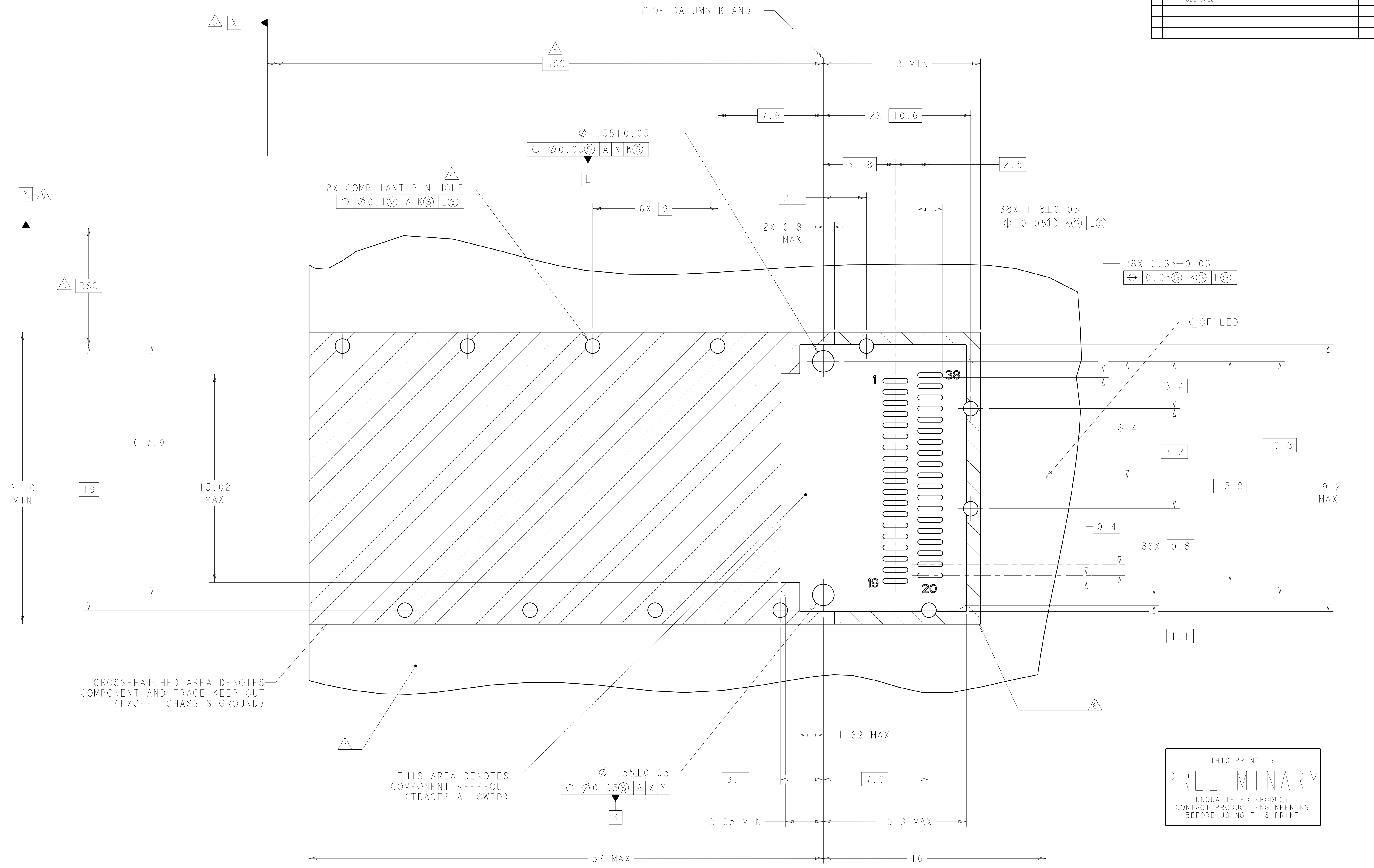


RECOMMENDED BEZEL CUTOUT AND LOCATION

THIS PRINT IS
PRELIMINARY
 UNQUALIFIED PRODUCT
 CONTACT PRODUCT ENGINEERING
 BEFORE USING THIS PRINT

<small>THIS DRAWING IS UNPUBLISHED. RELEASED FOR PUBLICATION 2007. THIS IS SUBJECT TO CHANGE WITHOUT NOTICE AND WITHOUT OBLIGATION. SHOULD BE CONTACTED FOR THE LATEST REVISION.</small>		DWN C. VALENTINE 31MAR2010 CHK J. PETERSON 31MAR2010 APVD J. PETERSON 31MAR2010	Tyco Electronics Harrisburg, PA 17105-3608
DIMENSIONS: mm 	TOLERANCES UNLESS OTHERWISE SPECIFIED: 0 PLC ± 1 PLC ±0.5 2 PLC ±0.13 3 PLC ±0.013 4 PLC ±0.001 ANGLES ±	NAME: CAGE ASSEMBLY, THRU BEZEL, OSFP, W/ SINGLE LIGHT PIPE PRODUCT SPEC: 108-2286 APPLICATION SPEC: 114-13217 WEIGHT: - CUSTOMER DRAWING	SIZE: A100779 CAGE CODE: C=2143432 SCALE: 4:1 SHEET: 3 OF 4 REV: 1

LOC	DIST	REV	DATE	BY	APPD
GP	00	1			
DESCRIPTION			DATE	BY	APPD
SEE SHEET 1					



THIS PRINT IS
PRELIMINARY
 UNQUALIFIED PRODUCT
 CONTACT PRODUCT ENGINEERING
 BEFORE USING THIS PRINT

RECOMENDED PC BOARD LAYOUT
 SCALE 8:1

DIMENSIONS:		TOLERANCES UNLESS OTHERWISE SPECIFIED:		DWN		Tyco Electronics	
mm	9 PLC ±0.5	9 PLC ±0.5	3	C. VALENTINE	31MAR2010	Tyco Electronics Harrisburg, PA 17105-3608	
	2 PLC ±0.13	2 PLC ±0.13	4	J. PETERSON	31MAR2010	NAME CAGE ASSEMBLY, THRU BEZEL, OSFP, W/ SINGLE LIGHT PIPE	
	5 PLC ±0.013	5 PLC ±0.013	5	J. PETERSON	31MAR2010	PRODUCT SPEC 108-2286	
	4 PLC ±0.0001	4 PLC ±0.0001	6			APPLICATION SPEC 114-13217	
	ANGLES ±0.0001	ANGLES ±0.0001	7			SIZE CAGE CODE DRAWING NO A1100779C=2143432	
MATERIAL	FINISH	FINISH	8			RESTRICTED TO	
						CUSTOMER DRAWING	
				SCALE 4:1		SHEET 4 OF 4 REV	

单击下面可查看定价，库存，交付和生命周期等信息

[>>TE Connectivity\(泰科\)](#)