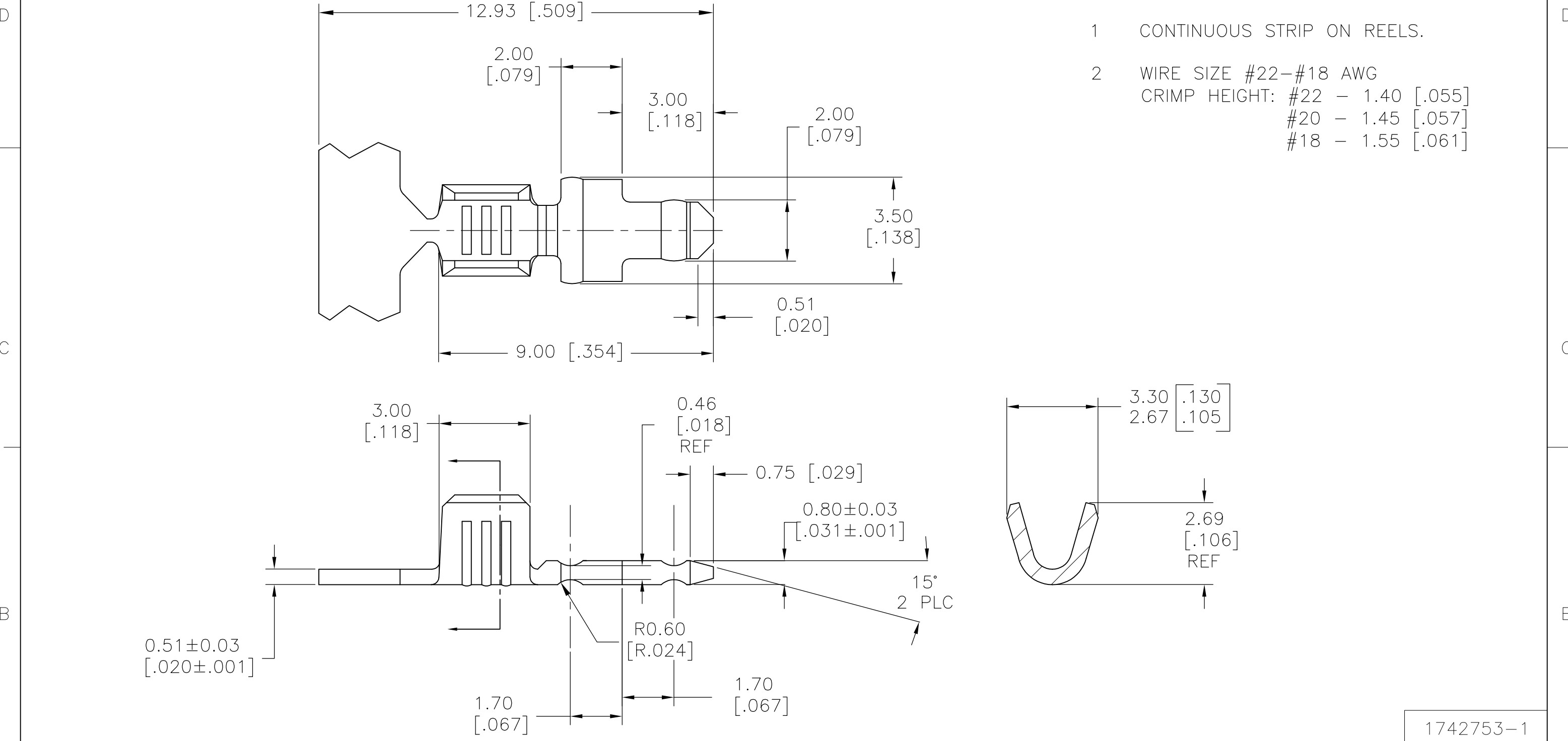



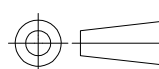
THIS DRAWING IS UNPUBLISHED. RELEASED FOR PUBLICATION
 © COPYRIGHT - By - ALL RIGHTS RESERVED.

LOC	DIST	REVISIONS			
P	LTR	DESCRIPTION	DATE	DWN	APVD
AF	50	B	REVISED PER ECR-13-011489	11DEC2013	KH PD



- 1 CONTINUOUS STRIP ON REELS.
- 2 WIRE SIZE #22-#18 AWG
 CRIMP HEIGHT: #22 - 1.40 [.055]
 #20 - 1.45 [.057]
 #18 - 1.55 [.061]

1742753-1
 PART NO

THIS DRAWING IS A CONTROLLED DOCUMENT.		DWN jr_ruth 10NOV08	 TE Connectivity				
DIMENSIONS: mm [INCHES]		CHK KURT RANDOLPH 10NOV08					
TOLERANCES UNLESS OTHERWISE SPECIFIED: 0 PLC ± - 1 PLC ± - 2 PLC ± 0.10 [.004] 3 PLC ± - 4 PLC ± - ANGLES ± 5°		APVD KURT RANDOLPH 10NOV08	NAME				
		PRODUCT SPEC	TAB, FASTON, 2mm [.079]				
MATERIAL BRASS		FINISH TIN PLATE	APPLICATION SPEC 114-2036	SIZE A3	CAGE CODE 00779	DRAWING NO C-1742753	RESTRICTED TO
CUSTOMER DRAWING			WEIGHT -	SCALE 8:1	SHEET 1 OF 1	REV B	

单击下面可查看定价，库存，交付和生命周期等信息

[>>TE Connectivity\(泰科\)](#)