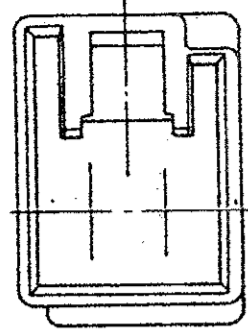


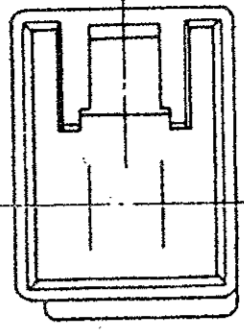
DWG. NO 281866

Tabella Posiz. Polarizzazione/Part Number..Viste Frontali da G.

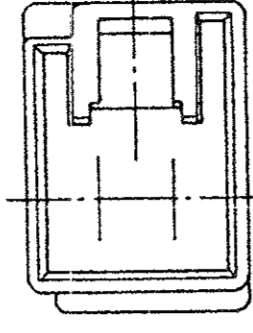
(Polarization configuration table / Part Number - View from G.)



281866 -1



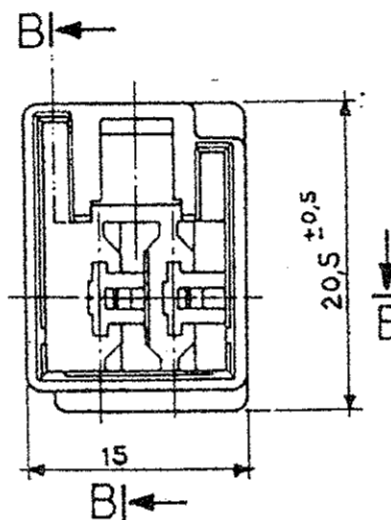
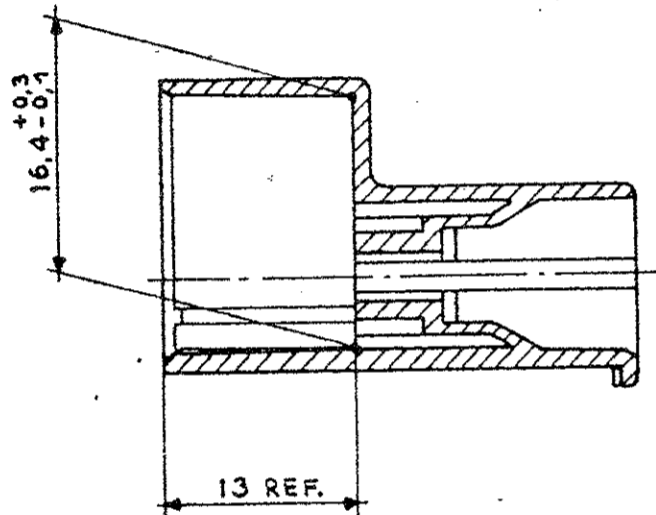
281866 -2



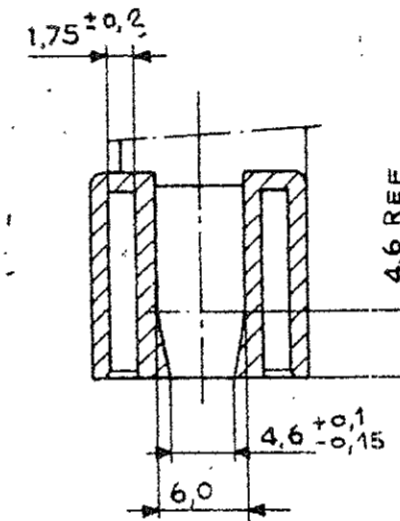
281866 -3

| | | | | | |
|--------------------|--|---------|--|------------------------|--|
| DO NOT SCALE | | METRIC | | THIRD ANGLE PROJECTION | |
| DIMENSIONS IN mm | | | | | |
| QTY REQ'D PER ASSY | | PART NO | | PART LIST | |
| | | | | DESCRIPTION | |
| | | | | ITEM NO | |

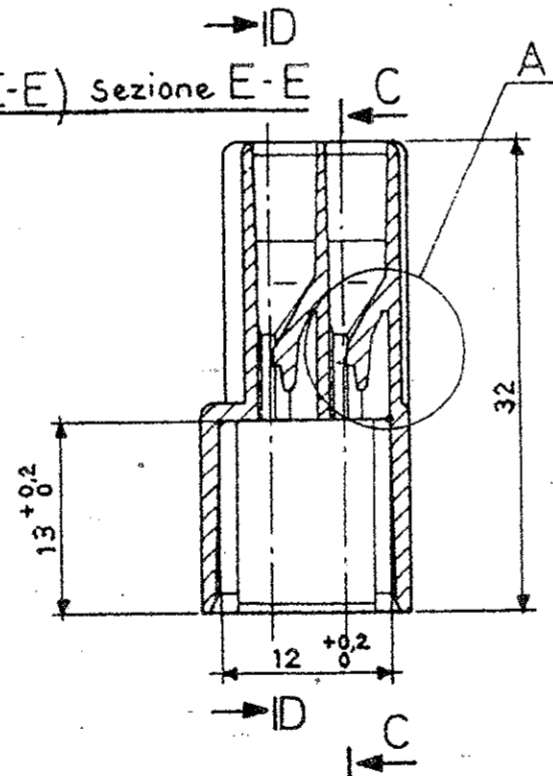
Sezione B-B (Section B-B)



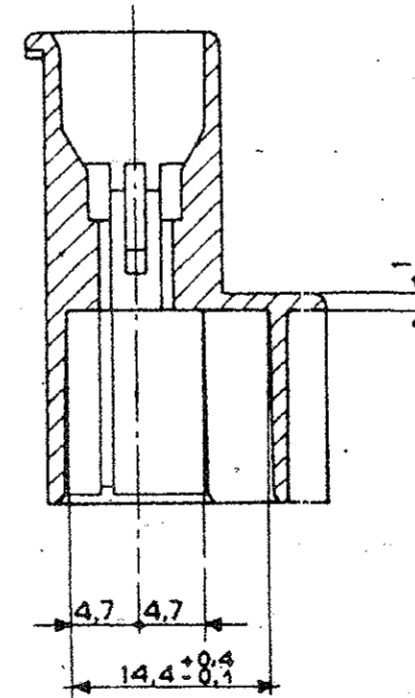
Sezione F-F (Section F-F)



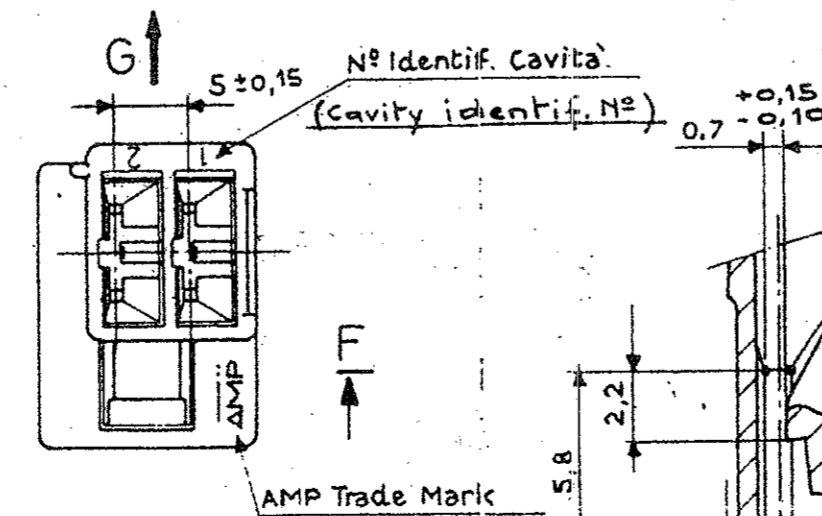
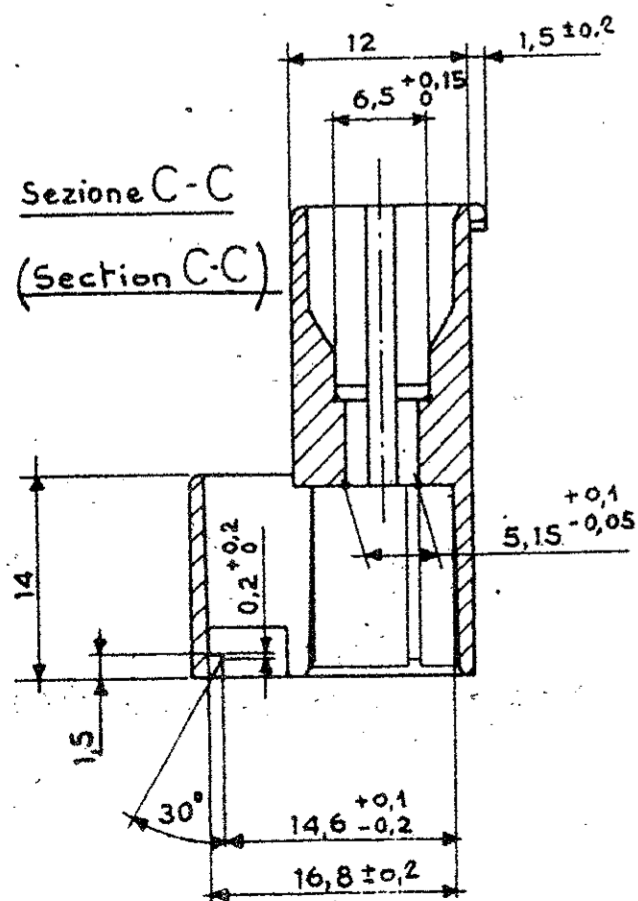
(Section E-E) Sezione E-E



Sezione D-D (Section D-D)



Sezione C-C (Section C-C)



Dettaglio A (Detail A)

| | | |
|-------------------------------------|---|----------------------|
| Nero (BLACK) | | 281866 -3 |
| Marrone (BROWN) | | 281866 -2 |
| Naturale (CLEAR) | PA 6.6 30% car.Vetro (PA6.6 30% Glass filler) | 281866 -1 |
| FINITURA / COLORE (FINISH / COLOUR) | MATERIALE (MATERIAL) | NUMERO (PART NUMBER) |

CUSTOMER DWG. FOR REFERENCE ONLY **DISEGNO PER CLIENTE SOLO PER RIFERIMENTO**

RELEASE FOR PUBLICATION 1987
 © COPYRIGHT 1987 BY AMP INCORPORATED, HARRISBURG, PA ALL RIGHTS RESERVED
 RESERVED AMP PRODUCTS MAY BE COVERED BY U.S. AND FOREIGN PATENT AND/OR PENDING

| | | | | | | | |
|------------------------------|--|---------------------------------|--|----------------------------|--|---|--|
| NOTE | | FINISH / COLOUR | | MATERIAL | | PART NUMBER | |
| TOTAL SURFACE AREA SQ. mm | | WIRE RANGE | | UNLESS OTHERWISE SPECIFIED | | ANGLES ± 0° 30' | |
| DIE / MOULD NO | | INS. DIA RANGE | | 0 DEC. PLACE ± 0.3 | | 1 DEC. PLACE ± 0.1 | |
| DR O. CAHUTO (4th Apr. 1989) | | TRIMMING BURRS NOT TO EXCEED mm | | 2 DEC. PLACE ± 0.05 | | | |
| AMP Trade Mark | | AMP | | AMP ITALIA Sp.A. | | CORSO F.lli Cervi, 15 COLLEGNO (TORINO) | |
| B Dim. 12 was 12.1 | | O.C. | | NAME | | 5mm PITCH TAB HOUSING (2WAY) | |
| A Released for prod | | O.C. | | LOC | | SIZE DWG NO | |
| REV LTR | | REVISION RECORD | | E.C.N | | DR DATE | |
| | | SCALE | | I A2 | | C-281866 | |
| | | | | REV | | SHEET | |
| | | | | B | | 1 di 1 | |

PRODUCT RESTRICTED TO FIAT S.P.A. AND FIAT SUBSIDI. TRADE MARKS MAKERS

Downloaded From Oneyc.com

THIS INFORMATION IS CONFIDENTIAL AND IS DISCLOSED TO YOU ON CONDITION THAT NO FURTHER DISCLOSURE IS MADE BY YOU TO OTHER THAN AMP PERSONNEL WITHOUT WRITTEN AUTHORIZATION FROM AMP ITALIA S.p.A.

单击下面可查看定价，库存，交付和生命周期等信息

[>>TE Connectivity\(泰科\)](#)