

THIS DRAWING IS UNPUBLISHED.

RELEASED FOR PUBLICATION

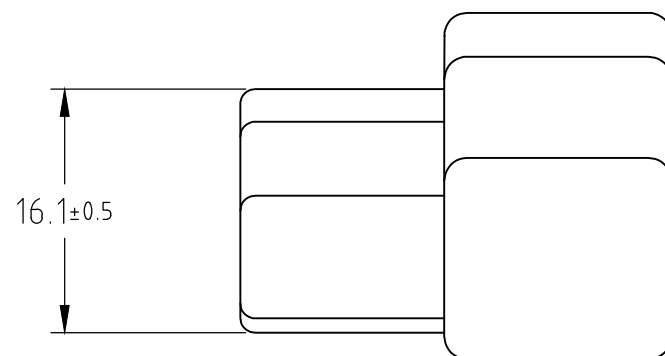
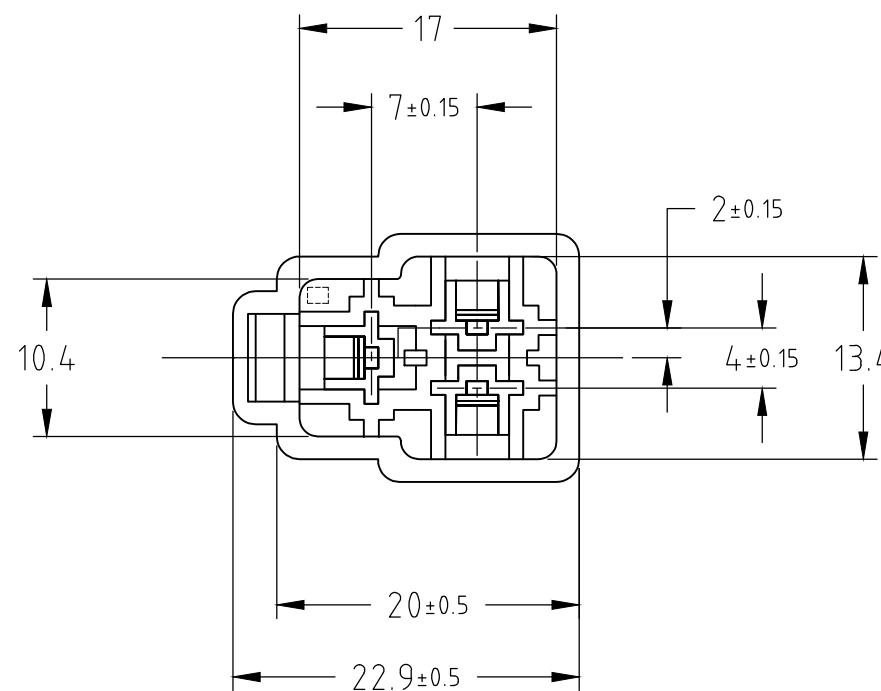
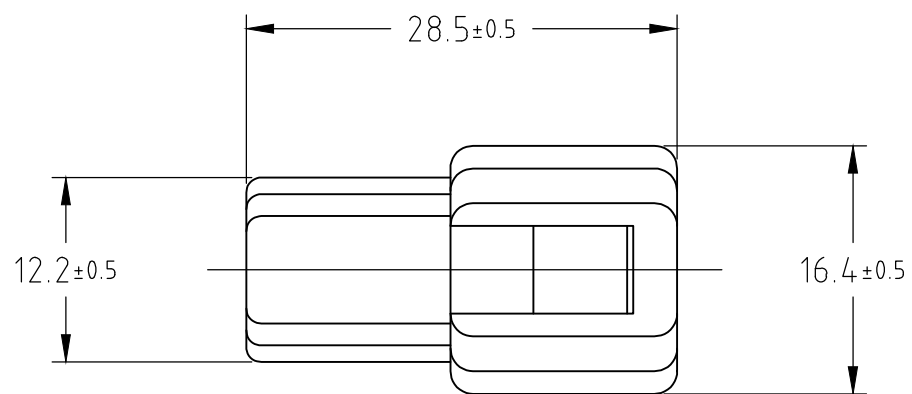
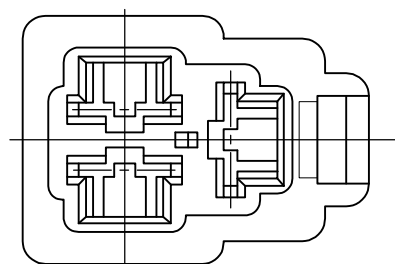
ALL RIGHTS RESERVED.

© COPYRIGHT - By -

REVISIONS

変更

P	LTR	DESCRIPTION	DATE	DWN	APVD
	E5	REVISED PER ECR-19-018127	10AUG20	AA	EW




Material	Color	Part Number
△4	NATURAL	1-172131-1
△5	OBSOLETE	6-172131-6
	OBSOLETE	-9
△5	OBSOLETE	-8
	OBSOLETE	-7
	GRAY	-6
	BLUE	-5
	OBSOLETE	4
△5	OBSOLETE	-3
	BLACK	-2
△3	NATURAL	172131-1
△3	NATURAL	172131-1

注記

- 1. かん合する相手ハウジングは型番172132
- 2. 使用端子は型番170340,170341,170349
- △3 材料：6/6ナイロン（UL94V-2）
- △4 材料：6/6ナイロン（UL94V-0）

NOTES

- 1. THE MATING PLUG HOUSING P/N : 172132
- 2. APPLIED CONTACT P/N : 170340,170341,170349
- △3 MATERIAL : 6/6NYLON (UL94V-2)
- △4 MATERIAL : 6/6NYLON (UL94V-0)
- △5 OBSOLETE PARTS: OBSOLETE CIS STREAMLINING PER D.RENAUD/D.SINISI

THIS DRAWING IS A CONTROLLED DOCUMENT.		DWN J.SATO 14OCT2008	 TE Connectivity 250 SERIES HOUSING LANCE CONNECTOR 3POS CAP HOUSING					
DIMENSIONS: 単位： 耗 mm		CHK S.MANABE 14OCT2008				NAME 名称	SIZE	CAGE CODE
TOLERANCES UNLESS OTHERWISE SPECIFIED: 一般公差		APVD S.MANABE 14OCT2008				PRODUCT SPEC 製品規格	DRAWING NO 番号	RESTRICTED TO
MATERIAL 材料		APPLICATION SPEC 取付適用規格				WEIGHT	A300779 C-172131	
SEE NOTE		FINISH 仕上	CUSTOMER DRAWING					
			SCALE 尺度	SHEET	REV			
			2:1	1 OF 1	E5			

单击下面可查看定价，库存，交付和生命周期等信息

[>>TE Connectivity\(泰科\)](#)