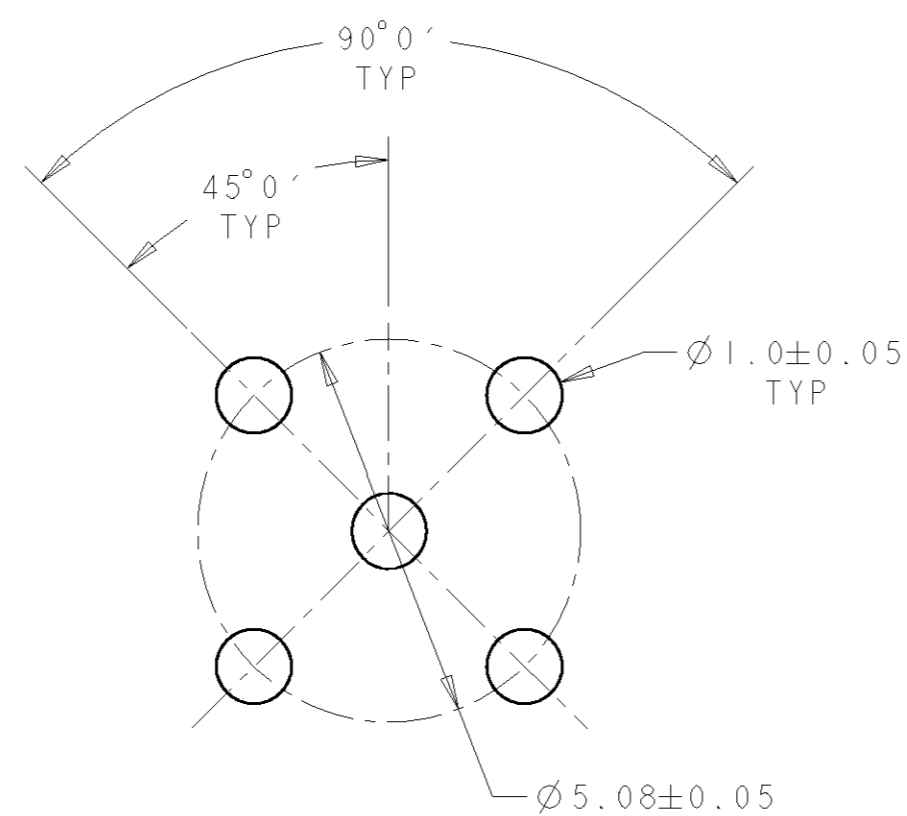
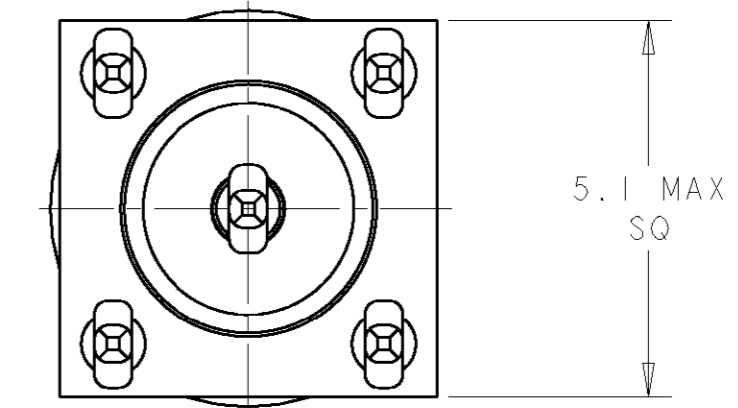
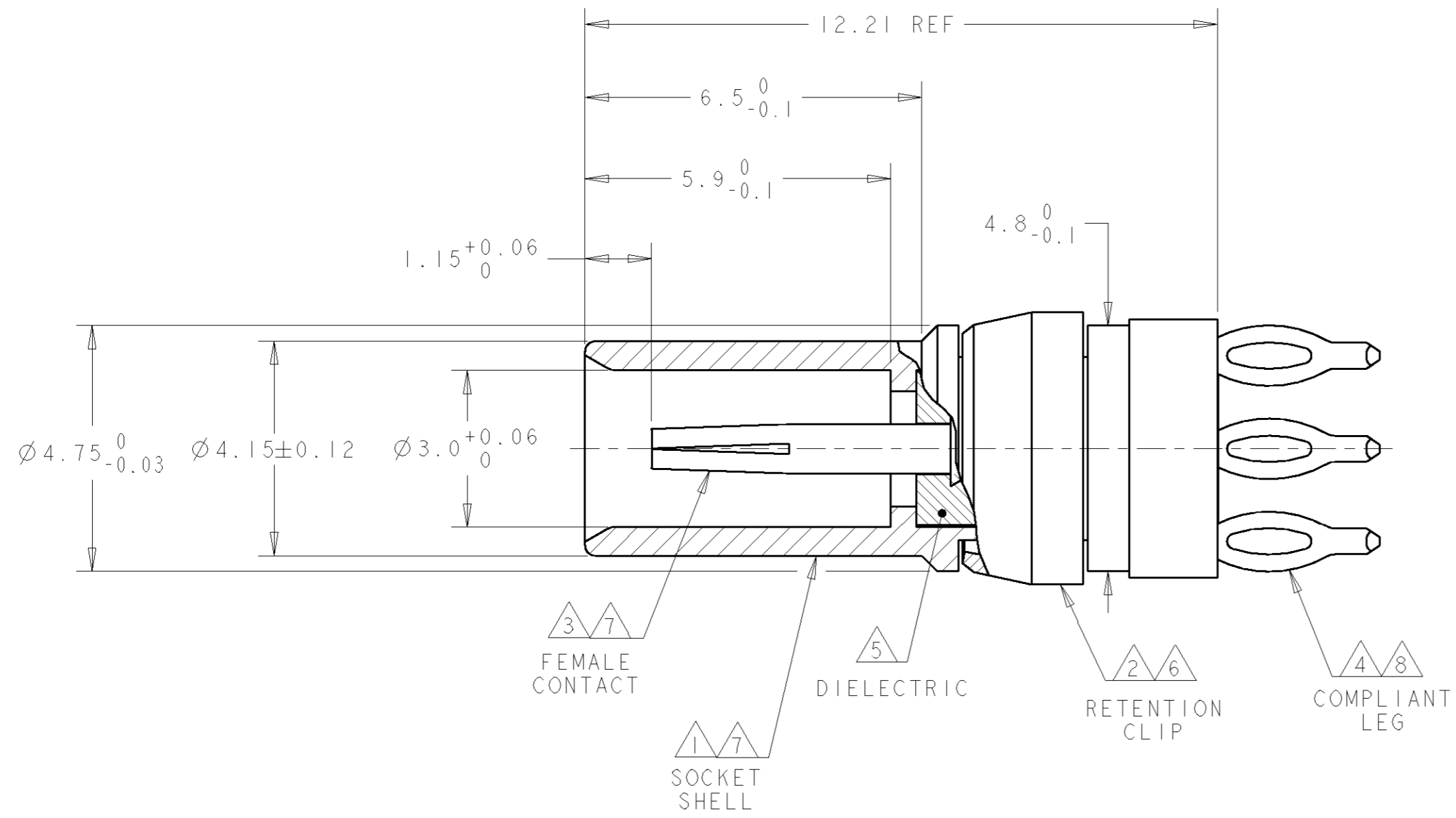


THIS DRAWING IS UNPUBLISHED. RELEASED FOR PUBLICATION .19
 BY AMP INCORPORATED. ALL RIGHTS RESERVED.

LOC	DIST	REVISIONS					
		P	LTR	DESCRIPTION	DATE	DWN	APVD
AJ	16		0	RLS PER DS14-0496-05	18FEB05	KW	KW



RECOMMENDED PC BOARD LAYOUT

- 1 BRASS PER ASTM-B-16
- 2 BERYLLIUM COPPER PER ASTM-B-194
- 3 BERYLLIUM COPPER PER ASTM-B-196
- 4 PHOS BRONZE PER ASTM-B-103
- 5 PTFE PER ASTM-D-1710
- 6 NICKEL PLATE PER QQ-N-290
- 7 GOLD PLATE PER ASTM-B488
- 8 TIN PLATE PER ASTM-B-545

5148385-1
 PART NUMBER

THIS DRAWING IS A CONTROLLED DOCUMENT FOR AMP INCORPORATED. IT IS SUBJECT TO CHANGE AND THE CONTROLLING ENGINEERING ORGANIZATION SHOULD BE CONTACTED FOR THE LATEST REVISION.		DWN K. WEIDNER 18FEB05	AMP Incorporated Harrisburg, PA 17105-3608	
DIMENSIONS: mm		CHK K. WEIDNER 18FEB05	NAME SOCKET, PCB, VERTICAL, COMPLIANT TYPE C	
TOLERANCES UNLESS OTHERWISE SPECIFIED: 0 PLC ± 1 PLC ± 2 PLC ± 3 PLC ± 4 PLC ± ANGLES ± FINISH -		APVD K. WEIDNER 18FEB05	SIZE A2	CAGE CODE 00779
MATERIAL		PRODUCT SPEC -	DRAWING NO 5148385	SCALE 10:1
		APPLICATION SPEC -	SHEET 1	OF 1
		WEIGHT -	REV 0	
		CUSTOMER DRAWING		

单击下面可查看定价，库存，交付和生命周期等信息

[>>TE Connectivity\(泰科\)](#)