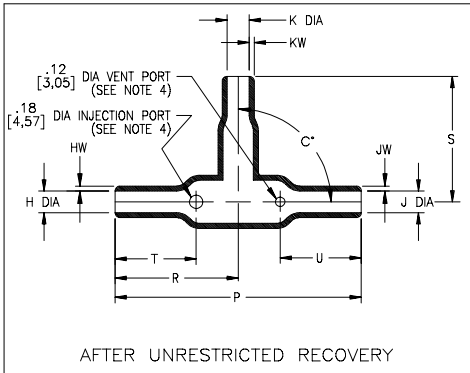
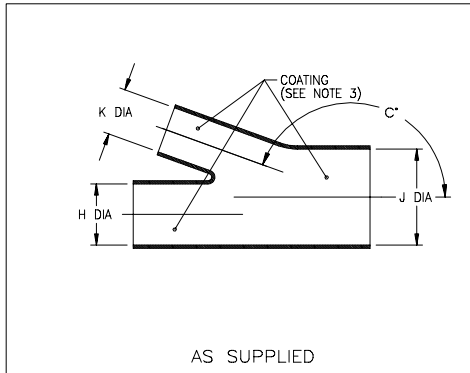


Thermofit Molded Parts
 Specification Control Drawing
 Limited Distribution

Part Number : 322A412 and 434-25/225
 Description : Transition, 90°, Side Breakout, Thinwall

NOTES

- All dimensions are in $\frac{\text{inches}}{\text{millimeters}}$
- Dimensions appearing in table are as follows:
 a - As Supplied
 b - After Unrestricted Recovery
- Coating is optional. As supplied dimensions appearing in table are for uncoated parts. When coating is added, entry diameters will be reduced by .06 max.
- Molding ports are optional. When -00 modification number is specified molding ports will be located as shown.



PART NUMBER	H & J		K		P	R	S	T	U	HW&JW	KW	C*	
	Min a	Max b	Min a	Max b								±10% a	±5% b
322A412-25/225	.70 [17,7]	.35 [8,9]	.40 [10,1]	.20 [5,1]	1.87 [47,5]	.93 [23,6]	.93 [23,6]	.75 [19,1]	.78 [19,8]	.059 [1,50]	.04 [1,02]	165	90
322A434-25/225	1.20 [30,4]	.60 [15,3]	.80 [20,3]	.40 [10,2]	3.25 [82,6]	1.62 [41,1]	1.50 [38,1]	1.23 [31,2]	1.23 [31,2]	.10 [2,54]	.077 [1,96]	165	90

If this document is printed it becomes uncontrolled.
 Check for the latest revision.

Raychem

RAYCHEM CORPORATION
 300 CONSTITUTION DRIVE
 MENLO PARK, CALIFORNIA 94025

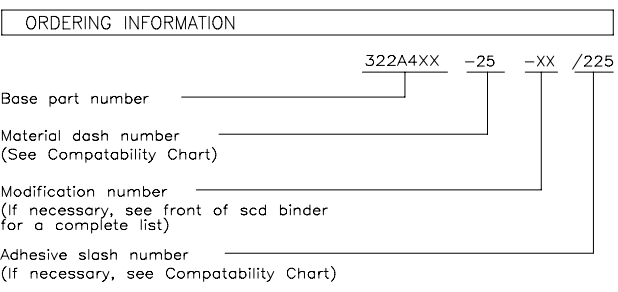
Revision : A
 Date : 9/30/98

Part Number : 322A412 and 434-25/225
 Description : Transition, 90°, Side Breakout, Thinwall

Thermofit Molded Parts
 Specification Control Drawing
 Limited Distribution

Part Number : 322A412 and 434-25/225
 Description : Transition, 90°, Side Breakout, Thinwall

MATERIAL DASH NO.	MATERIAL DESCRIPTION	RT SPEC	COATING SLASH NO.	COATING S NO.	COATING DESCRIPTION
-25	Elastomer, Fluid Resistant	RT-1325	/225	S-1206	Adhesive



THIS DRAWING IS SUBJECT TO CHANGE WITHOUT NOTICE; CONSULT YOUR NEAREST FIELD REPRESENTATIVE FOR CURRENT REVISION

Raychem

RAYCHEM CORPORATION
 300 CONSTITUTION DRIVE
 MENLO PARK, CALIFORNIA 94025

Revision : A
 Date : 9/30/98

Part Number : 322A412 and 434-25/225
 Description : Transition, 90°, Side Breakout, Thinwall
 CAD FILE MP98162

单击下面可查看定价，库存，交付和生命周期等信息

[>>TE Connectivity\(泰科\)](#)