

THIS DRAWING IS UNPUBLISHED.

RELEASED FOR PUBLICATION

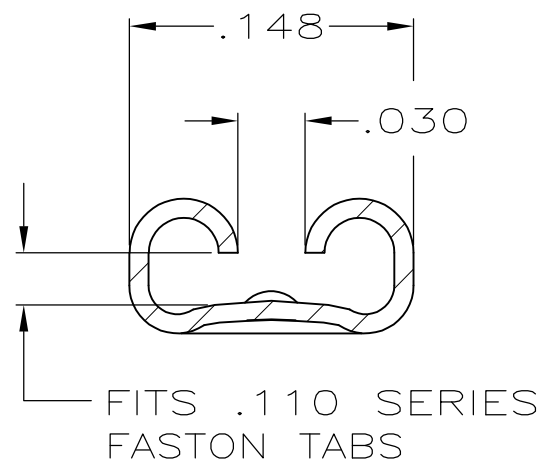
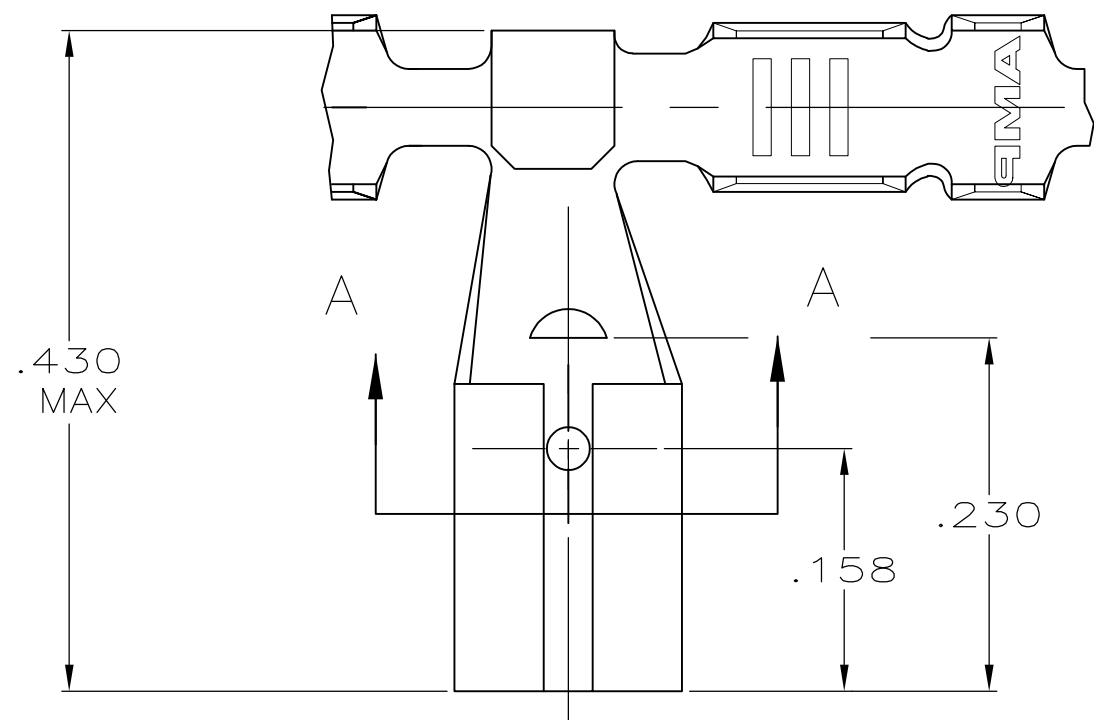
ALL RIGHTS RESERVED.

© COPYRIGHT - By -

LOC AF DIST 50

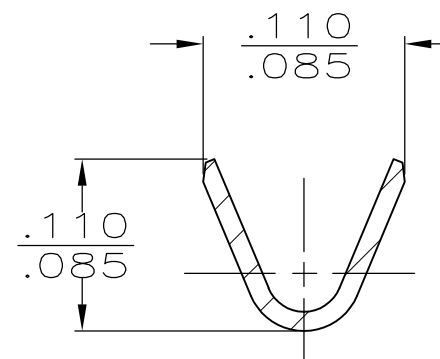
REVISIONS

P	LTR	DESCRIPTION	DATE	DWN	APVD
	D	REVISED PER ECR-12-013459	04JAN2013	KH	PD

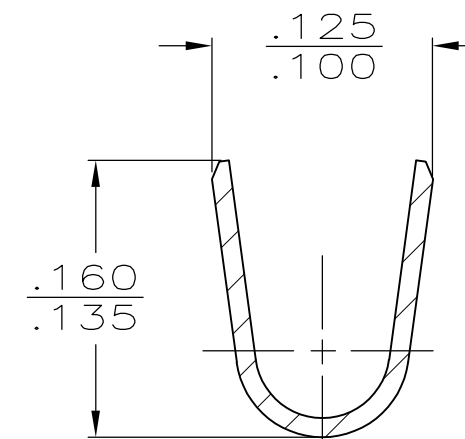


SECTION A-A
SCALE 10:1

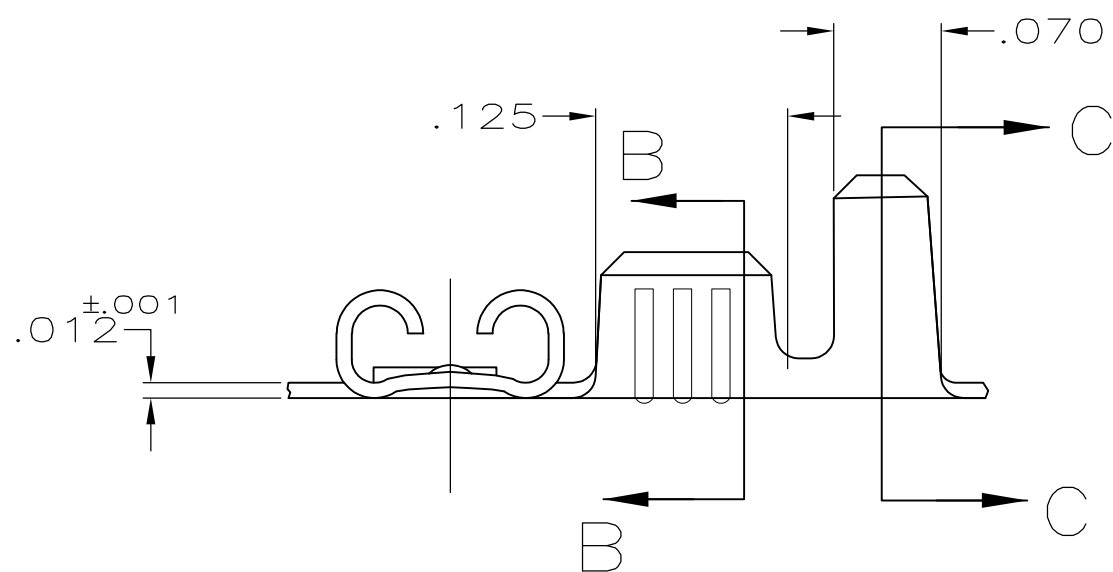
1 CONTINUOUS STRIP ON REELS



SECTION B-B
SCALE 10:1



SECTION C-C
SCALE 10:1



-	.060-.100 DIA	22-18 AWG	.020	61070-2
TIN				61070-1
FINISH	INSULATION RANGE	WIRE SIZE	MATING TAB THK ±.001	PART NO

THIS DRAWING IS A CONTROLLED DOCUMENT.		DWN JR RUTH 4/22/91	TE Connectivity RECEPTACLE, FASTON, FLAG, .110 SERIES		
DIMENSIONS: INCHES		CHK MS FEHER 4/22/91			
TOLERANCES UNLESS OTHERWISE SPECIFIED:		APVD C MEYERS 4/22/91			
0 PLC ± - 1 PLC ± - 2 PLC ± - 3 PLC ± .015 4 PLC ± - ANGLES ± 1°		NAME			
MATERIAL BRASS		FINISH SEE TABLE	PRODUCT SPEC	APPLICATION SPEC	RESTRICTED TO
			SIZE A3	CAGE CODE 00779	DRAWING NO C-61070
			CUSTOMER DRAWING		SCALE 8:1
			SHEET 1 OF 1		REV D

单击下面可查看定价，库存，交付和生命周期等信息

[>>TE Connectivity\(泰科\)](#)