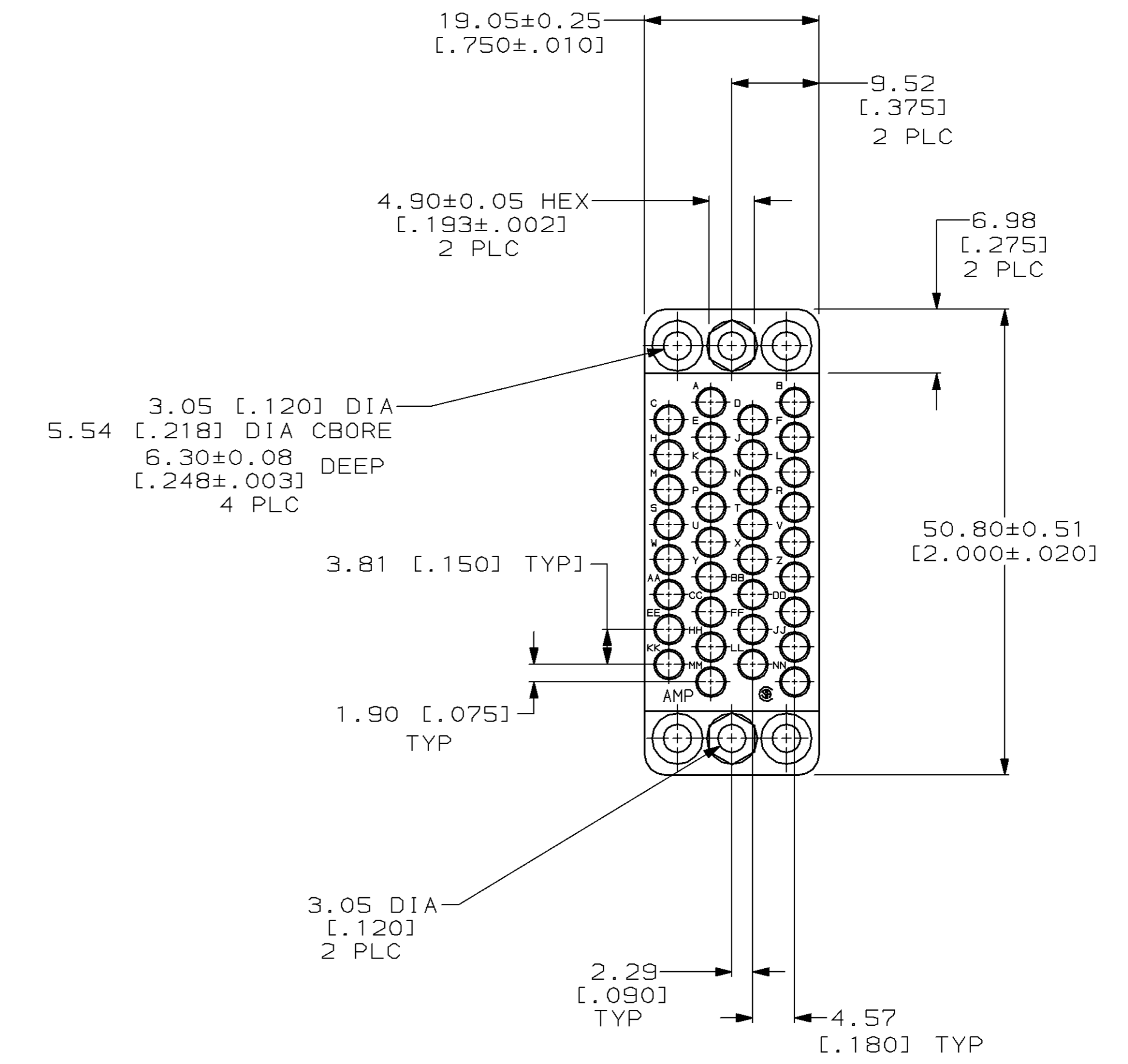
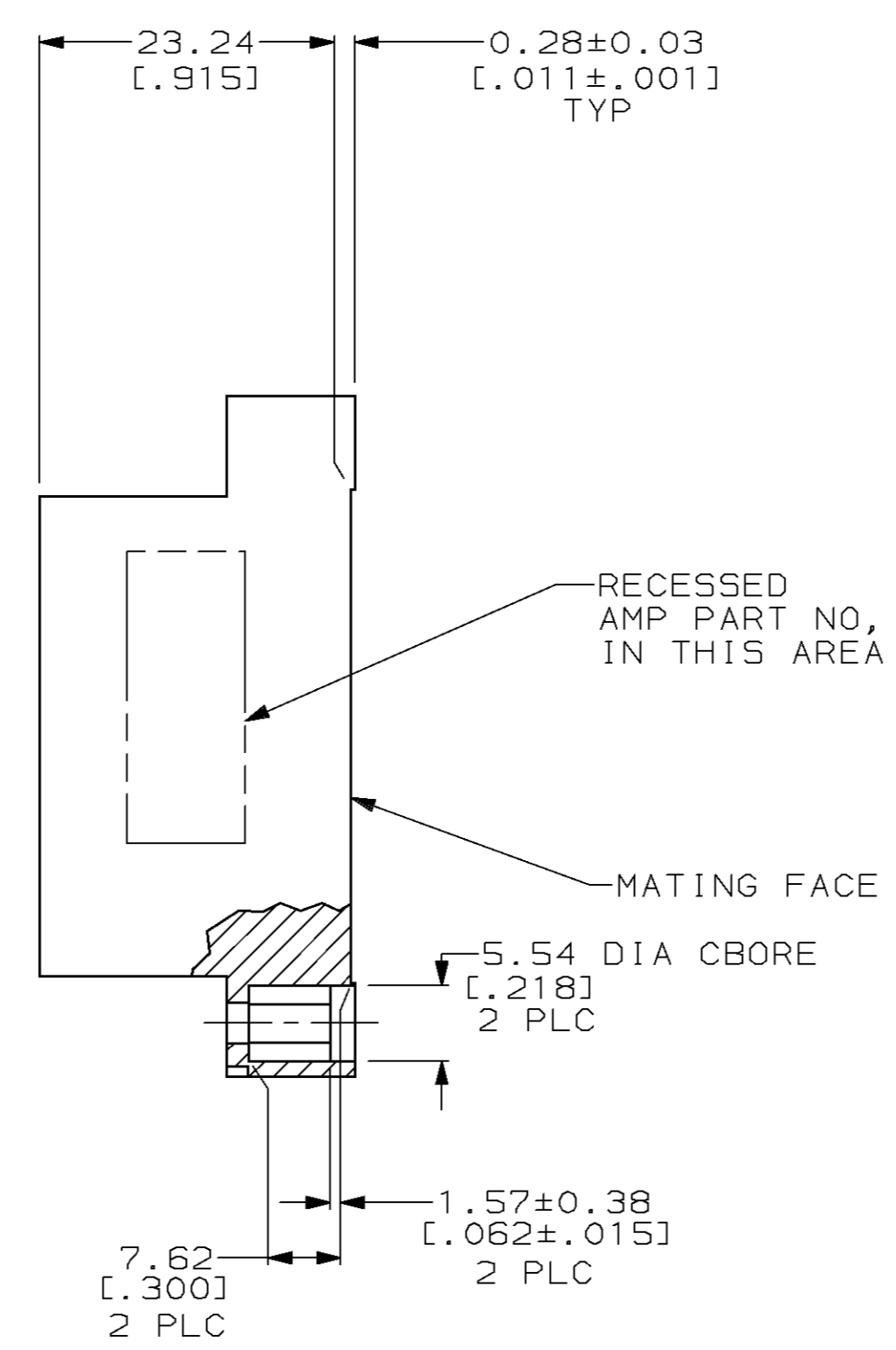
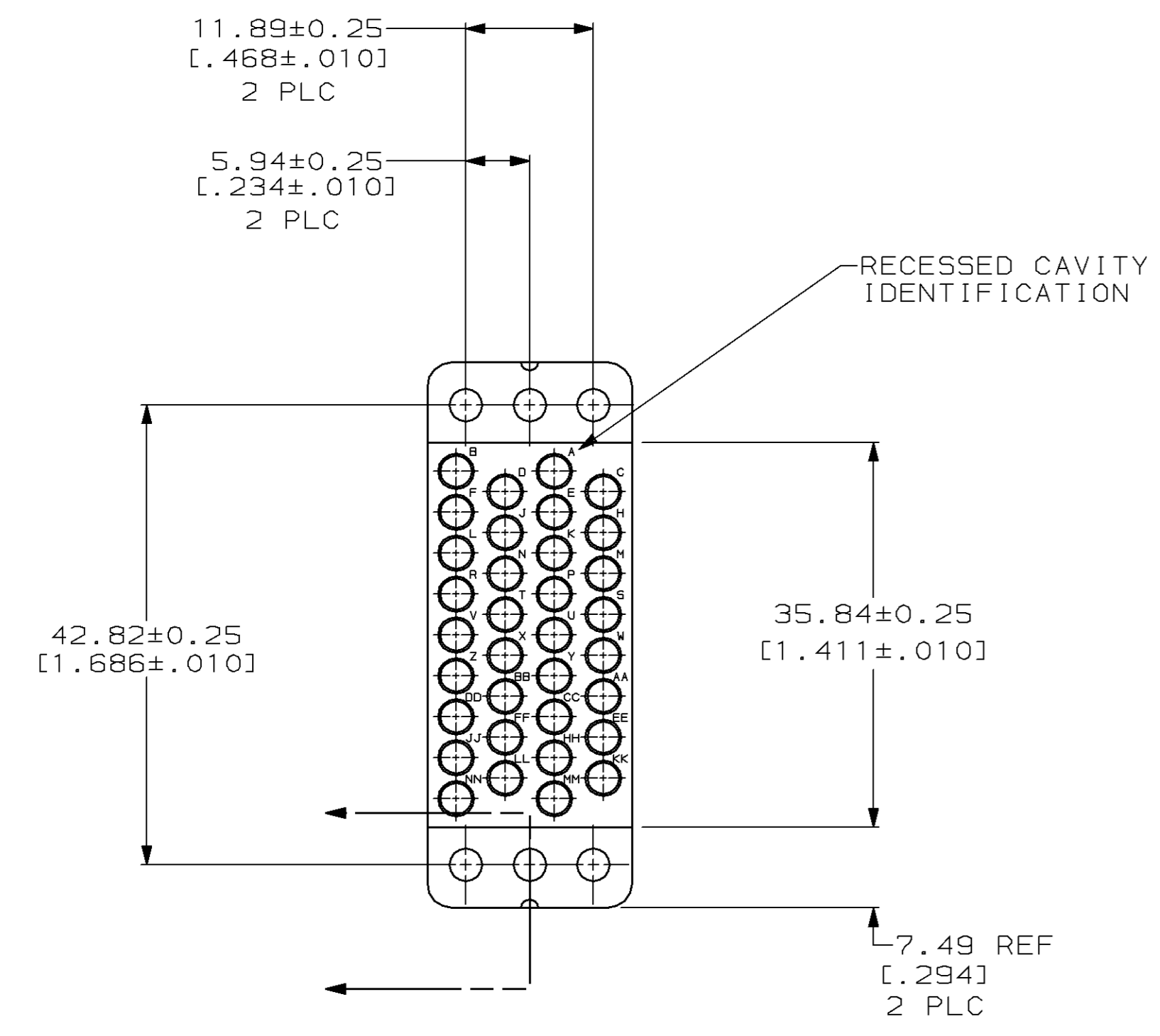


MOD		LOC	DIST	REVISIONS			DATE	APPD
2	BD	36	P	F	ZONE	LTR	DESCRIPTION	
						0	RLSE -1 PER NPR 5123 WAS 94-5050-001-05	08/12/94 TC



THIS DRAWING IS A CONTROLLED DOCUMENT FOR AMP INCORPORATED. IT IS SUBJECT TO CHANGE AND THE CONTROLLING ENGINEERING ORGANIZATION SHOULD BE CONTACTED FOR THE LATEST REVISION.

DO NOT SCALE PRINT. UNLESS SPECIFIED DIMENSIONS IN mm [INCHES] TOLERANCES ON: 2 PLC DEC ± 0.13 [.005] 3 PLC DEC ± - ANGLES ± -		DR 08-12-94 D.BROCKWAY	213802-1 PART NO	
MATERIAL POLYESTER, BLACK	FINISH -	CHK 09-08-94 R.STONE	APPD 09-13-94 T.COULSON	AMP Incorporated Harrisburg, PA 17105-3608
APPLICATION SPEC -		APPD 09-13-94 T.COULSON	PRODUCT SPEC -	NAME HOUSING, RCPT, 34 POSN, MINIATURE, RECTANGULAR M SERIES
WEIGHT -		SCALE 2:1	SIZE D	CAGE CODE 00779
			DRAWING NO C-213802	SHEET 1 OF 1

单击下面可查看定价，库存，交付和生命周期等信息

[>>TE Connectivity\(泰科\)](#)