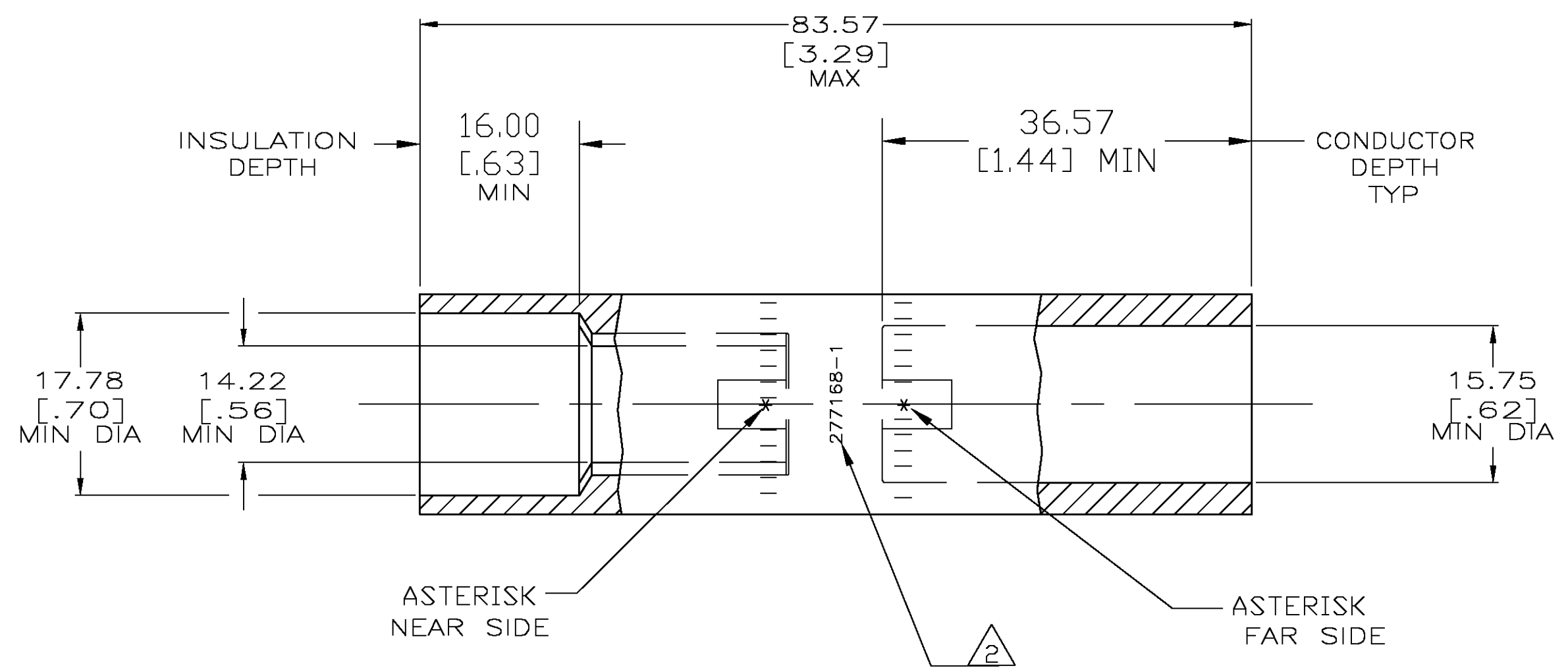
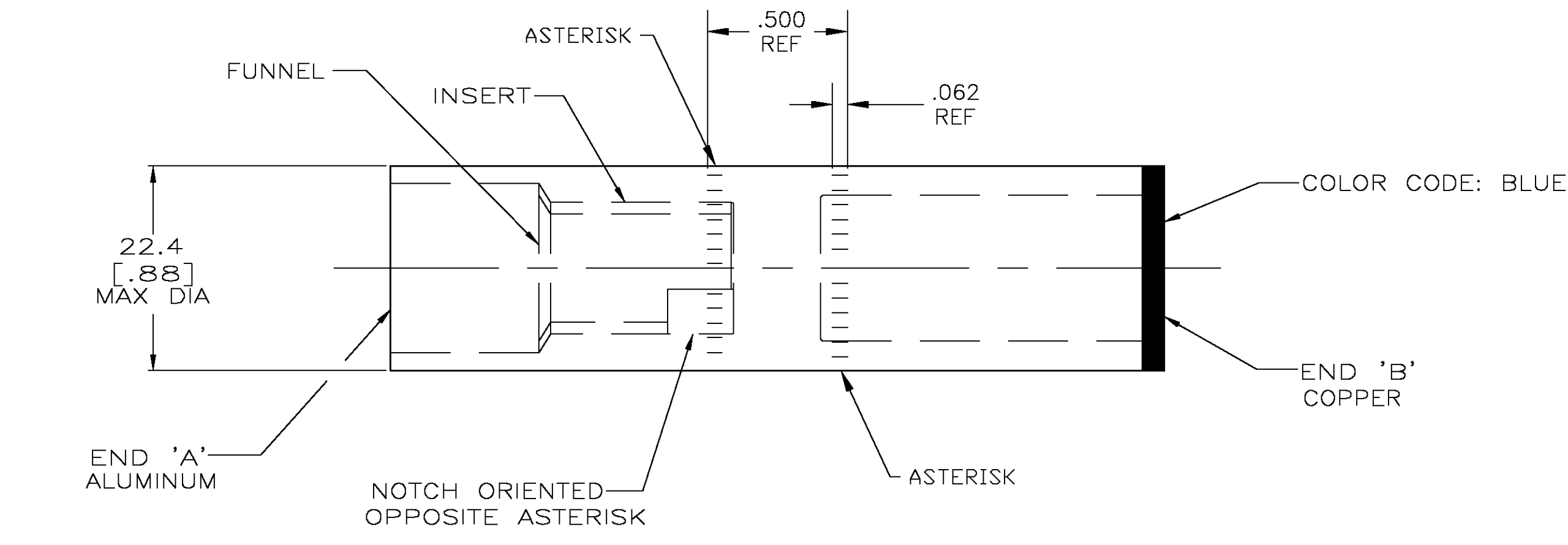


THIS DRAWING IS UNPUBLISHED. RELEASED FOR PUBLICATION
 © COPYRIGHT BY TYCO ELECTRONICS CORPORATION. ALL RIGHTS RESERVED.

LOC	DIST	REVISIONS					
		P	LTR	DATE	DWN	APVD	
G	86	M		REL PER OG3A-0196-03	28MAR03	JR	MS



- 1 WIRE INSULATION:
 END 'A' 13.21[.520] - 16.38[.645] DIA FOR 3/0 AL
 END 'B' 10.92[.430] - 12.57[.495] DIA FOR 1/0 CU
- 2 STAMP " 277168-1 AMP 3/0AL-1/0CU"
 APPROX AS SHOWN,



INSERT & FUNNEL: BRASS MIL-C-50 NICKEL PL QQ-N-290 0.00762[.000300] AVG THK SPLICE: COPPER ASTM B-187 TIN PL PER ASTM B-545 0.00381[.000150] MIN THK	277168-1
MATERIAL & FINISH	PART NO.

THIS DRAWING IS A CONTROLLED DOCUMENT.		DWN	DK SCHRUM	7/5/89	Tyco Electronics Corporation Harrisburg, PA 17105	
DIMENSIONS: INCHES		CHK	MS FEHER	5/1/91		
TOLERANCES UNLESS OTHERWISE SPECIFIED:		APVD	MJ SPICER	5/1/91		
0 PLC ± - 1 PLC ± - 2 PLC ± - 3 PLC ± - 4 PLC ± - ANGLES ± -		PRODUCT SPEC	108-11011			
MATERIAL: SEE TABLE		FINISH	SEE TABLE		NAME	WIRE SPLICE, TRANSITIONAL, COPALUM
		WEIGHT	128.5 GRAMS	A2	SIZE	114-2134
		CUSTOMER DRAWING			CAGE CODE	00779
		SCALE	2:1		DRAWING NO	C=277168
		SHEET	1 OF 1		RESTRICTED TO	-
		REV	M			

单击下面可查看定价，库存，交付和生命周期等信息

[>>TE Connectivity\(泰科\)](#)