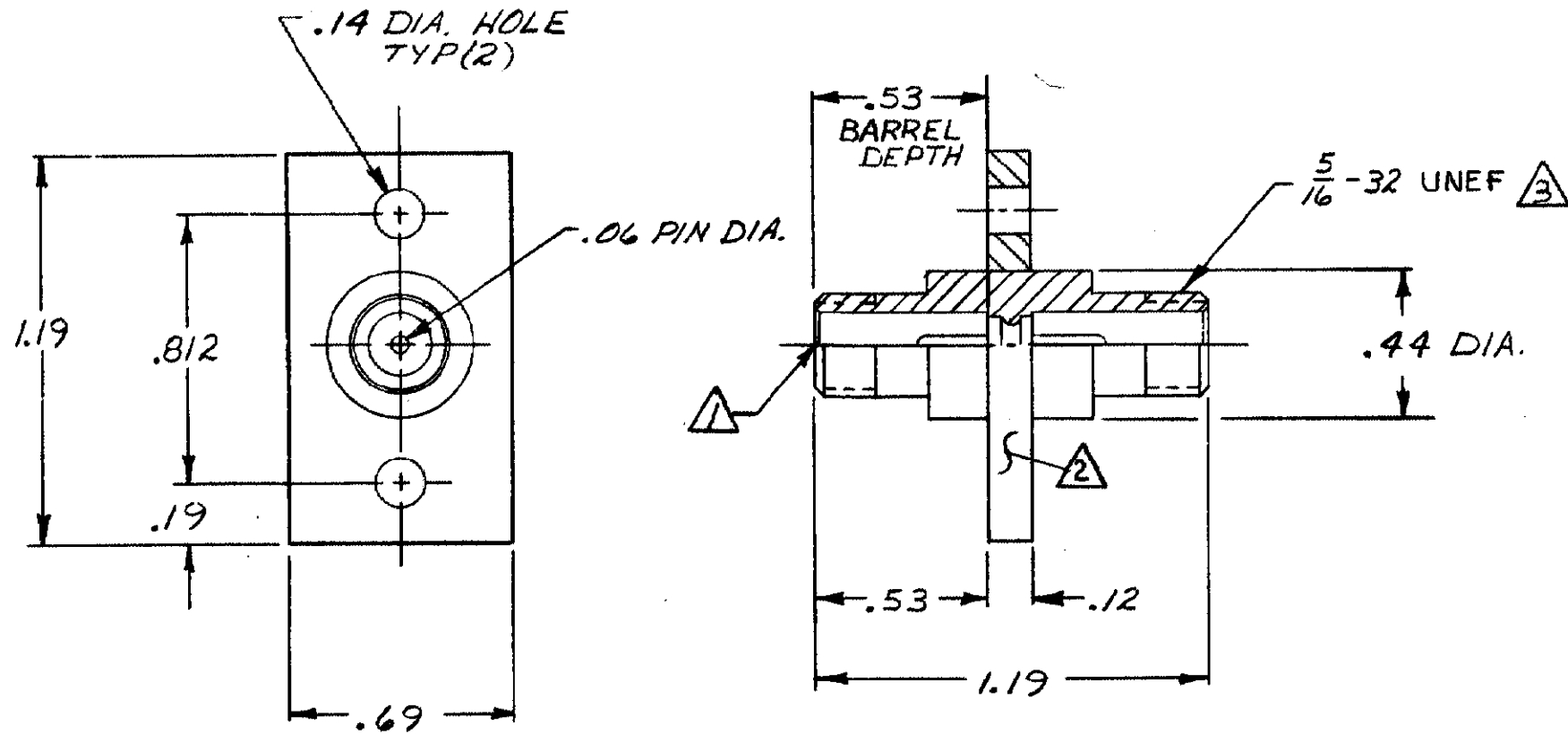


DRAWING MADE IN AMERICAN PROJECTION

© 1970 BY AMP INCORPORATED. ALL RIGHTS RESERVED. AMP PRODUCTS COVERED BY PATENTS AND/OR PATENTS PENDING.

THIS PRODUCT DESIGNED AND BUILT BY AMP INCORPORATED. NO LICENSE TO USE THAT DESIGN IN MANUFACTURE, OR TO USE ANY ISSUED OR PENDING PATENTS WHICH ARE INVOLVED, IS IMPLIED.

REVISIONS				
ZONE	LTR	DESCRIPTION	DATE	APPROVED
	E	REVISED & REDRAWN	10-14-70	Ken K
	F	REVISED NOTE 1.	10-15-73	J.P.
	G	REVISED PER ECN 4349	5-22-74	M.S.
	H	REV PER ECN S-3960	9/16/87	R.B.



- 1. RECEPTACLE TO MATE WITH AMP LGH-1/2 LEAD ASSEMBLY, AVAILABLE SEPARATELY.
- 2. MARK AMP & AMP PIN (MARKING IN WHITE)
- 3. PER FEDERAL STANDARD H-28 3 WIRE METHOD DIMENSION OVER WIRES TO BE: .307-.318

830174-2	AS SHOWN WITH GOLD PLATED PIN
830174-1	AS SHOWN WITH TIN PLATED PIN

QTY REQD	QTY R_QD	ITEM NO.	DWG SIZE	PART OR IDENTIFYING NO.	NOMENCLATURE OR DESCRIPTION	SYMBOL
-2	-1					

UNLESS OTHERWISE SPECIFIED: DIMENSIONS ARE IN INCHES TOLERANCES .00 ± .04 ANGLES .000 ± .015				CONTRACT NO. DR J.S. 5-27-65		AMP INCORPORATED CAPITRON DIVISION ELIZABETHTOWN, PENNSYLVANIA	
MATERIAL: MOLDED GLASS EPOXY				CHK			
FINISH: BLACK				APPD J.W. GAW 6-18-65		SIZE B	
NEXT ASSY				DESGN APPD		CODE IDENT NO. 89110	
FINAL ASSY				OTHER APPD		NUMBER 830174	
NEXT ASSY				USED ON		SCALE 2:1	
QTY REQD				APPLICATION		WT	
						SHEET 1/1	

PRINT DIST 37

单击下面可查看定价，库存，交付和生命周期等信息

[>>TE Connectivity\(泰科\)](#)