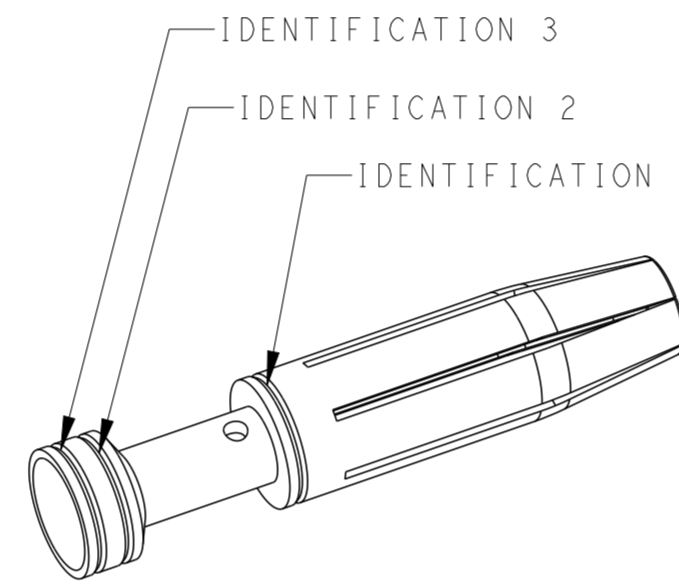
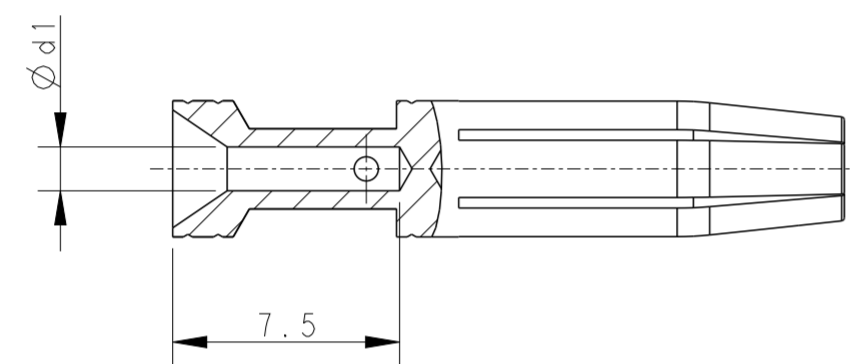
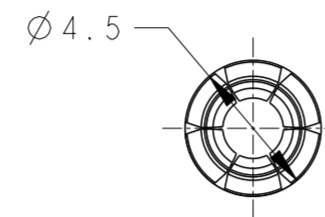
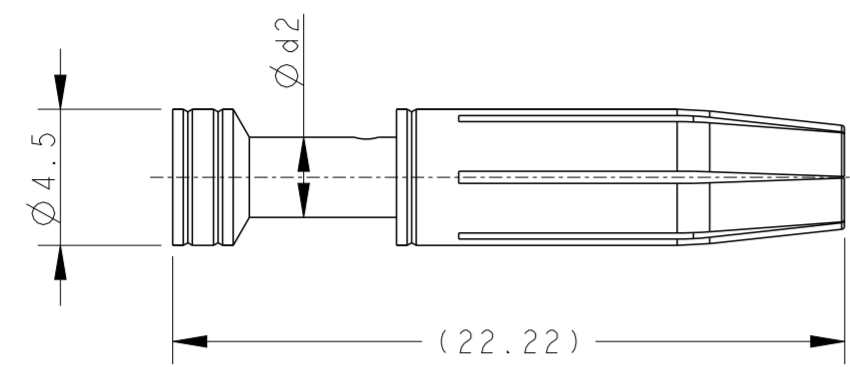


P	LTR	DESCRIPTION	DATE	DWN	APVD
	A	INITIAL RELEASE	20NOV2023	DW	CW



NOTES:

- 1. TECHNICAL CHARACTERISTICS:
 CONTACT MATERIAL: BRASS
 SURFACE PLATING: SILVER
 CONTACT RESISTANCE: <=5 mΩ
 WIRE RANGE: SEE TABLE

注释:

- 1. 技术参数:
 公针材料: 黄铜
 表面电镀: 镀银
 接触电阻: <=5 mΩ
 接线范围: SEE TABLE

PART NUMBER 料号	PART DESCRIPTION 描述	∅d1	∅d2	WIRE GAUGE 线规		STRIPPING LENGTH 剥线长度 (mm)	IDENTIFICATION 1 识别1 (NUMBER OF GROOVES 沟槽数量)	IDENTIFICATION 2 识别2 (NUMBER OF GROOVES 沟槽数量)	IDENTIFICATION 3 识别3 (NUMBER OF GROOVES 沟槽数量)
				MM ²	AWG				
T2030532002-000	HEF-0.3, SILVER PLATING HEF母针0.14-0.37mm ² , 镀银, 高插拔	0.90	2.50	0.14-0.37	26-22	7.5	I GROOVE	I GROOVE	I GROOVE
T2030532008-000	HEF-0.75, SILVER PLATING HEF母针0.75mm ² , 镀银, 高插拔	1.30	2.50	0.75	18		NO GROOVE	I GROOVE	I GROOVE

THIS DRAWING IS A CONTROLLED DOCUMENT.

DWN DAVID WANG 20NOV2023	
CHK GINO YAO 20NOV2023	
APVD CHRIS WANG 20NOV2023	
NAME HEF EE SOCKET CONTACT	
PRODUCT SPEC	SIZE A200779
APPLICATION SPEC	CAGE CODE C-T2030532XXX000
WEIGHT	DRAWING NO
CUSTOMER DRAWING	RESTRICTED TO
SCALE 4:1	SHEET 1 OF 1
REV A	

单击下面可查看定价，库存，交付和生命周期等信息

[>>TE Connectivity\(泰科\)](#)