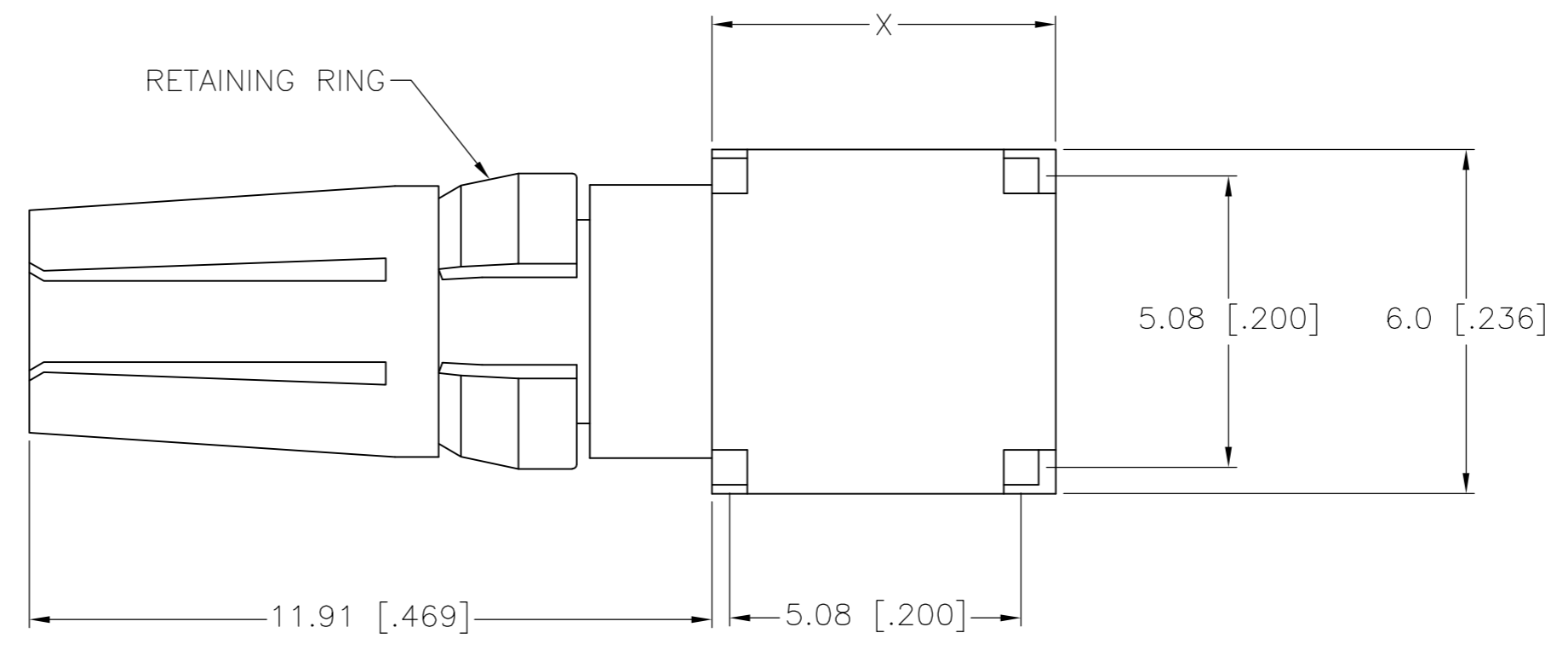
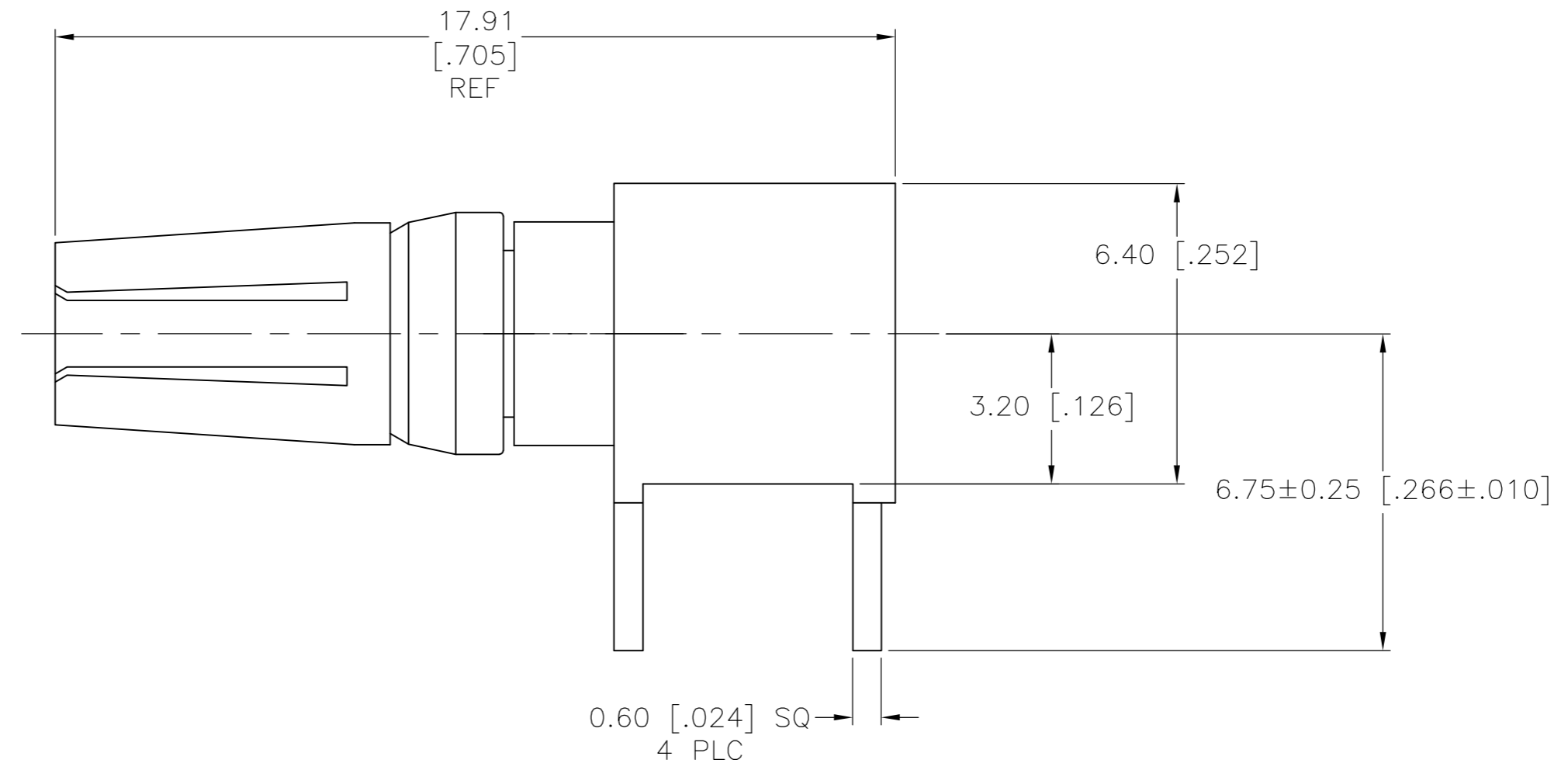


THIS DRAWING IS UNPUBLISHED. RELEASED FOR PUBLICATION
 © COPYRIGHT BY TYCO ELECTRONICS CORPORATION. ALL RIGHTS RESERVED.

LOC		DIST		REVISIONS			
P	LTR	DESCRIPTION		DATE	DWN	APVD	
	B	REV PER EC 0512-0302-05		14DEC05	BC	GS	
	C	ECR-10-019054		15SEP10	DP	MQW	



- 1 SUITABLE FOR FEMALE TYPE M CONNECTORS.
- 2 CONTACT SPRING: BERYLLIUM COPPER.
CONTACT BODY: BRASS.
RETAINING RING: BERYLLIUM COPPER.
- 3 CONTACT FINISH: 0.00127[.000050] MIN GOLD IN CONTACT AREA,
0.00254[.000100] MIN TIN IN AREA "X", ALL OVER
0.00127[.000050] NICKEL.
- 4 CONTACT FINISH: 0.00076[.000030] MIN GOLD IN CONTACT AREA,
0.00254[.000100] MIN TIN IN AREA "X", ALL OVER
0.00127[.000050] NICKEL.

OBSOLETE	4	5148513-2
	3	5148513-1
	FINISH	PART NUMBER

THIS DRAWING IS A CONTROLLED DOCUMENT.		DWN	B.CARBO	15JUL05	Tyco Electronics Corporation Harrisburg, PA 17105-3608
DIMENSIONS: mm [INCHES]		CHK	A.SHARPE	15JUL05	
TOLERANCES UNLESS OTHERWISE SPECIFIED:		APVD	A.SHARPE	15JUL05	
0-PLC ± 1-PLC ± 2-PLC ± ±0.2 3-PLC ± 4-PLC ± ANGLES ± FINISH SEE TABLE		PRODUCT SPEC	NAME		
MATERIAL		APPLICATION SPEC	POWER CONTACT, EUROCARD TYPE M, FEMALE 90 DEGREE, PRINTED CIRCUIT BOARD MOUNT		
		WEIGHT	SIZE		RESTRICTED TO
		CUSTOMER DRAWING	CAGE CODE	DRAWING NO	
			A2 00779	C=5148513	
		SCALE	8:1	SHEET	1 OF 1
		REV	C		

5148513

单击下面可查看定价，库存，交付和生命周期等信息

[>>TE Connectivity\(泰科\)](#)