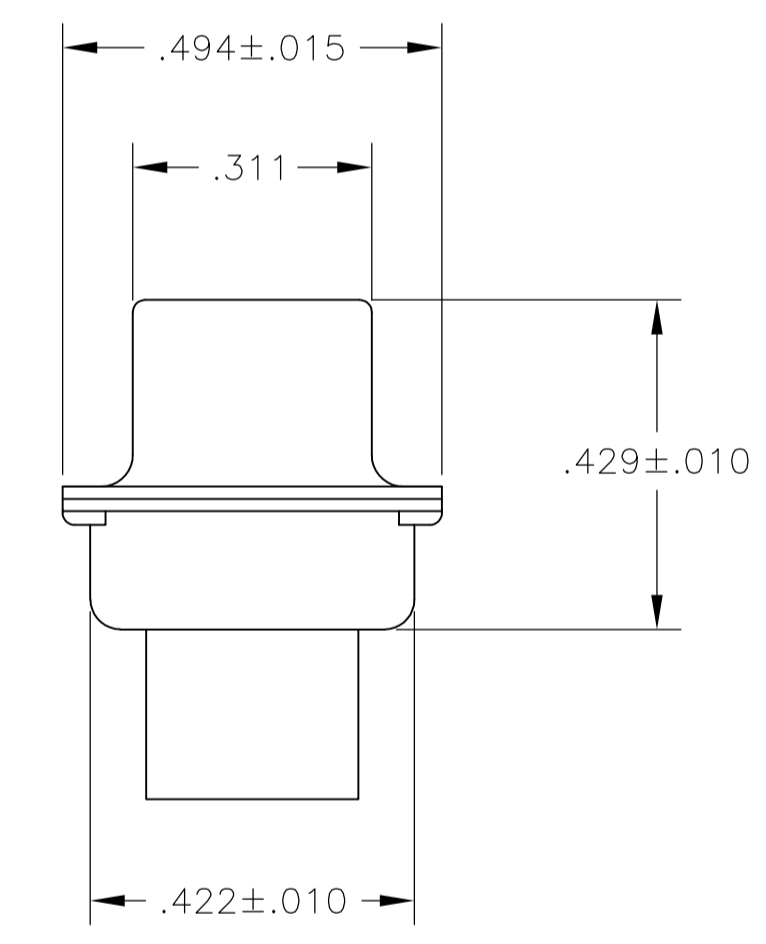
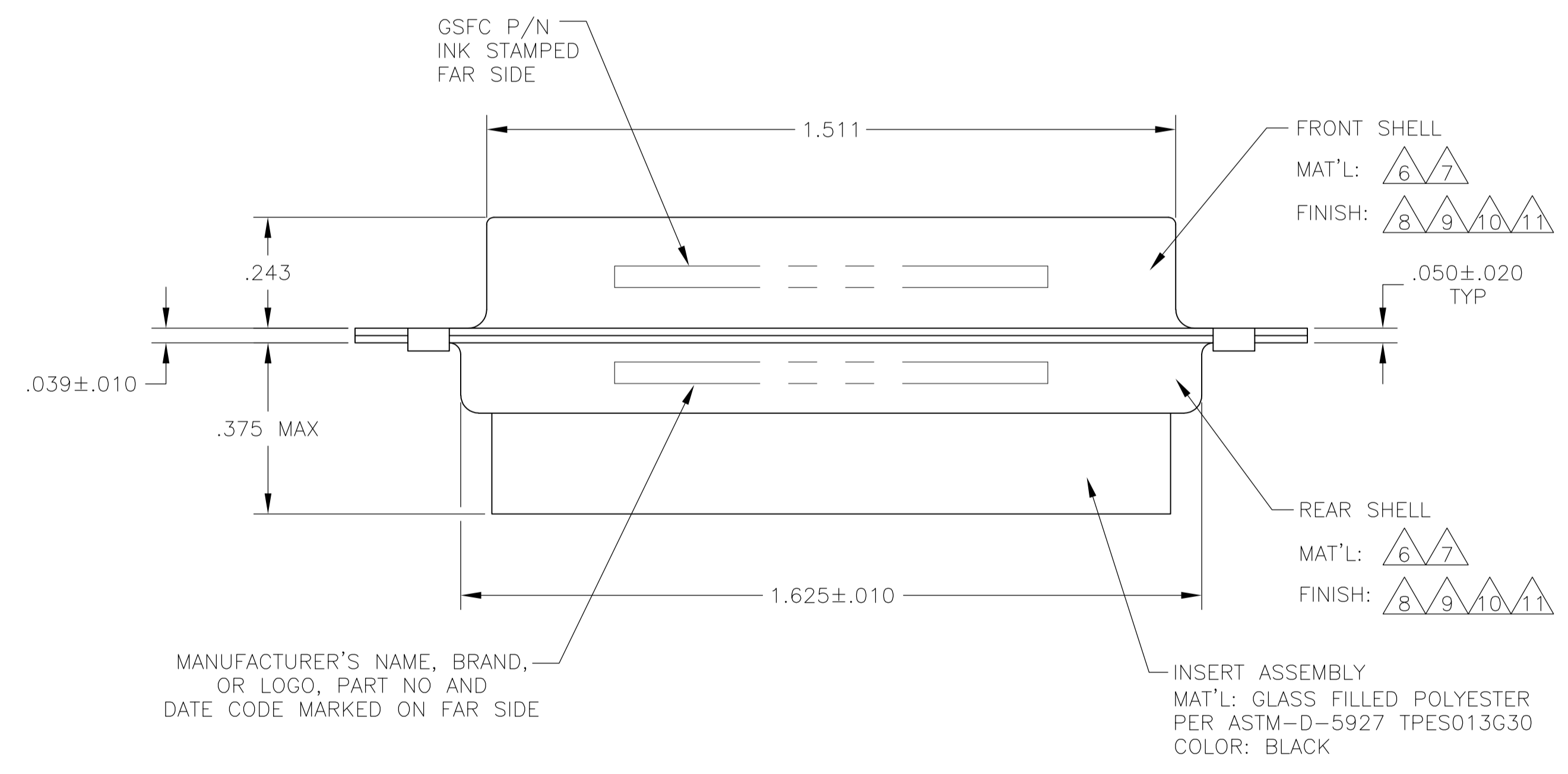
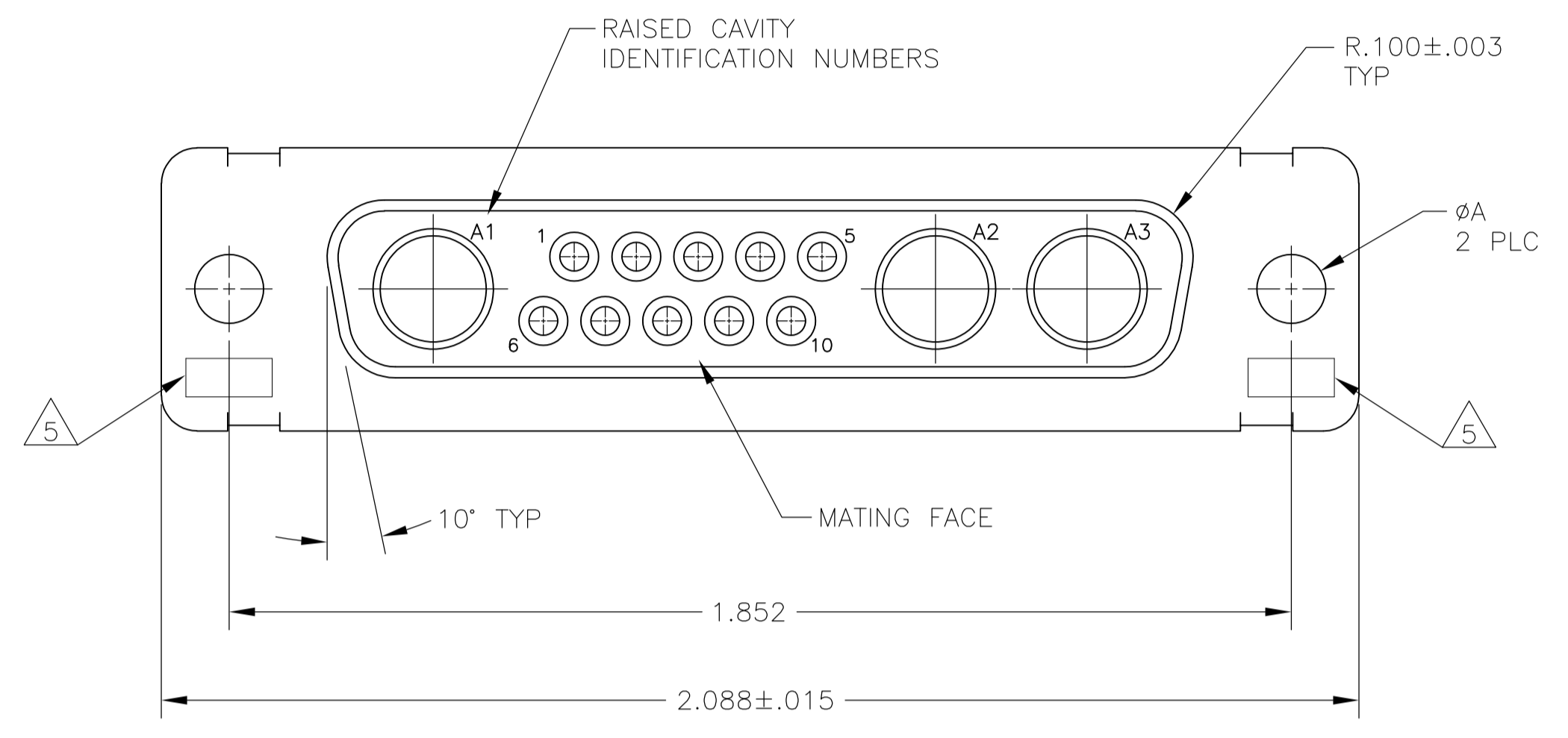


| LOC | | DIST | | REVISIONS | | | |
|-----|-----|---------------------------|---------|-----------|------|--|--|
| P | LTR | DESCRIPTION | DATE | DN | APVD | | |
| T | | REVISED PER ECO-15-016251 | 13NOV15 | KG | CD | | |

- THIS RECEPTACLE WILL MATE WITH ANY 13C3, SIZE 3 PLUG IN AMPLIMITE SERIES.
 - MAXIMUM WIRE INSULATION TO BE USED WITH THIS RECEPTACLE IS $\phi .068$.
 - THIS CONNECTOR ACCEPTS (3) POWER 8, OR COAX SOCKET CONTACTS IN POSITIONS A1 THRU A3, PURCHASED SEPARATELY.
 - THIS CONNECTOR ACCEPTS SIZE 20 SOCKET SIGNAL CONTACTS IN POSITIONS 1 THRU 10, PURCHASED SEPARATELY.
- $\triangle 5$ UL/CSA DESIGNATION STAMPED IN THIS AREA, OPTIONAL.
 - $\triangle 6$ STEEL PER ASTM-A-109.
 - $\triangle 7$ BRASS PER MIL-C-50 AND ASTM-B-36 UNS NO. C26000.
 - $\triangle 8$ FINISH: CADMIUM PLATED PER QQ-P-416.
 - $\triangle 9$ FINISH: TIN PER ASTM-B-545 .000400 MIN THK OVER COPPER PER AMS2418 .000050 MIN THK.
 - $\triangle 10$ GOLD PLATED PER ASTM-B-488 TYPE II, GRADE C, CLASS 1 OVER COPPER PER AMS2418, CLASS IV.
 - $\triangle 11$ FINISH: ZINC PLATE PER ASTM-B-633, .000200-.000400 THK WITH SUPPLEMENTARY CHROMATE (Cr3+)



| REMARKS | ϕA | GSFC P/N | PART NO. |
|-----------------------------|----------|------------------|------------|
| $\triangle 6, \triangle 9$ | .120 | - | 5-208811-2 |
| $\triangle 6, \triangle 11$ | .120 | - | 5-208811-1 |
| $\triangle 7, \triangle 10$ | .154 | 311P405-12S-B-15 | 208811-4 |
| $\triangle 7, \triangle 10$ | .120 | 311P405-12S-B-12 | 208811-3 |
| $\triangle 6, \triangle 9$ | .120 | - | 208811-2 |
| $\triangle 6, \triangle 8$ | .120 | - | 208811-1 |

THIS DRAWING IS A CONTROLLED DOCUMENT.

| | | | | |
|--------------------|--|------------------------|----------------------|--|
| DIMENSIONS: INCHES | TOLERANCES UNLESS OTHERWISE SPECIFIED: | DIN C.C.THOMAS 04FEB88 | APVD A.FMADI 09FEB88 | NAME RECEPTACLE ASSEMBLY AMPLIMITE 13C3 SIZE 3, SERIES 109, COAX MIX |
| 0 PLC ± - | 1 PLC ± - | 2 PLC ± - | 3 PLC ± .005(0.13) | 4 PLC ± - |
| ANGLES ± ± 0°/30° | | | | |
| MATERIAL | FINISH | WEIGHT | SIZE A1 00779 | SCALE 4:1 SHEET 1 OF 1 REV T |

CUSTOMER DRAWING

单击下面可查看定价，库存，交付和生命周期等信息

[>>TE Connectivity\(泰科\)](#)