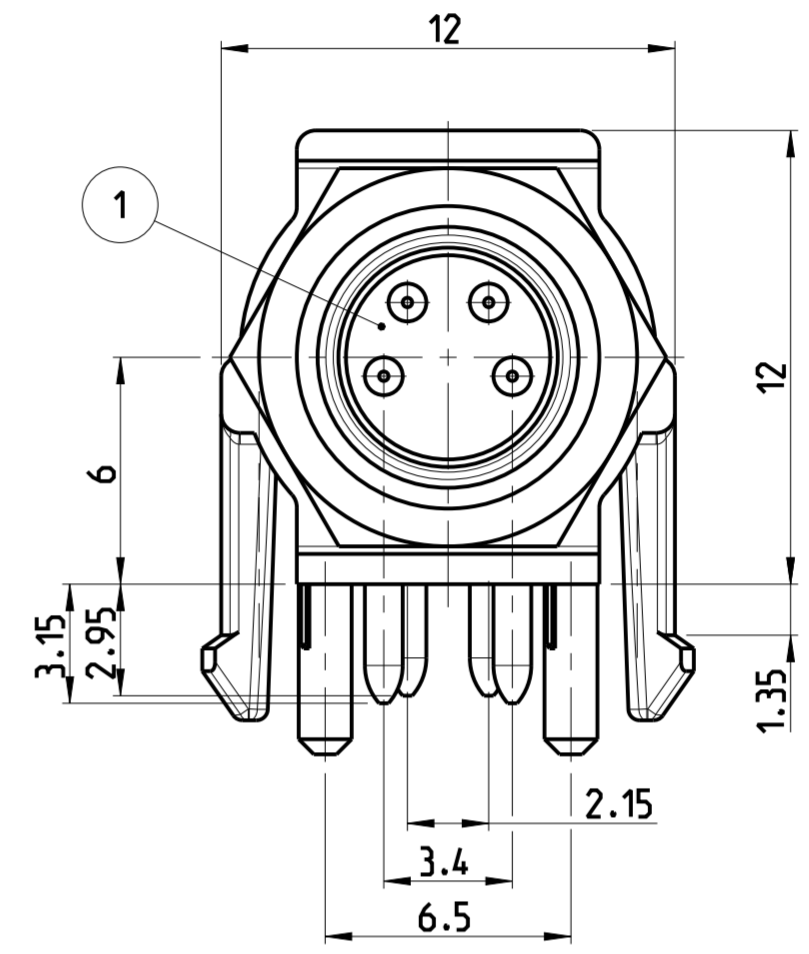
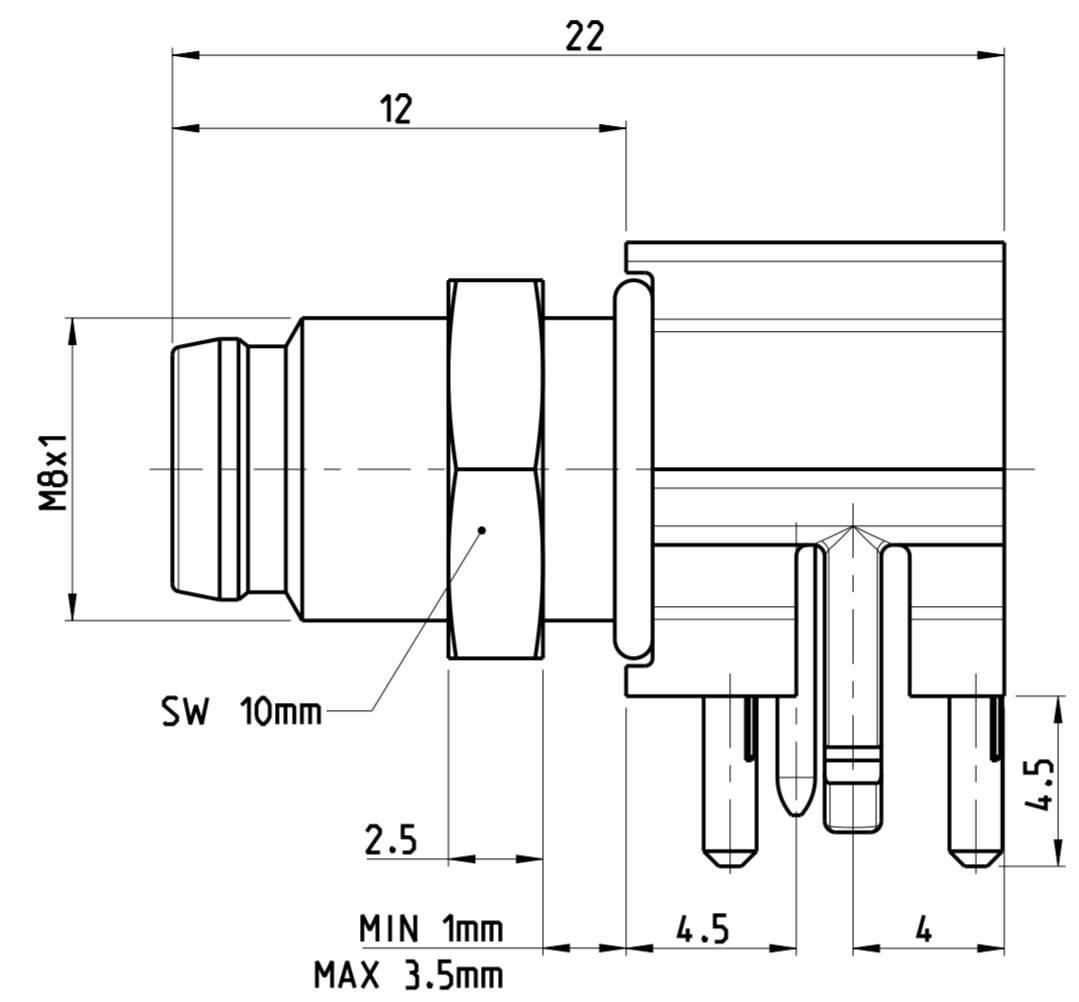


THIS DRAWING IS UNPUBLISHED.  
 VERTRÄGLICHE UNVERÖFFENTLICHTE ZEICHNUNG  
 © COPYRIGHT 2014 Tyco Electronics AMP GmbH  
 RELEASED FOR PUBLICATION  
 FREI FÜR VERÖFFENTLICHUNG  
 2014  
 ALL RIGHTS RESERVED.  
 ALLE RECHTE VORBEHALTEN.  
 MATED WITH  
 PASSEND ZU

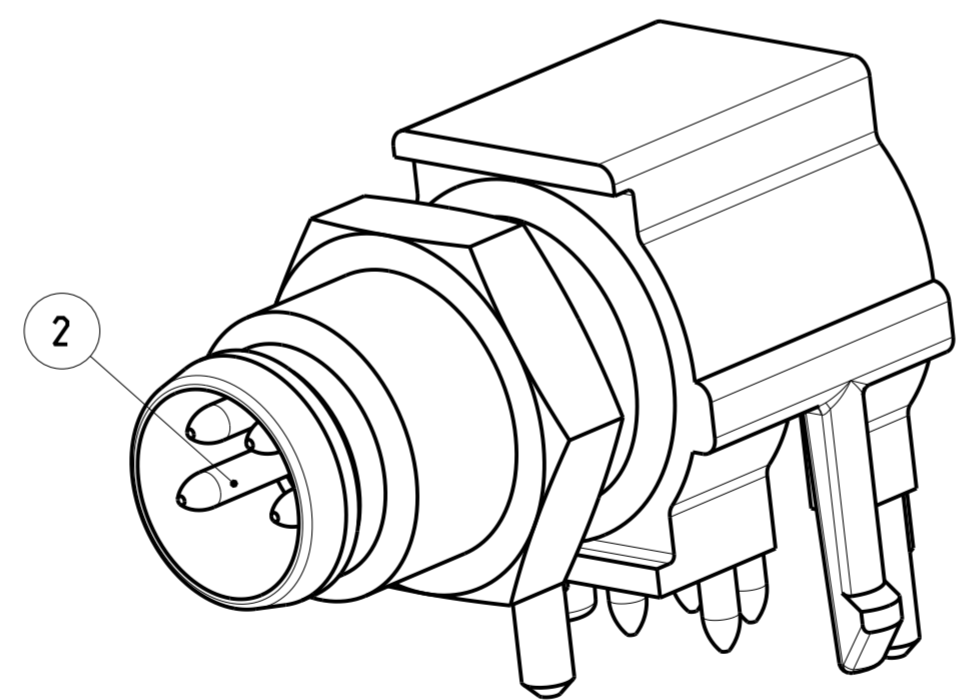
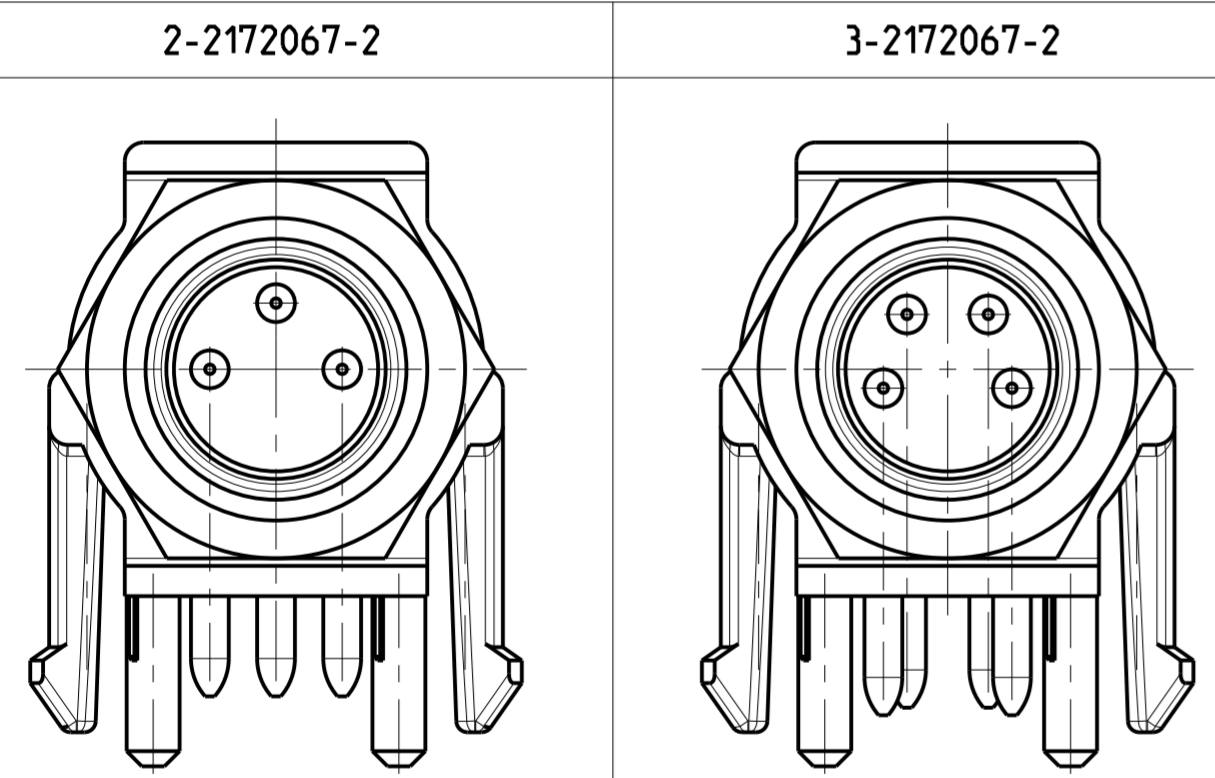
PROJECT NO.:  
 PRJ-11-000004377

REVISIONS		DATE	DWN	APVD
NO.	DESCRIPTION			
A	NEW RELEASE	04DEC2014	TJ	PS

TECHNICAL DATA	2-2172067-2	3-2172067-2
RATED VOLTAGE	60V	30V
RATED IMPULSE VOLTAGE	800V	800V
POLLUTION DEGREE	3	3
OVERVOLTAGE CATEGORY	II	II
MATERIAL GROUP	II	II
RATED CURRENT	4A	4A
VOLUME RESISTIVITY	≤ 3mΩ	≤ 3mΩ
DEGREE OF PROTECTION	IP67	IP67
UPPER TEMPERATURE	+85 °C	+85 °C
LOWER TEMPERATURE	-40 °C	+40 °C



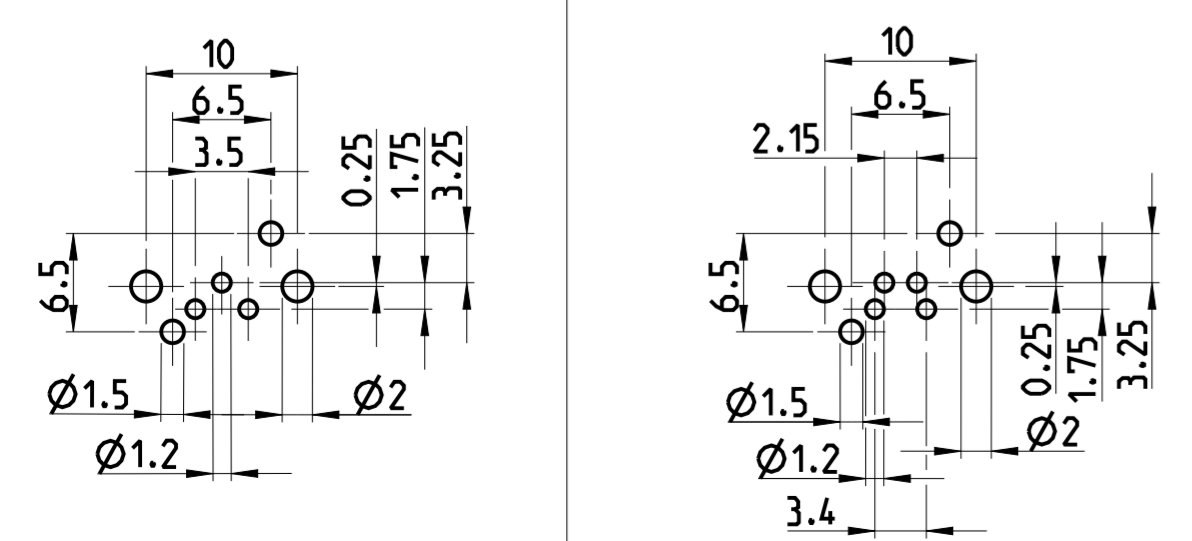
PIN ARRANGEMENT



NOTES

- 1 MATERIAL: ITEM NO. 1: CONTACT BODY - PA  
 ITEM NO. 2: CONTACT - CuZn (BRASS)  
 CONTACT FINISH - Au (GOLD)
- 2 ALL DIMENSIONS ARE FOR NOMINAL REFERENCE ONLY UNLESS OTHERWISE STATED

CONDUCTOR LAYOUT



SIZE ISO 14405 (E)

DIESE ZEICHNUNG IST EIN KONTROLLIERTES DOKUMENT. BEMASSUNGEN UND TOLERANZEN GEMAESS GPS (ISO STANDARDS).		DWN YASHKUMAR 25 JUL 2014
THIS DRAWING IS A CONTROLLED DOCUMENT. DIMENSIONING AND TOLERANCING PER GPS (ISO STANDARDS).		CHK M. BRUBAKER 25 JUL 2014
DIMENSIONS: MASSE IN MILLIMETERN: (MM)		APVD M. BRUBAKER 25 JUL 2014
TOLERANCES UNLESS OTHERWISE SPECIFIED: ALLGEMEINTOLERANZEN		NAME M8 RECEPTACLE, MALE, PCB MOUNT, ANGLED
0 PLC ±		PRODUCT SPEC 108-19483
1 PLC ±		APPLICATION SPEC 114-32127
2 PLC ±		WEIGHT -
3 PLC ±		Customer Drawing
4 PLC ±		Customer Drawing
ANGLES/WINKEL ±		SCALE MASSSTAB 5:1
FINISH/OBERFLÄCHE/FARBE		SHEET BLATT 1 OF 1
MATERIAL		REV A
SEE NOTES		RESTRICTED TO MUR FUER -
SEE NOTES		Customer Drawing

⚠	4	3-2172067-2
⚠	3	2-2172067-2
MATERIAL	NUMBER OF POLES	TE-PART-NO.



SIZE A2	CAGE CODE 00779	DRAWING NO. C-2172067	RESTRICTED TO MUR FUER -
KUNDENZEICHNUNG		SCALE MASSSTAB 5:1	SHEET BLATT 1 OF 1
Customer Drawing		REV A	

单击下面可查看定价，库存，交付和生命周期等信息

[>>TE Connectivity\(泰科\)](#)