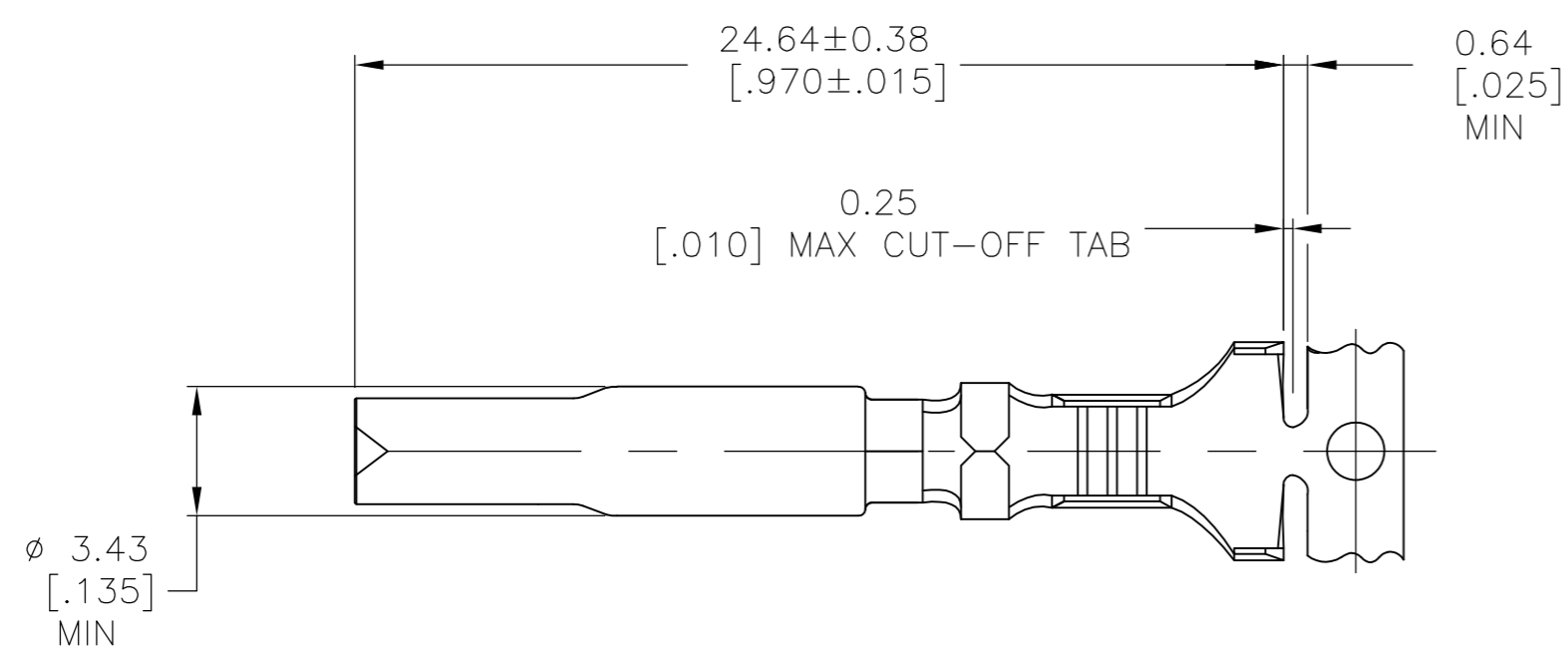
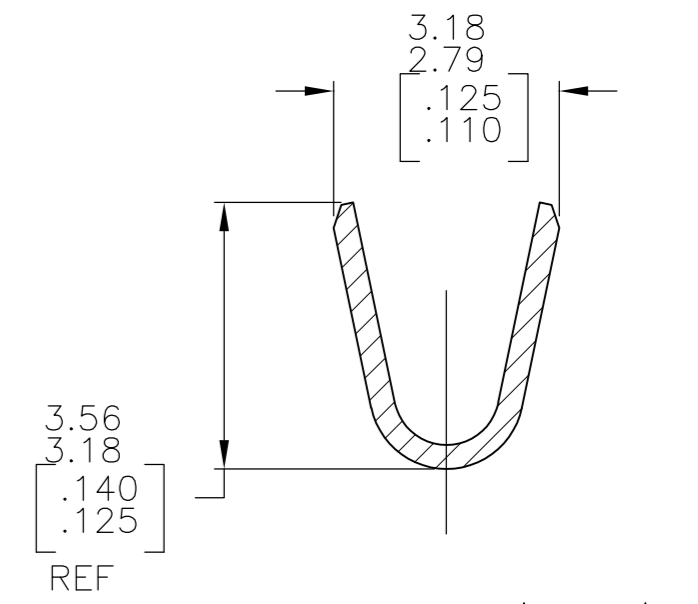
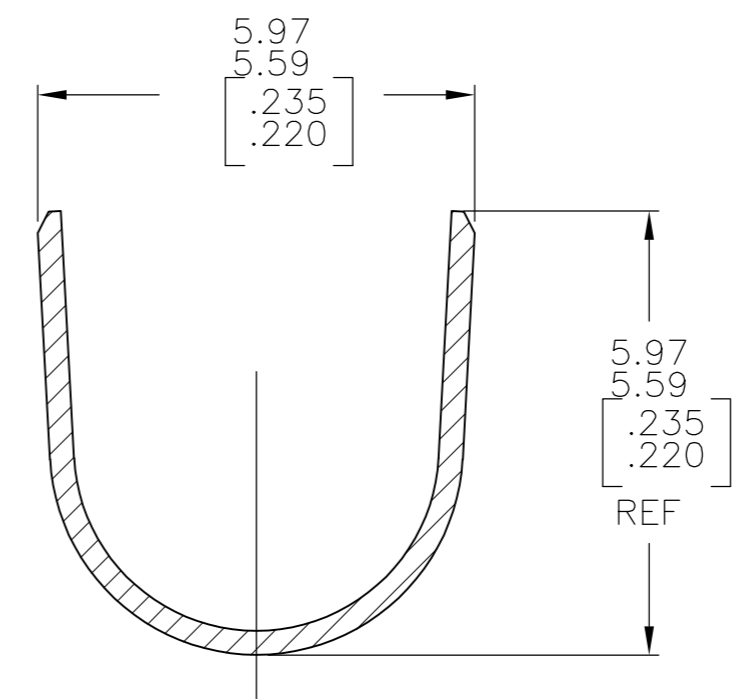
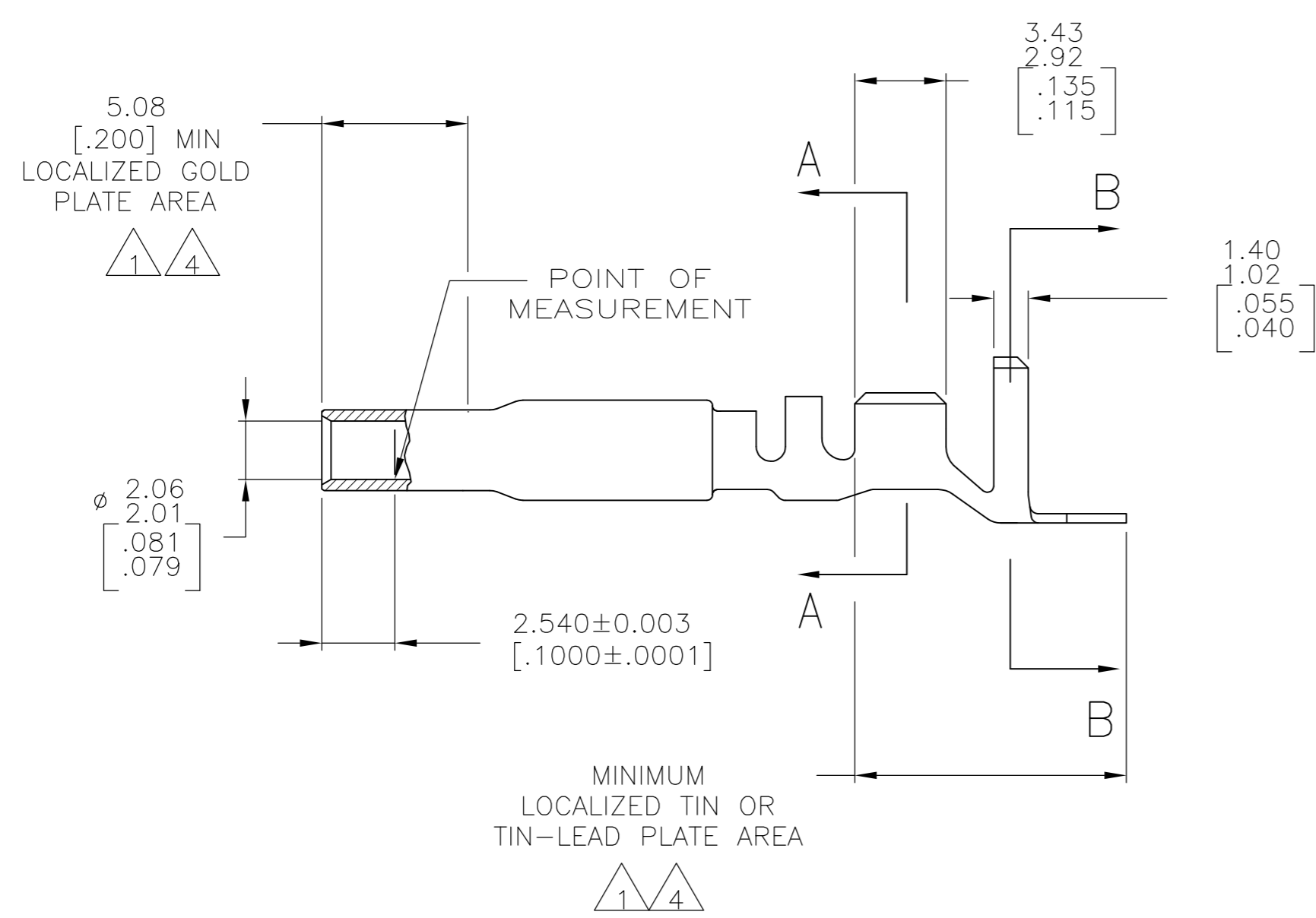


THIS DRAWING IS UNPUBLISHED. RELEASED FOR PUBLICATION
 © COPYRIGHT - By - ALL RIGHTS RESERVED.

LOC		DIST		REVISIONS			
P	LTR	DESCRIPTION		DATE	DWN	APVD	
CM	00	G1	REVISED PER ECO-11-004917		11MAR11	RK	HMR

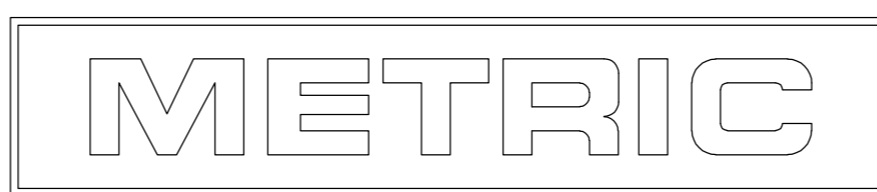


- 1. 0.00076[.000030] MIN GOLD AT POINT OF MEASUREMENT IN THE LOCALIZED GOLD PLATE AREA, 0.00127[.000050] MIN TIN-LEAD IN TIN-LEAD PLATE AREA, 0.00127[.000050] MIN NICKEL UNDERPLATE ON ENTIRE CONTACT.
- 2. WIRE RANGE: .5-2mm² [20-14 AWG].
INSULATION RANGE: 3.30-5.08[.130-.200] DIA.
- 3. DIMENSIONS IN BRACKETS ARE IN INCHES.
- 4. 0.00076[.000030] MIN GOLD AT POINT OF MEASUREMENT IN THE LOCALIZED GOLD PLATE AREA, 0.00127[.000050] MIN MATTE TIN IN MATTE TIN PLATE AREA, 0.00127[.000050] MIN NICKEL UNDERPLATE ON ENTIRE CONTACT.



FINISH	MATERIAL	PART NUMBER
GOLD 4	0.30[.012] PH BRZ	1-770006-0
GOLD 1	0.30[.012] PH BRZ	770006-4
PRE-TIN	0.30[.012] PH BRZ	770006-3

THIS DRAWING IS A CONTROLLED DOCUMENT.		DWN	11AUG03	STE TE Connectivity	
DIMENSIONS: mm [INCHES]		CHK	11AUG03		
TOLERANCES UNLESS OTHERWISE SPECIFIED:		S.CARPENTER		NAME	
0 PLC ± -		C.JONES			
1 PLC ± -		C.JONES		SOCKET, UNIVERSAL MATE-N-LOK(TM) II	
2 PLC ± -		C.JONES			
3 PLC ± -		11AUG03		SIZE	
4 PLC ± -		PRODUCT SPEC		CAGE CODE	
ANGLES ± -		APPLICATION SPEC		DRAWING NO	
MATERIAL SEE TABLE		WEIGHT		RESTRICTED TO	
FINISH SEE TABLE		CUSTOMER DRAWING		SCALE	
		A2		SHEET	
		00779		1 OF 1	
		C=770006		REV	
		4:1		G1	



单击下面可查看定价，库存，交付和生命周期等信息

[>>TE Connectivity\(泰科\)](#)