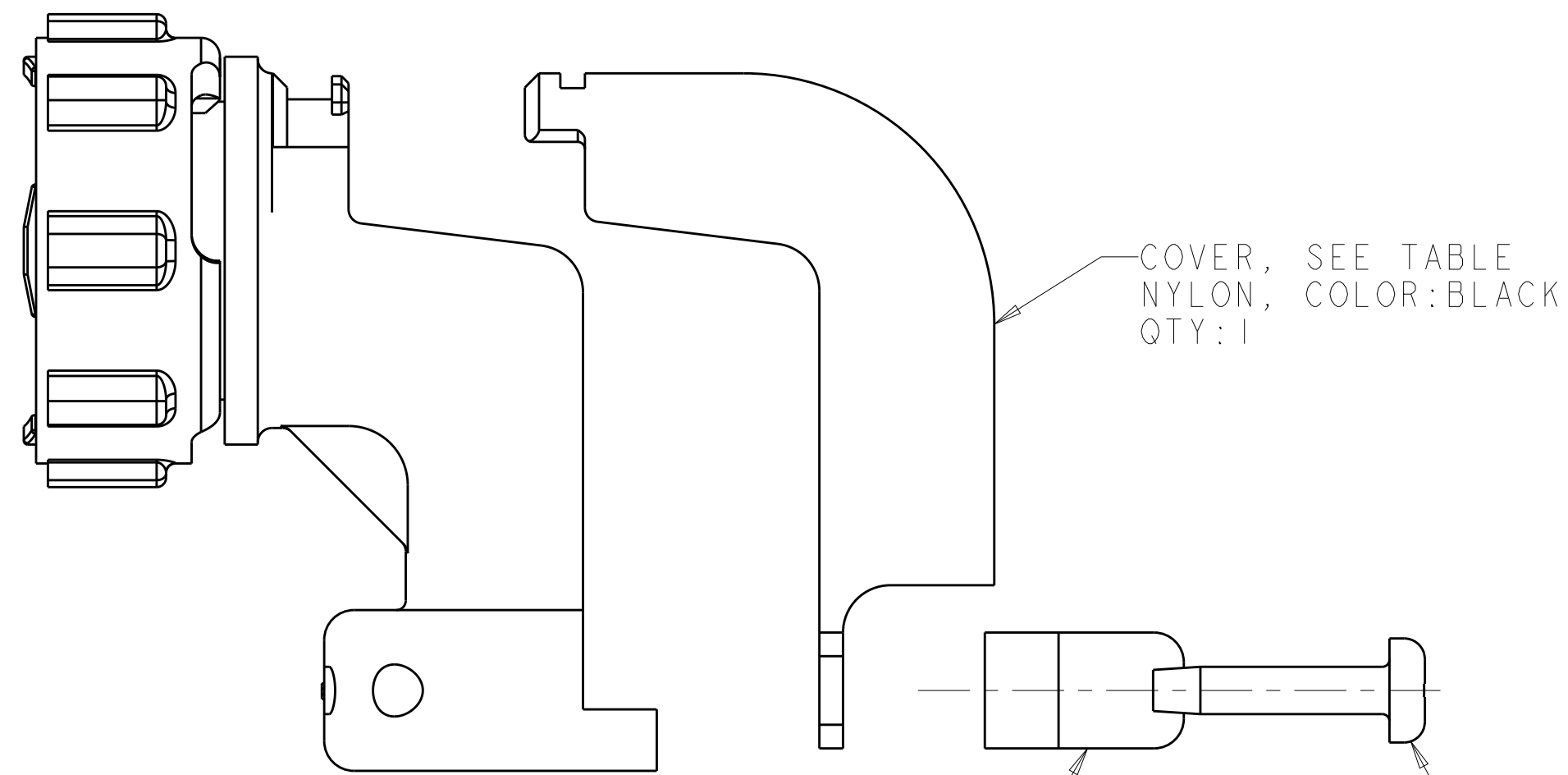
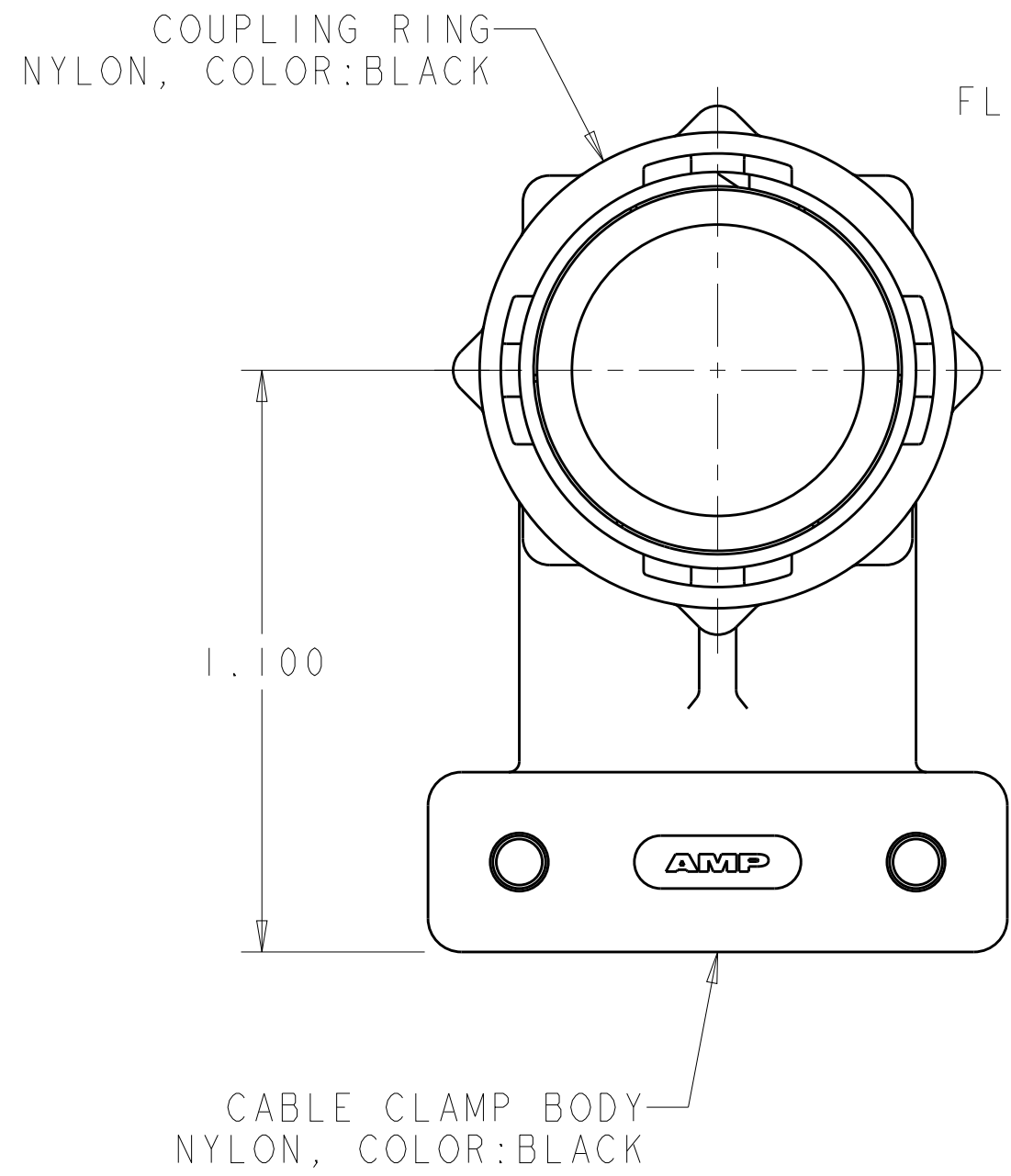


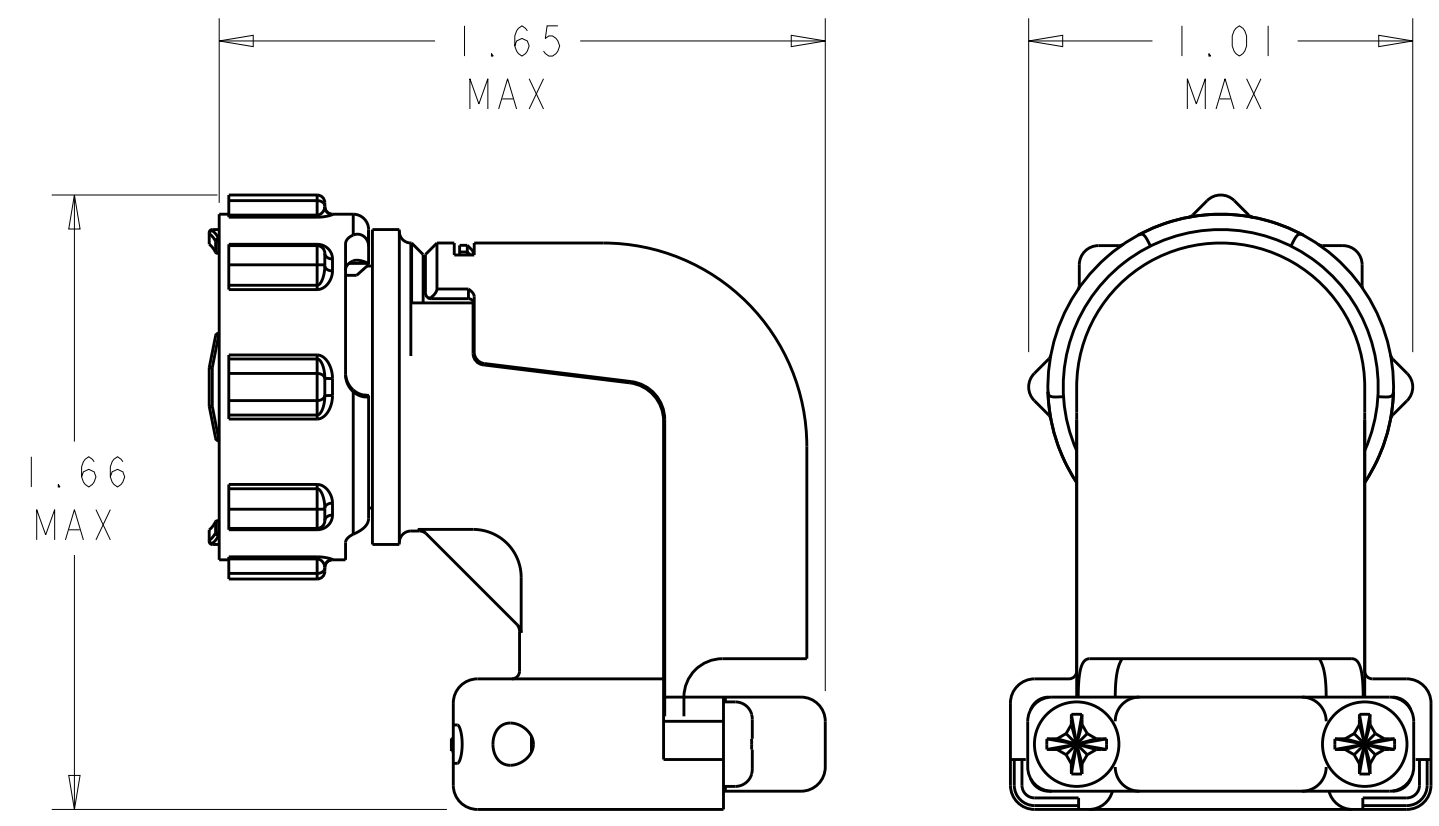
THIS DRAWING IS UNPUBLISHED. RELEASED FOR PUBLICATION  
 © COPYRIGHT 20 BY - ALL RIGHTS RESERVED.

REVISIONS				
P	LTR	DESCRIPTION	DATE	APVD
	CI	REVISED PER ECO-16-004800	08SEP2016	NK MZ



1 5-20 SELF TAPPING SCREW  
 MATERIAL: STEEL  
 FINISH: SEE TABLE  
 QTY:2

- 1 SELF TAPPING SCREWS AND CABLE CLAMP INSERTS PACKAGED UNASSEMBLED.
- 2 CLAMPING AREA ADJUSTABLE TO .453 O.D. MAX CABLE. CABLE CLAMP INSERTS CAN BE ADJUSTED BY INVERTING OR CHANGING CABLE CLAMP INSERT.



ASSEMBLED VIEW  
 SCALE 2:1

	ZINC PLATED NON-HEXAVALENT CHROMATE	YES	1546746-4
	ZINC PLATED NON-HEXAVALENT CHROMATE	NO	1546746-3
	ZINC PLATED NON-HEXAVALENT CHROMATE	YES	1546746-2
OBSOLETE	ZINC PLATED NON-HEXAVALENT CHROMATE	NO	1546746-1
	SCREW FINISH	COVER	PART NUMBER

THIS DRAWING IS A CONTROLLED DOCUMENT.

DWN S. WELDON 06 JUN 2003	TE Connectivity					
CHK H. WAKEEM 06 JUN 2003						
APVD H. WAKEEM 06 JUN 2003						
NAME CABLE CLAMP KIT, UNASSEMBLED, R/A, W/COVER, SIZE 11, MINI CPC						
DIMENSIONS: INCHES	TOLERANCES UNLESS OTHERWISE SPECIFIED:	PRODUCT SPEC	SIZE	CAGE CODE	DRAWING NO	RESTRICTED TO
0 PLC ±	1 PLC ±	-	A2	00779	C-1546746	-
2 PLC ±	2 PLC ±	-	SCALE	3:1	SHEET	OF
3 PLC ±0.005	3 PLC ±	APPLICATION SPEC	CUSTOMER DRAWING			REV
4 PLC ±	4 PLC ±	-				CI
ANGLES ±	FINISH -	WEIGHT -				

单击下面可查看定价，库存，交付和生命周期等信息

[>>TE Connectivity\(泰科\)](#)