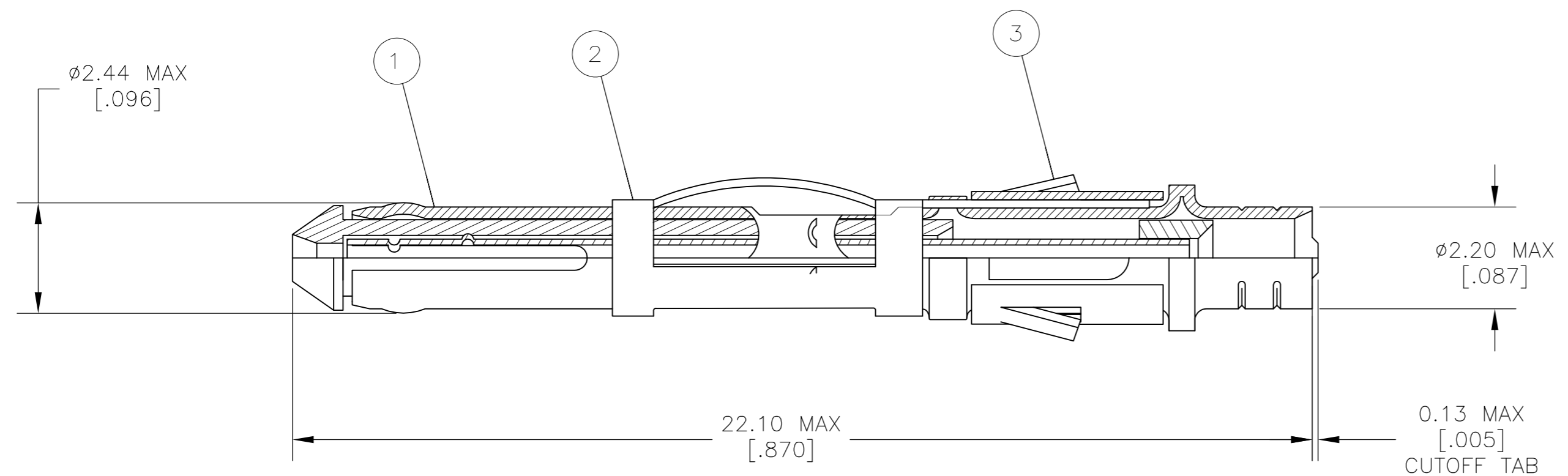
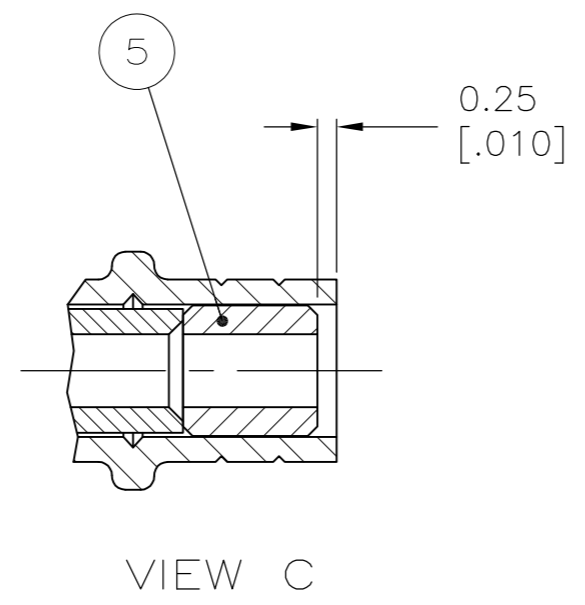
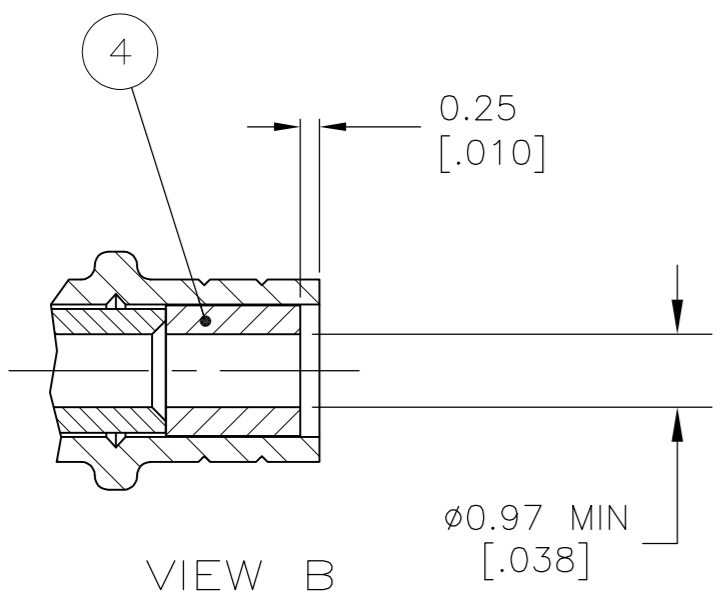


THIS DRAWING IS UNPUBLISHED. RELEASED FOR PUBLICATION
 © COPYRIGHT BY TYCO ELECTRONICS CORPORATION. ALL RIGHTS RESERVED.

LOC		DIST		REVISIONS			
P	LTR	DESCRIPTION	DATE	DWN	APVD		
		V2	REVISED PER ECO-06-019979	21AUG2006	KS	GM	
		V3	REVISED PER ECO-09-020774	25AUG09	KK	AEG	



- 1. PTFE PER MIL-P-19468.
- 2. GOLD PLATE PER MIL-G-45204, .000030 ON MATING SURFACES, FLASH ON REMAINDER.
- 3. NICKEL PL PER QQ-N-290.
- 4. STAINLESS STEEL PER QQ-S-766.
- 5. POLYPROPYLENE, GENERAL PURPOSE.
- 6. BERYLLIUM COPPER PER QQ-C-533.
- 7. BRASS PER MIL-C-50.
- 8. BRASS PER ASTM-B-135.
- 9. TIN PL PER MIL-T-10727.
- 10. WEIGHT: .013 OZ
- 11. FOR CABLE SELECTION, FERRULE AND HANDTOOL PART NOS. SE 1.S. 2024-2.
- 12. GOLD PL PER MIL-G-45204, .000050 ON MATING SURFACES, FLASH ON REMAINDER.
- 13. OBSOLETE PARTS: OBSOLETE CIS STREAMLINING PER D.RENAUD/D.SINISI



13	OBSOLETE	1	A	-	-	-	-	1-51652-3	1-51563-5					
	OBSOLETE		B	-	221993-1	51671-1	1-50606-4	51562-2	1-51563-4					
	OBSOLETE		B	-	51569-1	51671-1	-	51562-1	51563-9					
	OBSOLETE		A	-	-	51671-1	-	51562-1	51563-8					
	OBSOLETE		C	51673-2	-	51671-1	1-50606-4	51562-2	51563-6					
	OBSOLETE		B	-	51569-1	51671-1	1-50606-4	51562-2	51563-5					
	OBSOLETE		A	-	-	51671-1	1-50606-4	51562-2	51563-4					
	OBSOLETE		C	51673-2	-	51671-1	1-50606-4	51562-1	51563-3					
	OBSOLETE		B	-	51569-1	51671-1	1-50606-4	51562-1	51563-2					
	OBSOLETE		A	-	-	51671-1	1-50606-4	51562-1	51563-1					
	NOTE		VIEW	5	BUSHING QTY=1	4	SLEEVE QTY=1	3	SPRING RETENTION QTY=1	2	ALIGNMENT SPRING QTY=1	1	MATERIAL	PART NUMBER

THIS DRAWING IS A CONTROLLED DOCUMENT.

DWN	S. KOHL	5/3/91
CHK	B. WERNER	5/12/91
APVD	D. DOYE	5/12/91

Tyco Electronics Tyco Electronics Corporation
Harrisburg, PA 17105-3608

PIN CONTACT, SUBMINIATURE

SIZE	CAGE CODE	DRAWING NO	RESTRICTED TO
A2	00779	C=51563	-

CUSTOMER DRAWING SCALE 10:1 SHEET 1 of 1 REV V3

单击下面可查看定价，库存，交付和生命周期等信息

[>>TE Connectivity\(泰科\)](#)