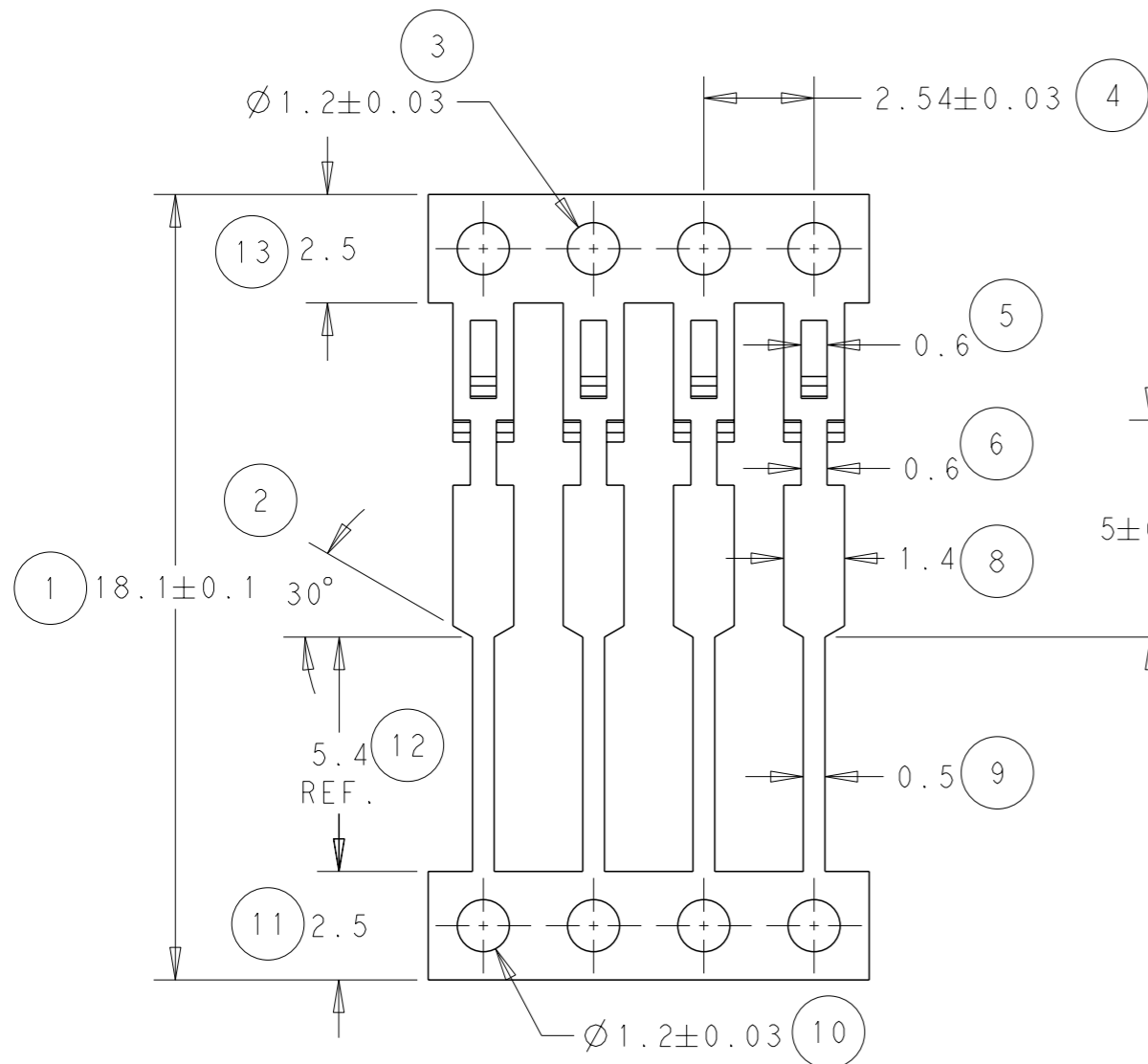
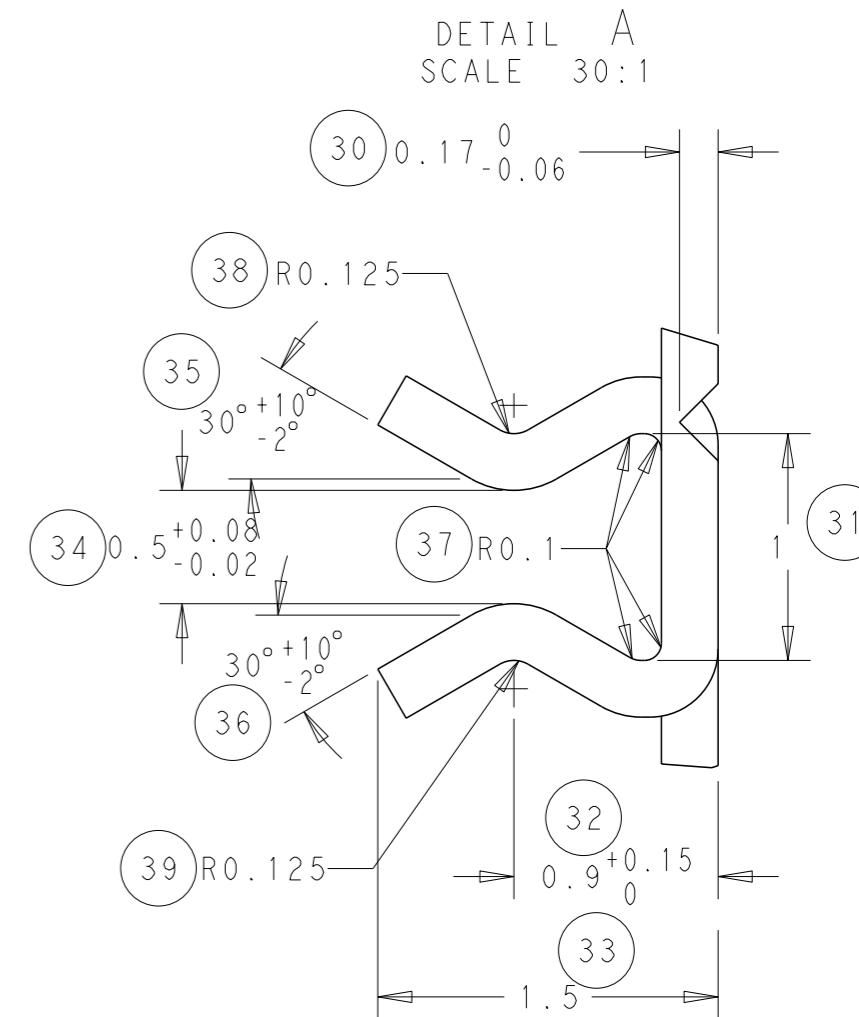


LOC	DIST	REVISIONS					
		P	LTR	DESCRIPTION	DATE	DWN	APVD
B	-		D	ECR-11-018847	13/09/11	JB	MG
			E	ECR-11-023742	22/11/11	JB	MG

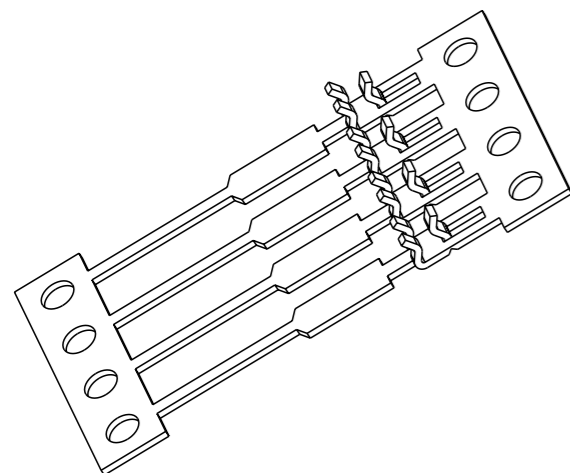


SEE DETAIL A

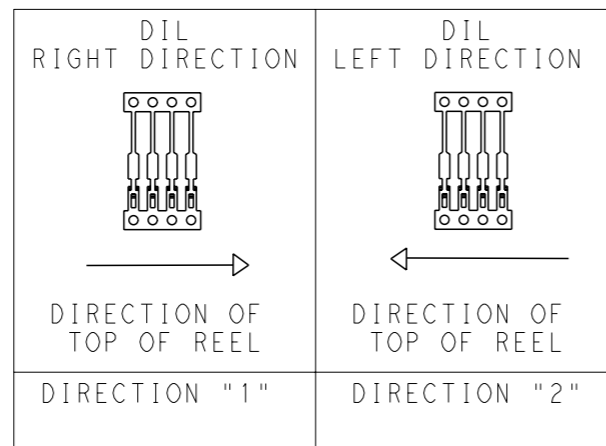
DETAIL A SCALE 30:1



NOTE
 BOWING: AFTER UPPER TIE BAR REMOVAL - 1.5mm MAX. FOR 500mm
 PITCH: AFTER UPPER TIE BAR REMOVAL - 2.54±0.127
 INTERIOR RADS 0.1mm TYPICAL



SCALE 4:1



THIS DRAWING IS A CONTROLLED DOCUMENT.

DIMENSIONS:	TOLERANCES UNLESS OTHERWISE SPECIFIED:
mm	0 PLC ±-
	1 PLC ±-
	2 PLC ±0.05
	3 PLC ±-
	4 PLC ±-
	ANGLES ±0.5
MATERIAL	FINISH
AISI 01	-

DWN	J. BRIGHT	19/08/11
CHK	M. GREENER	19/08/11
APVD	D. PENNINGTON	19/08/11
PRODUCT SPEC	-	-
APPLICATION SPEC	-	-
WEIGHT	-	-

2	Ni & Sn	0-1544187-2
1	Ni & Sn	0-1544187-1
REELING	FINISH	PART NUMBER

TE Connectivity			
NAME			
DIL CONTACT			
SIZE	CAGE CODE	DRAWING NO	RESTRICTED TO
A3	00779	C-1544187	-
CUSTOMER DRAWING		SCALE	SHEET 1 OF 1
		NTS	REV E

单击下面可查看定价，库存，交付和生命周期等信息

[>>TE Connectivity\(泰科\)](#)