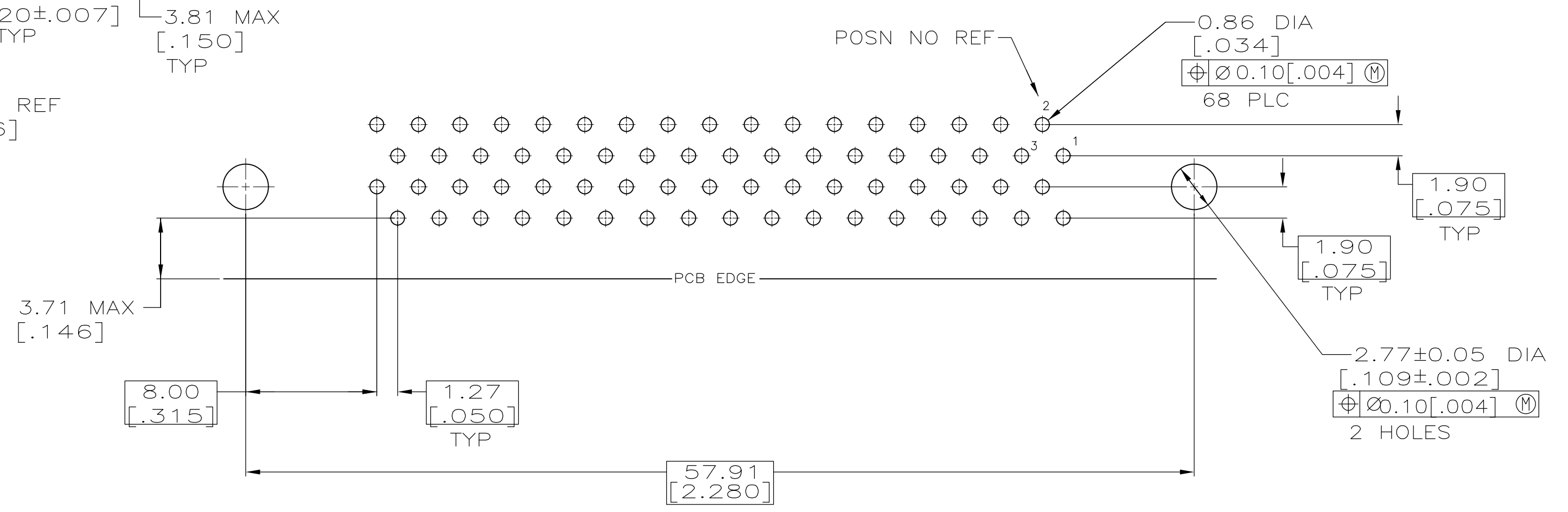
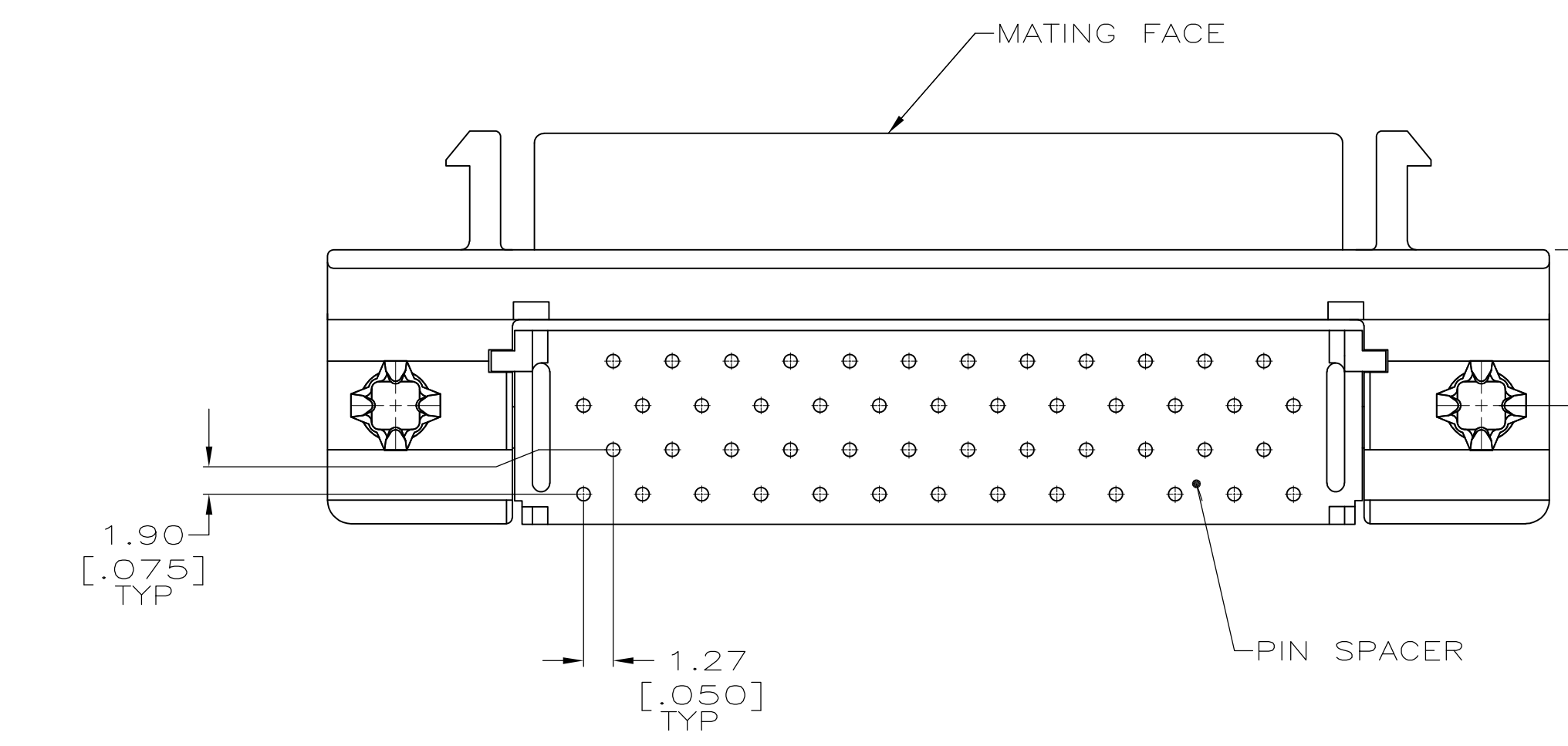


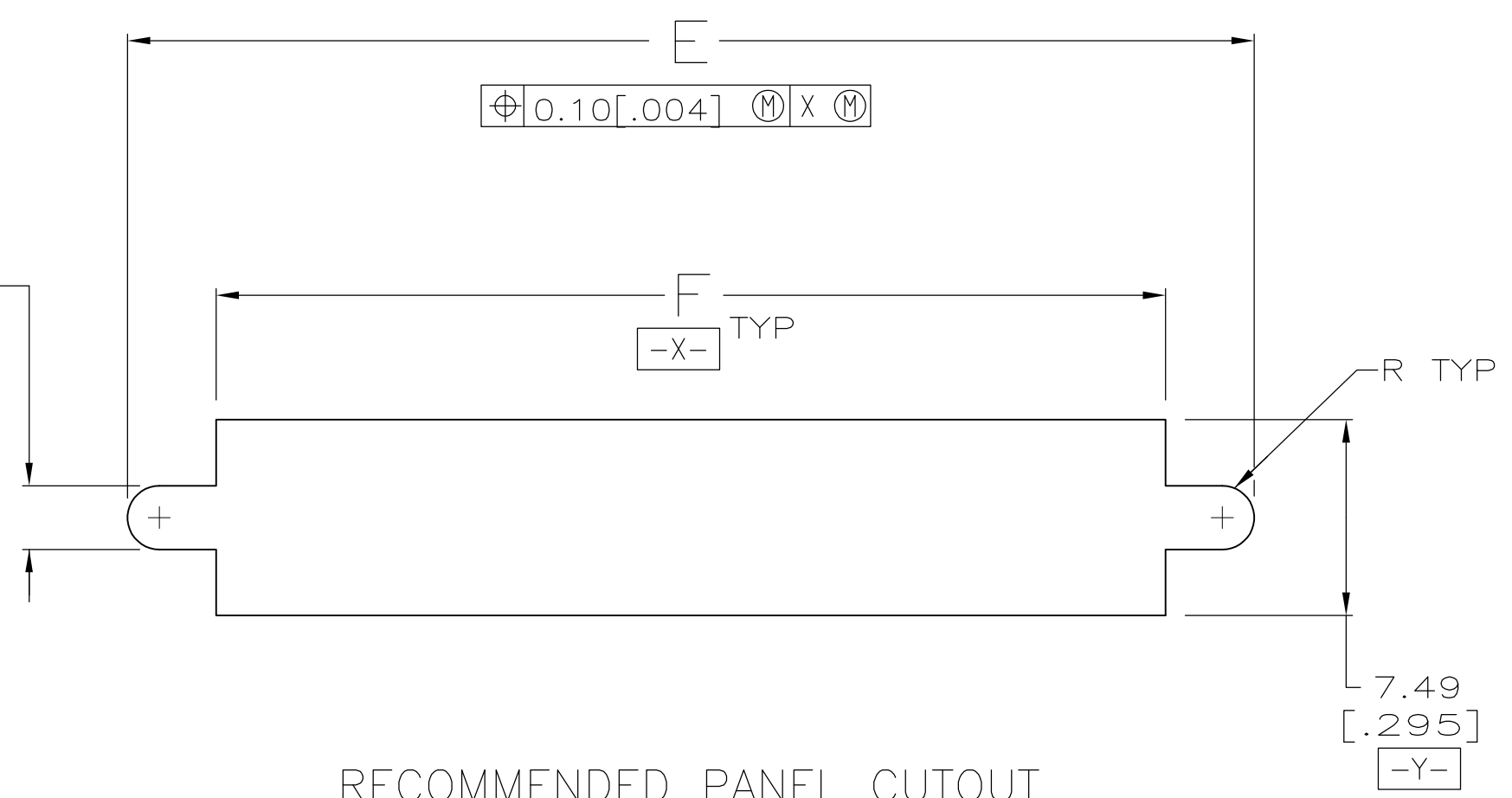
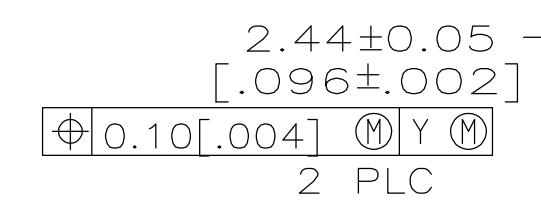
P.C. BOARD MOUNTING DIMENSIONS  
 CONNECTOR SIDE  
 P.C. BOARD THICKNESS 2.36±0.20 [.093±.008]  
 PC BOARD PATTERN S



P.C. BOARD MOUNTING DIMENSIONS  
 CONNECTOR SIDE  
 P.C. BOARD THICKNESS 2.36±0.20 [.093±.008]  
 PC BOARD PATTERN T

**MATERIAL**  
 CONTACTS: PHOSPHOR BRONZE  
 HOUSING & PIN SPACER: UL 94V-0 RATED, THERMOPLASTIC, BLACK  
 BRACKET: ZINC  
 SHELL: CARBON STEEL  
 BOARDLOCKS: COPPER ALLOY.

**CONTACTS:** EITHER 0.76µm [.000030] MIN GOLD PLATE FOR A LENGTH OF 0.64 [.025] MAX, 0.13 [.005] MIN FROM MATING END OR GOLD FLASH OVER PALLADIUM NICKEL PLATE, 0.76µm [.000030] MIN TOTAL FOR A LENGTH OF 0.64 [.025] MAX, 0.13 [.005] MIN FROM MATING END. 3.81µm [.000150] MIN TIN-LEAD FOR A LENGTH OF 3.23 [.127] MIN FROM OPPOSITE END, ALL OVER 1.27µm [.000050] MIN NICKEL UNDERPLATE.  
**SHELL:** 5.08µm [.000200] MIN NICKEL OVER 1.27µm [.000050] MIN COPPER.  
**BRACKET:** 2.54µm [.000100] MIN NICKEL OVER 5.08µm [.000200] COPPER.  
**BOARDLOCK:** 5.08µm [.000200] MIN TIN-LEAD OVER 1.27µm [.000050] MIN NICKEL.



RECOMMENDED PANEL CUTOUT

|                  |                |                  |                  |                  |                  |                  |            |             |
|------------------|----------------|------------------|------------------|------------------|------------------|------------------|------------|-------------|
| T                | 0.64<br>[.025] | 54.23<br>[2.135] | 60.35<br>[2.376] | 63.88<br>[2.515] | 46.13<br>[1.816] | 57.91<br>[2.280] | 68         | 787083-7    |
| S                | 1.27<br>[.050] | 42.80<br>[1.685] | 48.92<br>[1.926] | 52.45<br>[2.065] | 34.70<br>[1.366] | 46.48<br>[1.830] | 50         | 787083-5    |
| PC BOARD PATTERN | L              | F                | E                | D                | B                | A                | NO OF POSN | PART NUMBER |

THIS DRAWING IS A CONTROLLED DOCUMENT. DWN: D. BROCKWAY 12-14-93  
 CHK: R. STONE 1-5-94  
 R. WALTER 1-5-94  
 NAME: Tyco Electronics Corporation, Harrisburg, PA 17105-3608  
 PRODUCT SPEC: 108-1228  
 APPLICATION SPEC: 114-40029  
 WEIGHT: -  
 CUSTOMER DRAWING

RECEPTACLE ASSEMBLY, SHIELDED, RIGHT ANGLE, TM  
 SIZE: A1  
 CAGE CODE: 00779  
 DRAWING NO: 787083  
 SCALE: 4:1  
 SHEET: 1 OF 1  
 REV: T

单击下面可查看定价，库存，交付和生命周期等信息

[>>TE Connectivity\(泰科\)](#)