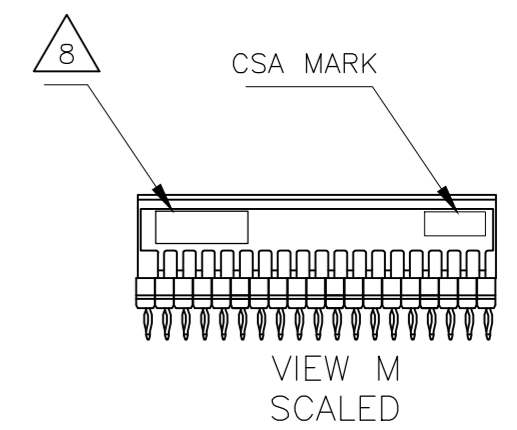
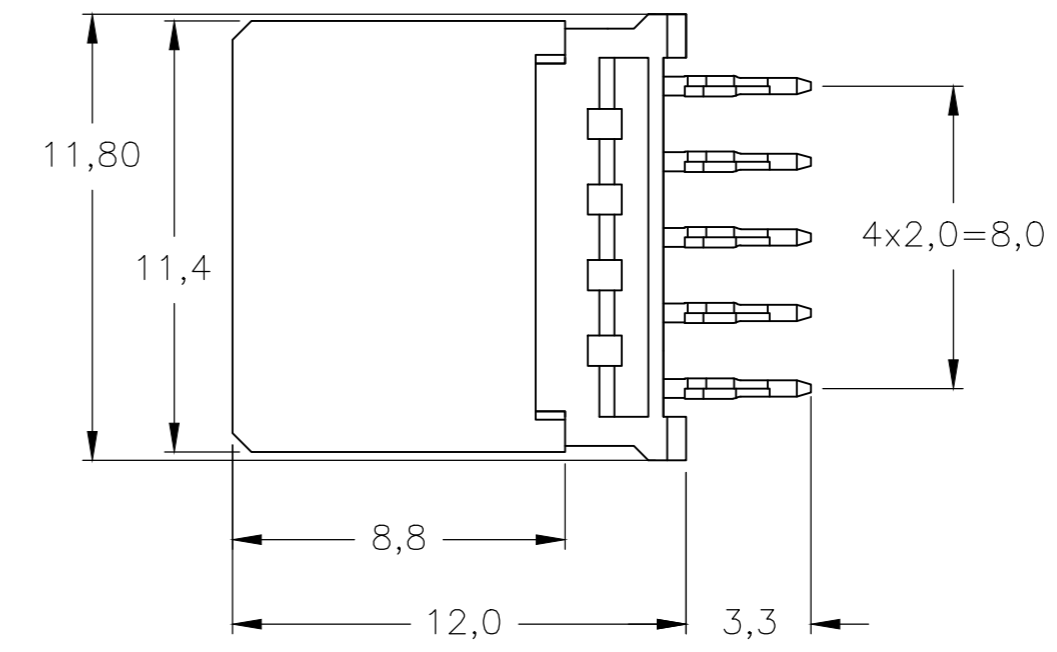
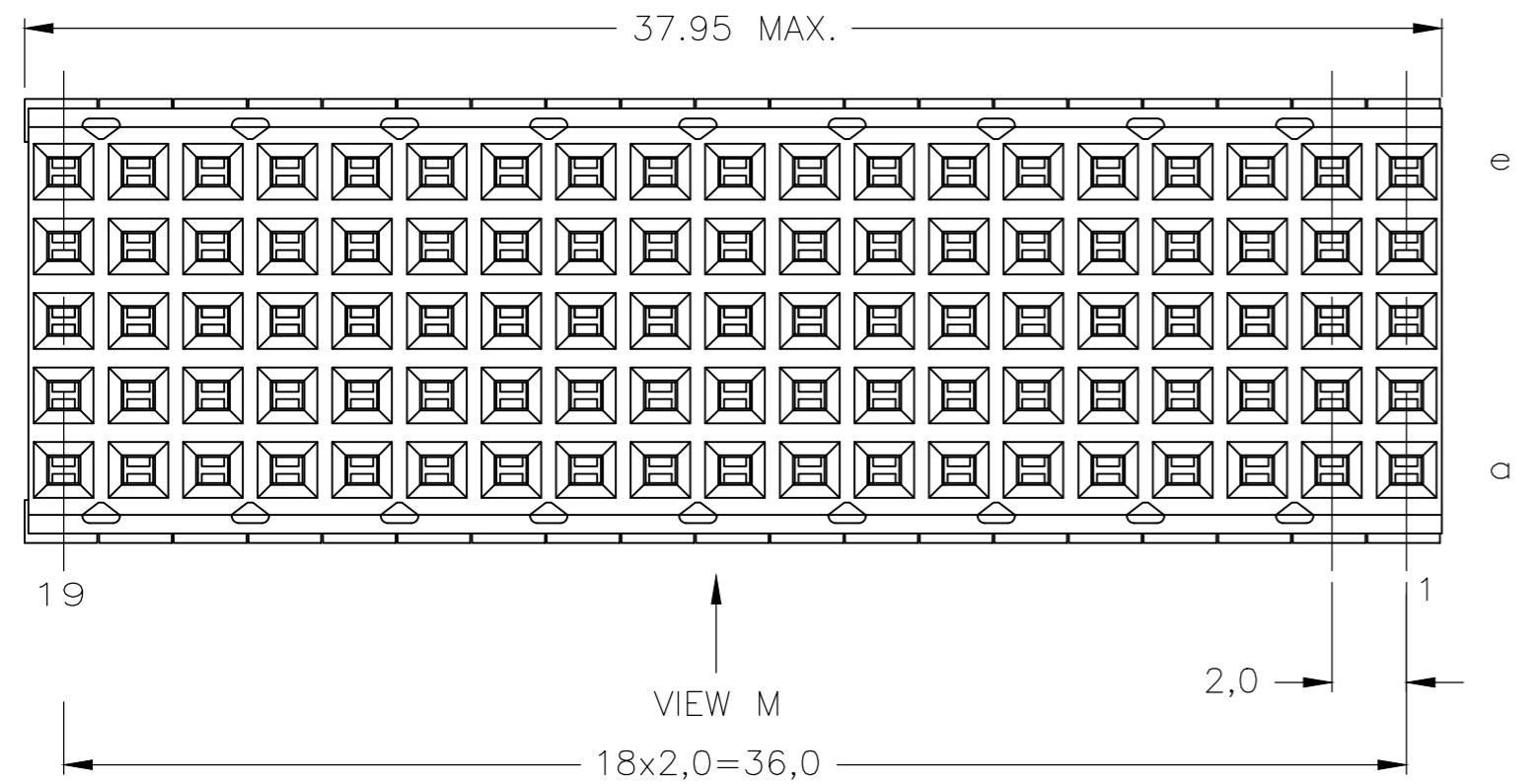
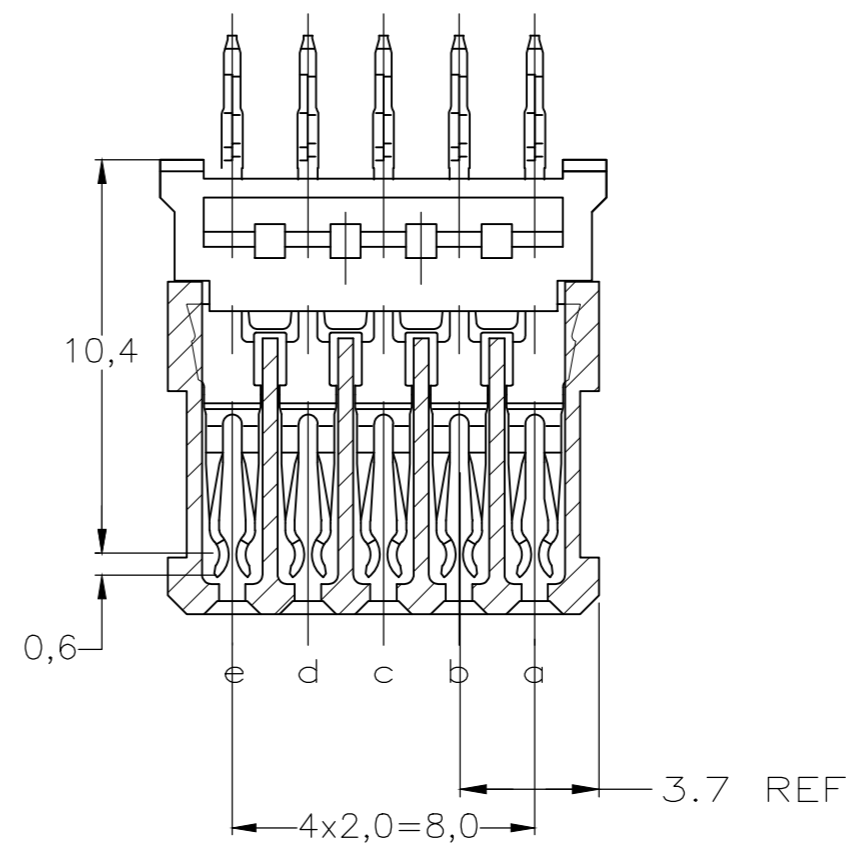
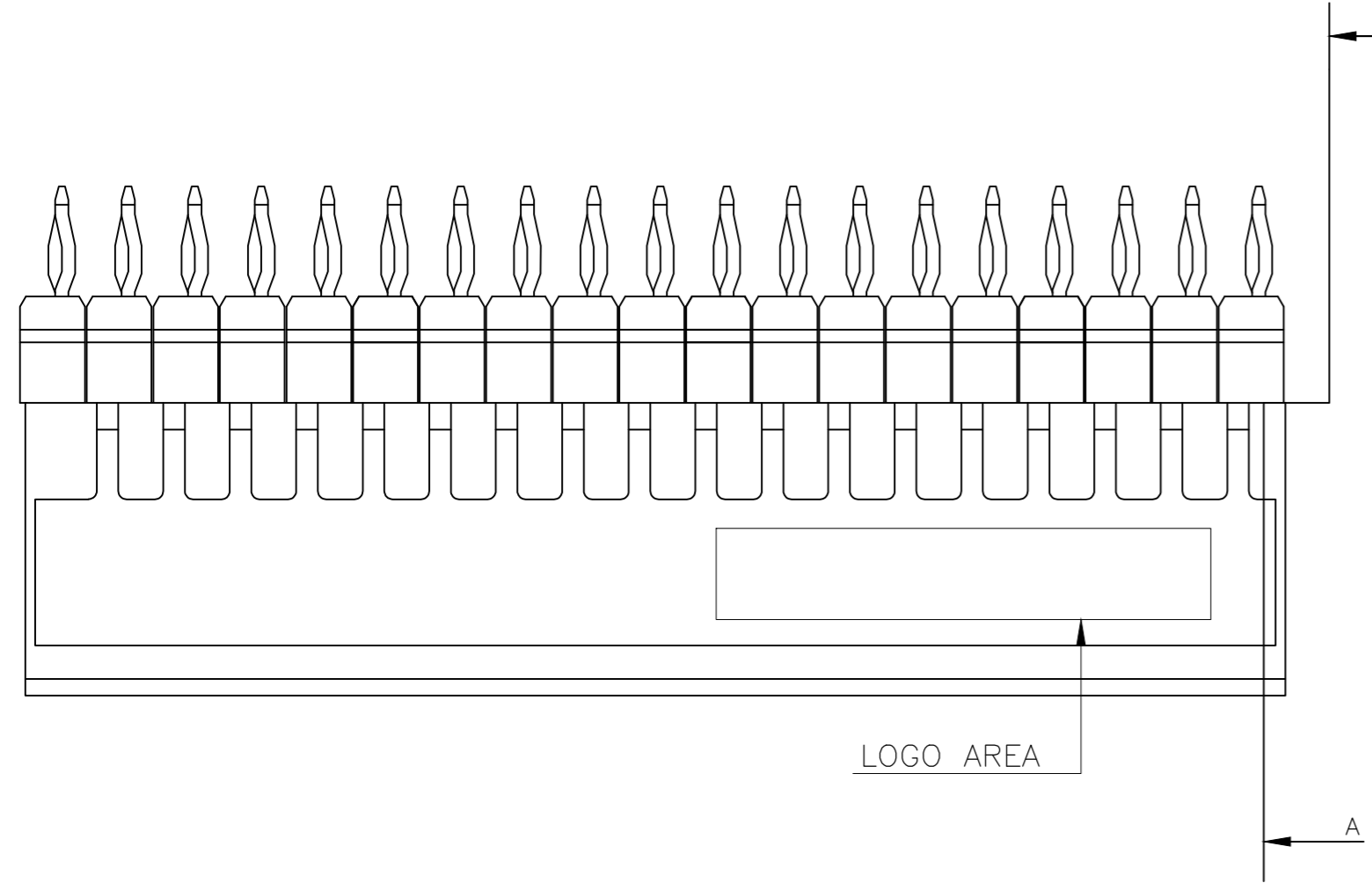
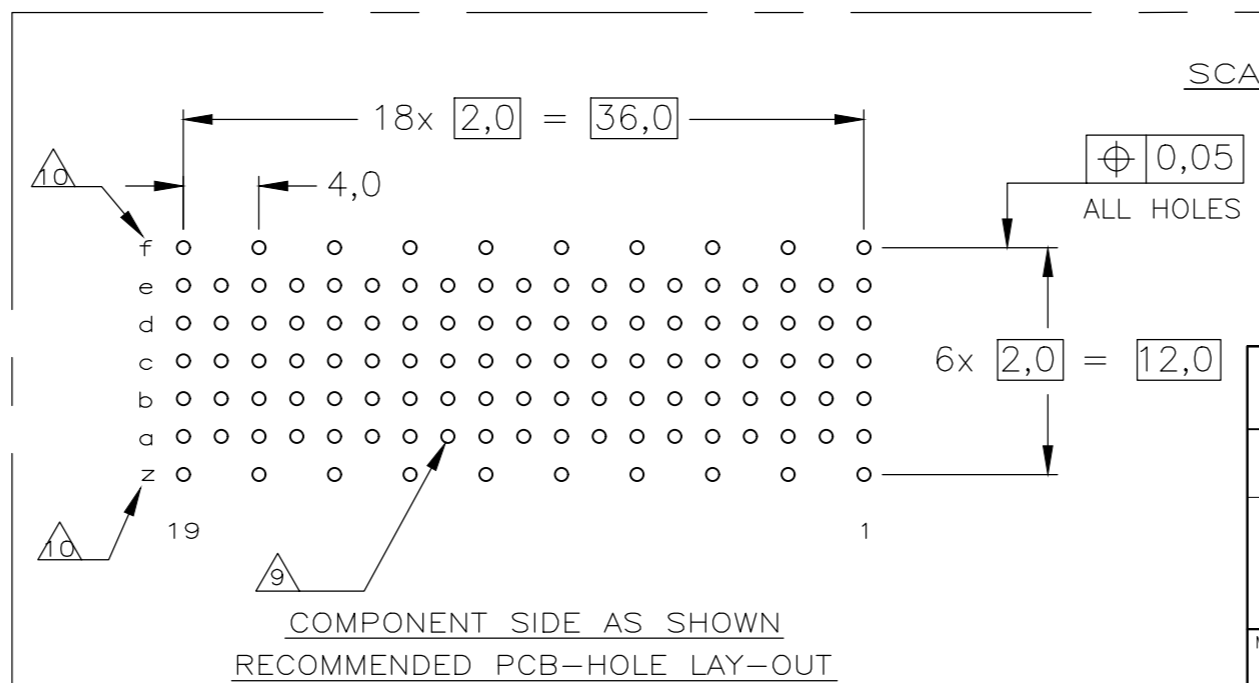


THIS DRAWING IS UNPUBLISHED. RELEASED FOR PUBLICATION. ALL RIGHTS RESERVED.

| REVISIONS | | | | | |
|-----------|-----|----------------------------|-----------|-----|------|
| P | LTR | DESCRIPTION | DATE | DWN | APVD |
| F | | RELEASED PER ECO-19-002730 | 14MAY2019 | A.S | H.L |



- NOTES:**
- 1 MATERIAL CONTACT: PHOSPHORBRONZE
MATERIAL HOUSING: GLASSFILLED POLYESTER
UL-RATING 94V0 (GRAY).
 - 2 GENERAL PLATING SPECIFICATION: UNDERPLATING (ENTIRE CONTACT):
1,27µm NICKEL MIN. AND ACTION PIN: 0,5µm TIN MIN.
FOR PLATING OF MATING SURFACES SEE APPLICABLE
SPECIFICATION REFERENCE FOR EACH DASH NUMBER.
 - 3 CONFORMS TO ALL TESTING ACCORDING IEC 61076-4-101
PERFORMANCE LEVEL 2.
 - 4 CONFORMS TO ALL TESTING ACCORDING IEC 61076-4-101
PERFORMANCE LEVEL 1.
 - 5 CONNECTOR TESTED AND QUALIFIED AGAINST TELCORDIA GR-1217-CORE
QUALITY LEVEL III, CENTRAL OFFICE APPLICATIONS.
 - 6 CONNECTOR TESTED AND QUALIFIED AGAINST TELCORDIA GR-1217-CORE
QUALITY LEVEL III, UNCONTROLLED ENVIRONMENT APPLICATIONS.
 - 7 CONNECTOR LUBRICATED WITH TELCORDIA GR-1217-CORE
APPROVED LUBRICANT.
 - 8 CONNECTOR PRINTED WITH PARTNUMBER AND DATECODE.
 - 9 PLATED-THROUGH HOLES AT 2x2mm SQUARE GRID (95 HOLES).
 - 10 HOLES IN ROW f AND z FOR POSSIBLE FUTURE USE OF
GROUND RETURN SHIELD. (SHIELDS NOT YET TOOLED)
 - 11 OBSOLETE PARTS: OBSOLETE CIS STREAMLINING PER D.RENAUD/D.SINISI



P.C.B. HOLE DIM. ACTION PIN
FOR DETAILS SEE
APPLICATION SPECIFICATION

| | | |
|--|-------------------------------|-------------|
| THIS DRAWING IS A CONTROLLED DOCUMENT. | DWN K.N.KIRAN 23AUG2004 | 1-5352269-9 |
| | CHK B.MOOIJ 27OCT2004 | 5352269-9 |
| | APVD B.MOOIJ 27OCT2004 | 5352269-4 |
| | PRODUCT SPEC 108-19082 | 5352269-1 |
| | APPLICATION SPEC 114-19029 | |
| | WEIGHT 0.000000 | |
| | CUSTOMER DRAWING | |

| FINISH | MATERIAL | PARTNUMBER |
|--------|----------|---------------|
| △△△ | △ | △ 1-5352269-9 |
| △△△ | △ | △ 5352269-9 |
| △△ | △ | △ 5352269-4 |
| △△ | △ | △ 5352269-1 |

TE TE Connectivity

Z-PACK 2mm HM TYPE B
95 POS. 19 COLUMNS VERTICAL FEMALE
CONNECTOR ASSEMBLY

| | | | |
|--------------|--------------------|-------------------------|--------------------|
| SIZE A2 | CAGE CODE 00779 | DRAWING NO C=5352269 | RESTRICTED TO - |
| SCALE 5:1 | SHEET 1 of 1 | REV F | |

单击下面可查看定价，库存，交付和生命周期等信息

[>>TE Connectivity\(泰科\)](#)