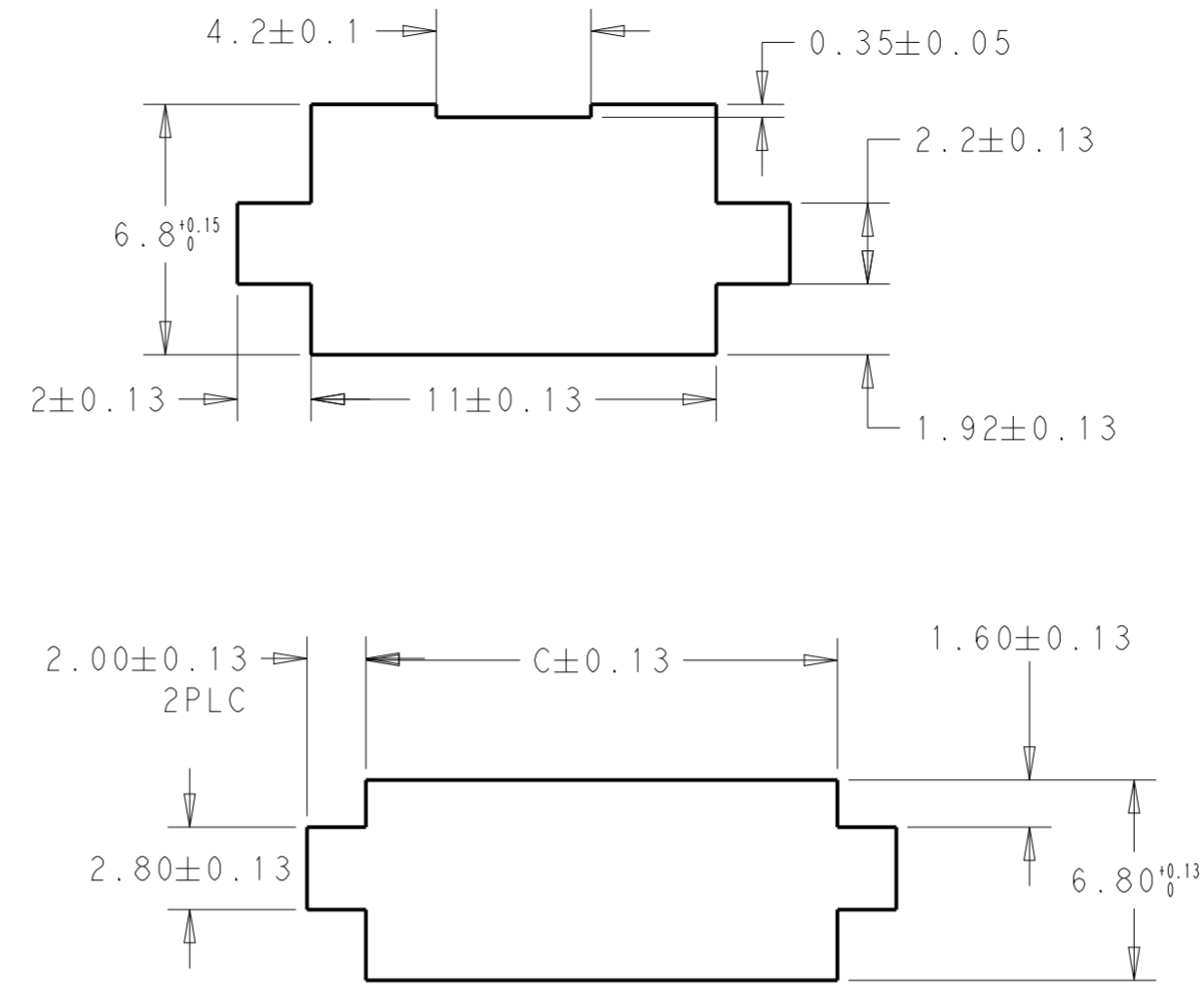
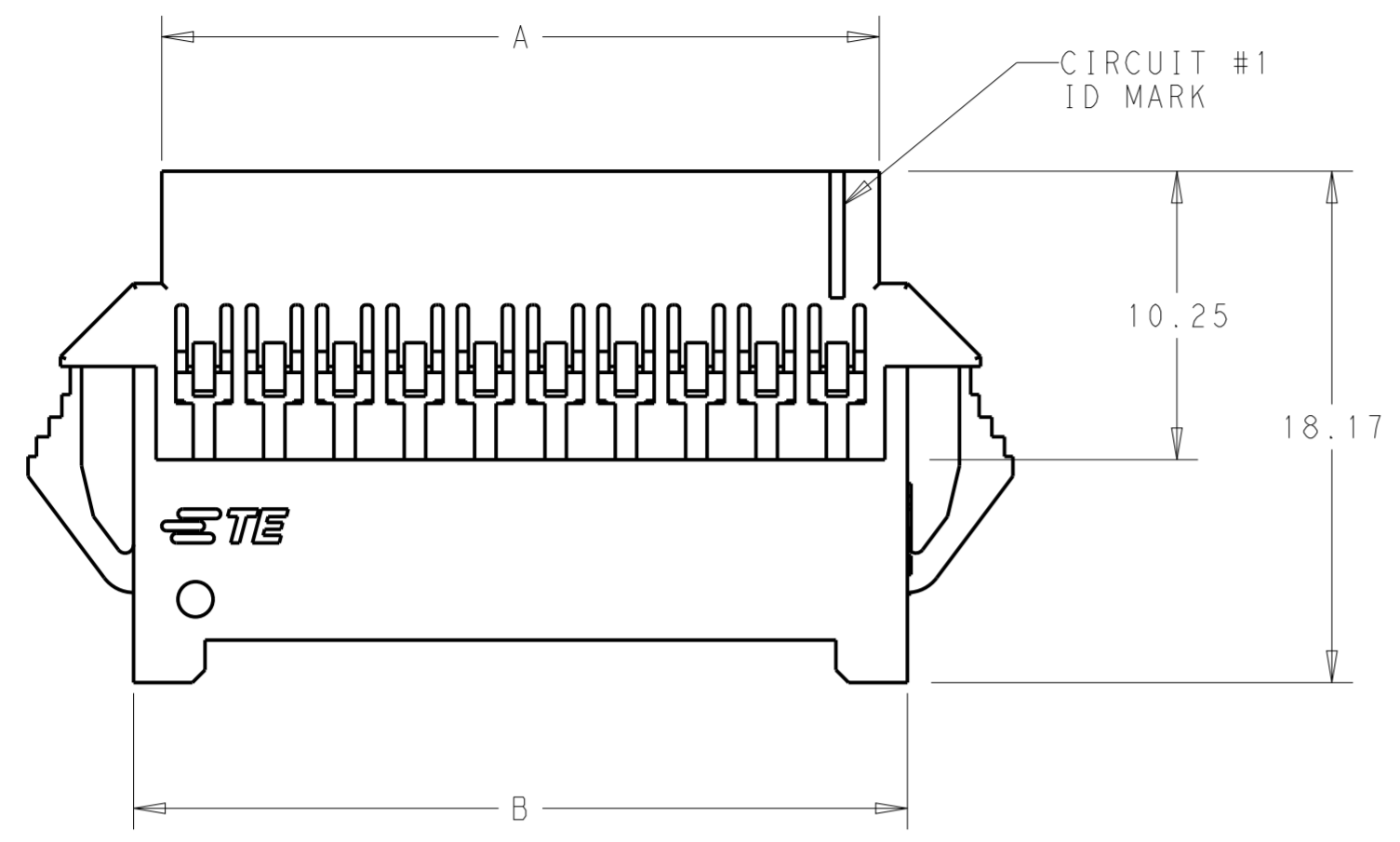
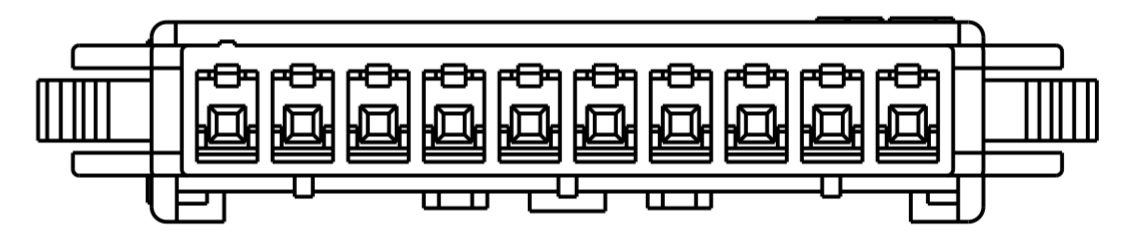
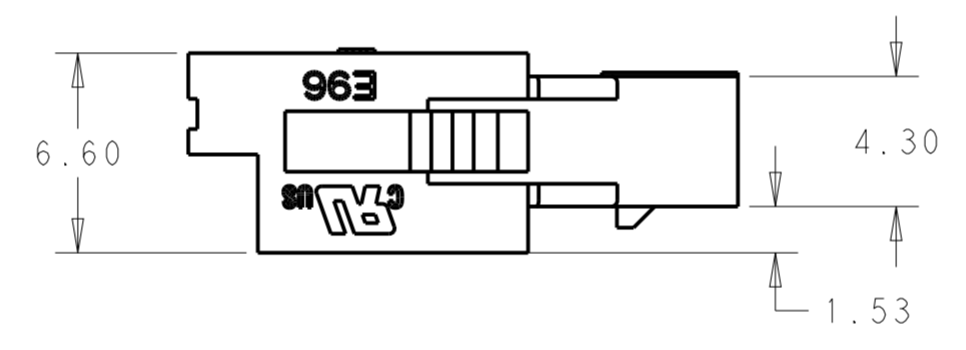
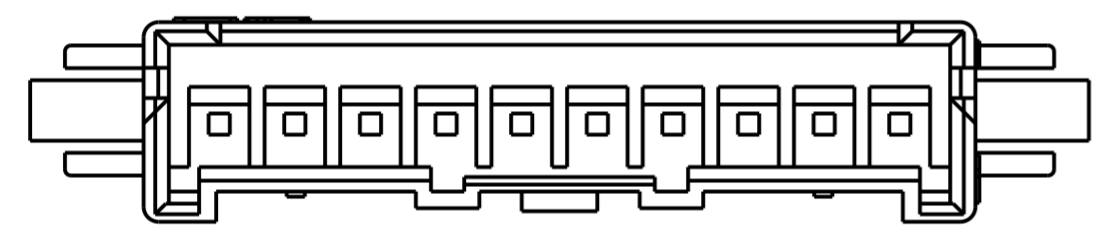


THIS DRAWING IS UNPUBLISHED. RELEASED FOR PUBLICATION 20
 © COPYRIGHT 20 BY - ALL RIGHTS RESERVED.

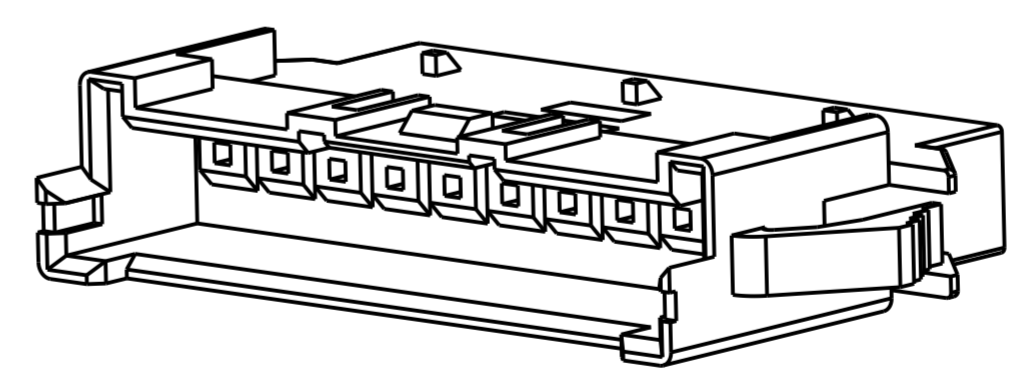
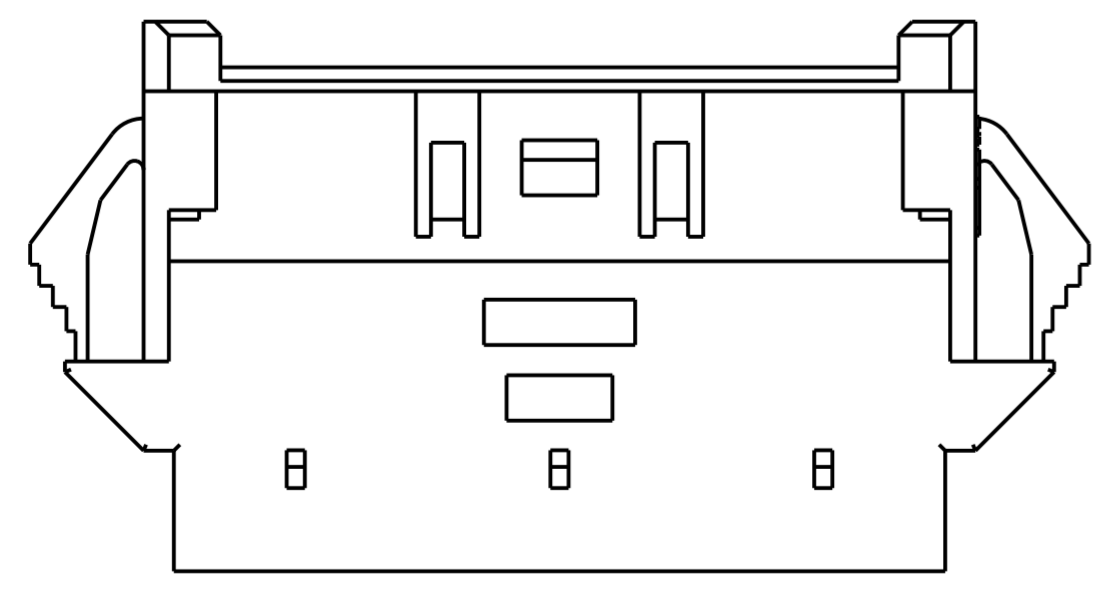
REVISIONS							
LOC	DIST	P	LTR	DESCRIPTION	DATE	DWN	APVD
-	-	B2		REVISED PER ECR-21-101173	12APR2021	SS	WH



- 1. MATERIAL: NYLON UL94V-0, FLAME RETARDANT, COLOR: NATURAL
- 2. PARTS TESTED TO IEC 60695-2-11 AND IS COMPLIANT TO IEC 60335-1.
- 3. HOUSING, MATERIAL MEETS MINIMUM GLOW WIRE FLAMMABILITY INDEX OF 850°C PER IEC 60695-2-12 AND MINIMUM GLOW WIRE IGNITION TEMP OF 775°C PER IEC 60695-2-13.
- 4. ACCEPTS TE PIN CONTACTS P/N'S 2238007-()
- 5. HOUSING ACCEPTS OPTIONAL TPA P/N'S 1969443-()
- 6. MATES WITH TE PLUG HOUSINGS P/N'S 1744417-()



6 TO 15 POSITION
 1969591-6 TO 1-1969591-5



POS	DIM.C	DIM.B	DIM.A	PART NO.
15	41.00	40.00	38.00	1-1969591-5
14	38.50	37.50	35.50	1-1969591-4
13	34.00	35.00	33.00	1-1969591-3
12	33.50	32.50	30.50	1-1969591-2
11	31.00	30.00	28.00	1-1969591-1
10	28.50	27.50	25.50	1-1969591-0
9	26.00	25.00	23.00	1969591-9
8	23.50	22.50	20.50	1969591-8
7	21.00	20.00	18.00	1969591-7
6	18.50	17.50	15.50	1969591-6
5	16.00	15.00	13.00	1969591-5
4	13.50	12.50	10.50	1969591-4
3	11.00	10.00	8.00	1969591-3
2	8.50	7.50	5.50	1969591-2

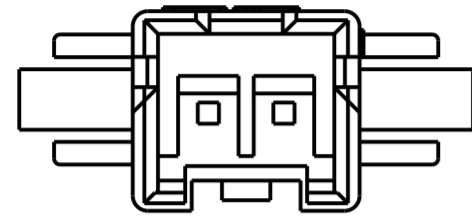
THIS DRAWING IS A CONTROLLED DOCUMENT. DWN: A, NOEL, 03OCT2012
 CHK: -
 APVD: -

DIMENSIONS: mm	TOLERANCES UNLESS OTHERWISE SPECIFIED:	PRODUCT SPEC	STE TE Connectivity	
0 PLC ±	1 PLC ±	108-2418	NAME: ECONOMY POWER 2.5, HOUSING WIRE TO WIRE, PANEL MOUNT, GLOW WIRE	
2 PLC ±0.20	3 PLC ±	APPLICATION SPEC		
4 PLC ±	ANGLES ±	114-13315	SIZE: A2	CAGE CODE: 00779
MATERIAL: 1	FINISH: -	WEIGHT: -	DRAWING NO: C-1969591	RESTRICTED TO: -
Customer Drawing			SCALE: N/A	SHEET 1 OF 2 REV B2

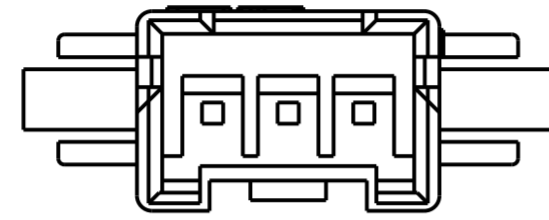
THIS DRAWING IS UNPUBLISHED. RELEASED FOR PUBLICATION 20
 © COPYRIGHT 20 BY - ALL RIGHTS RESERVED.

LOC		DIST		REVISIONS			
P	LTR	DESCRIPTION	DATE	DWN	APVD		
-	-	SEE SHEET 1	-	-	-		

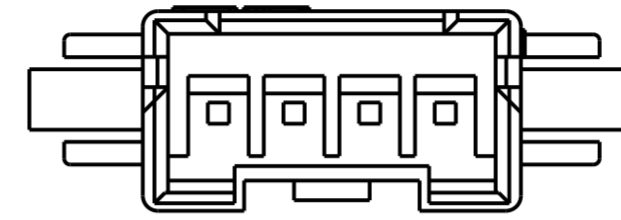
2 POSITION
1969591-2



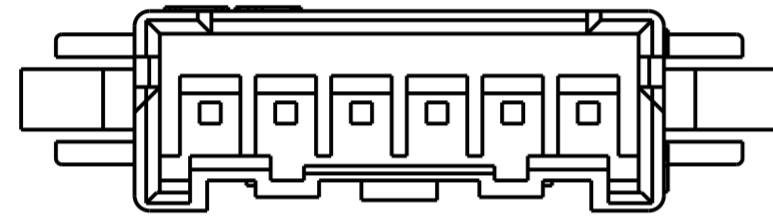
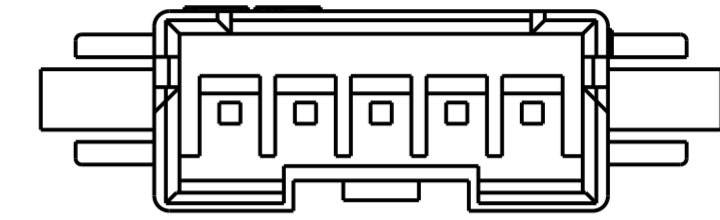
3 POSITION
1969591-3



4 POSITION
1969591-4



5 POSITION
1969591-5



6 - 15 POSITION
1969591-6 TO 1-1969591-5

THIS DRAWING IS A CONTROLLED DOCUMENT.		DWN A. NOEL 03OCT2012	STE TE Connectivity	
DIMENSIONS: mm		CHK -		
TOLERANCES UNLESS OTHERWISE SPECIFIED:		APVD -	NAME ECONOMY POWER 2.5, HOUSING WIRE TO WIRE, PANEL MOUNT, GLOW GLOW WIRE	
0 PLC ±-		PRODUCT SPEC 108-2418	SIZE A200779	
1 PLC ±-		APPLICATION SPEC 114-13315	CAGE CODE C-1969591	
2 PLC ±0.20		WEIGHT -	DRAWING NO -	
3 PLC ±-		Customer Drawing	RESTRICTED TO -	
4 PLC ±-			SCALE N/A	SHEET 2 OF 2
ANGLES ±-		REV B2		
FINISH				

单击下面可查看定价，库存，交付和生命周期等信息

[>>TE Connectivity\(泰科\)](#)