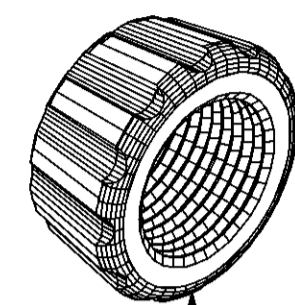
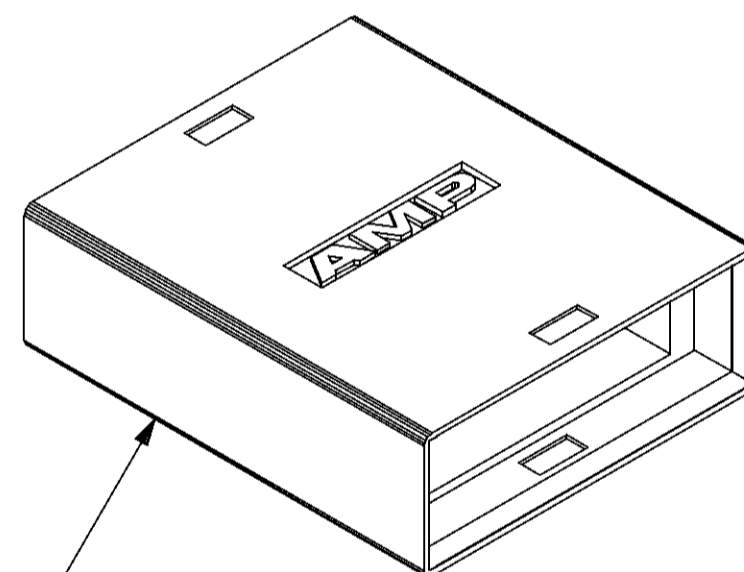
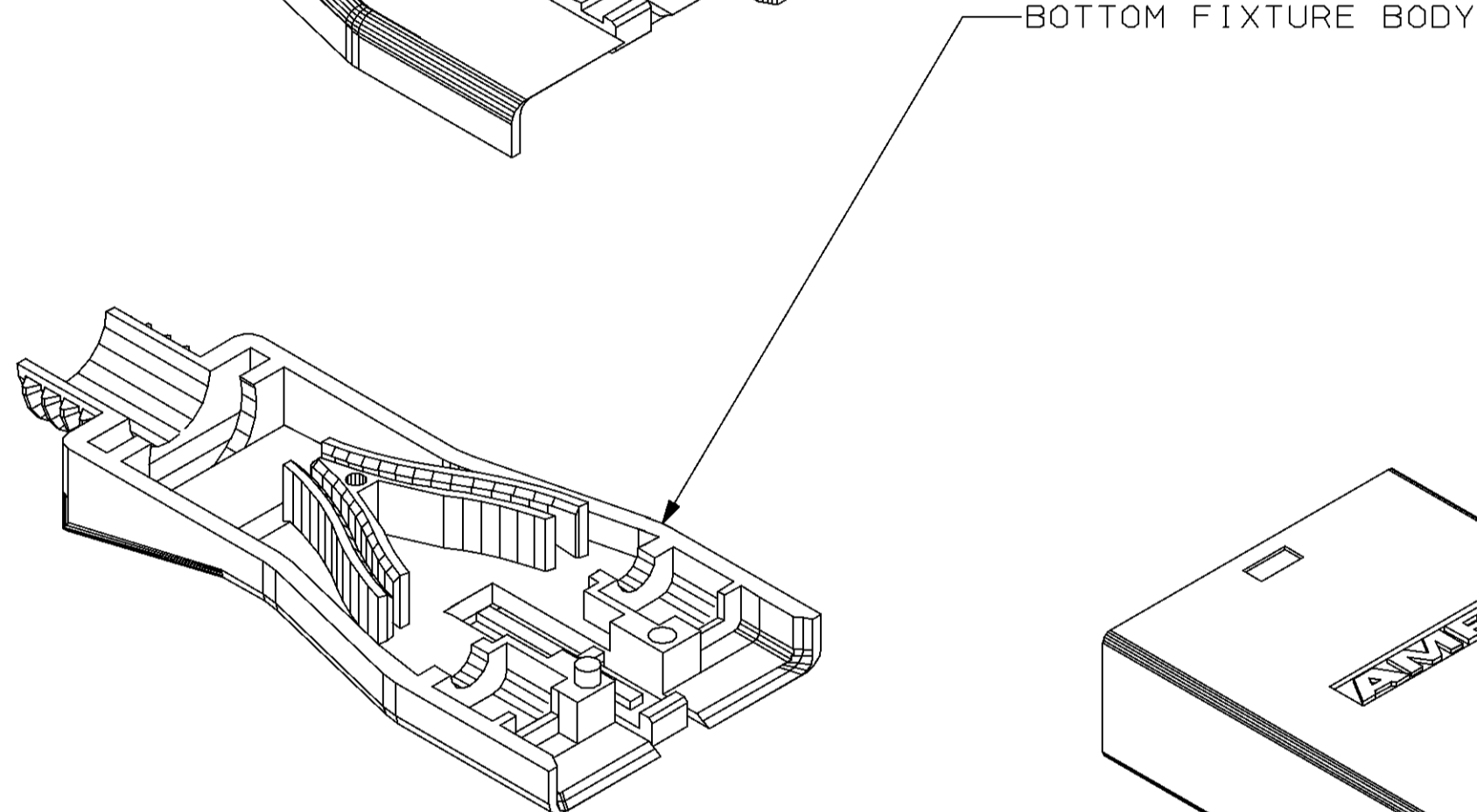
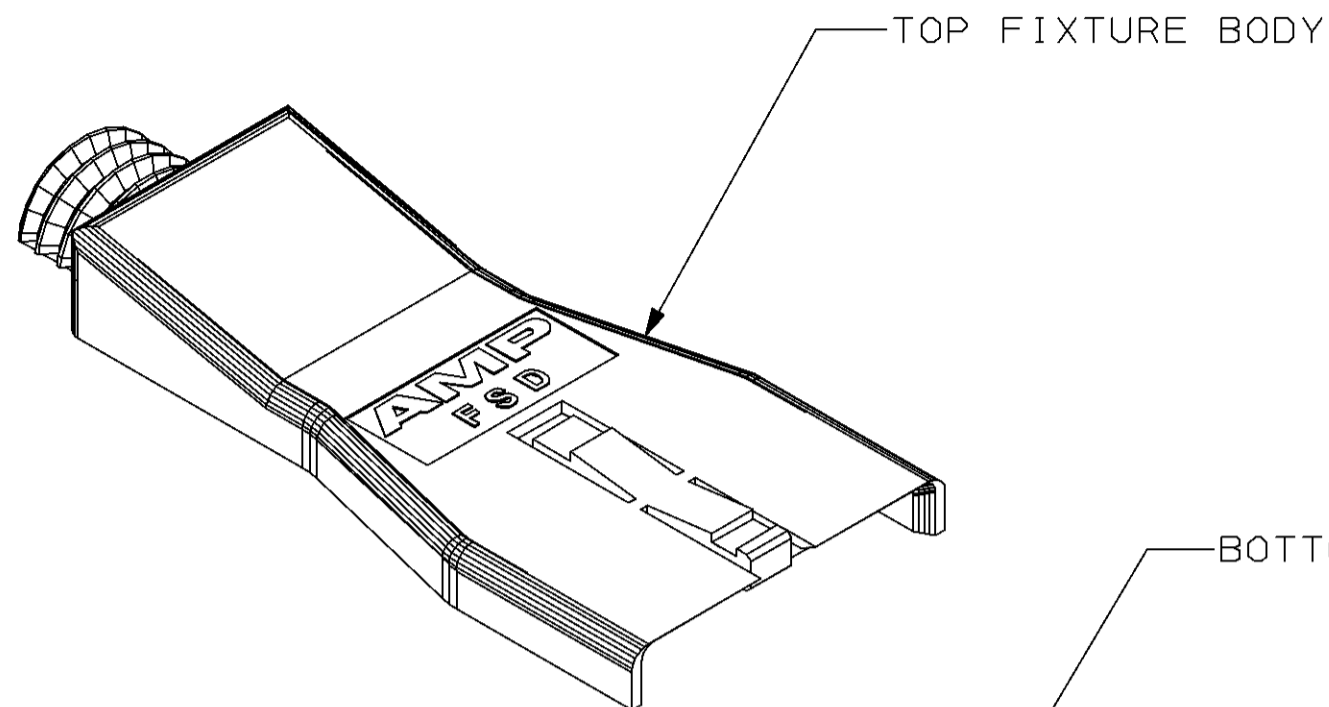


THIS DRAWING IS UNPUBLISHED. RELEASED FOR PUBLICATION, 19
 © COPYRIGHT 19 BY AMP INCORPORATED, HARRISBURG, PA. ALL INTERNATIONAL RIGHTS RESERVED. AMP PRODUCTS MAY BE COVERED BY U.S. AND FOREIGN PATENTS AND/OR PATENTS PENDING.

LOC	DIST	P	F	ZONE	LTR	DESCRIPTION	DATE	APPROVED
CE	16				B	REV PER CE-1619		/
					C	REV PER 0500-3175-93	11-2-93	BB/GL



NUT



PROTECTIVE SLEEVE

1 FIXTURE BODY, PROTECTIVE SLEEVE, AND NUT: PBT MOLDING COMPOUND

DO NOT SCALE PRINT UNLESS SPECIFIED DIMENSIONS ARE IN INCHES TOLERANCES ON : 2 PL DEC ± - 3 PL DEC ± - ANGLES ± -		DR B. BRIGGS 5-20-88	AMP INCORPORATED Harrisburg, Pa. 17105		
MATERIAL 1		CHK J. ZEIDERS 5-20-88			
FINISH -		APPD L. BUDD 5-20-88	NAME DUPLEX ASSY FIXTURE KIT, WITHOUT POLISHING BUSHING, AMP FSD		
RESTRICTED RELEASE DRAWING MAY CHANGE WITHOUT CUSTOMER NOTIFICATION		APPD D. THOMPSON 5-20-88			
		PRODUCT SPEC -	SIZE C	FSCM NO 00779	DRAWING NO 502023
		APPLICATION SPEC -	SCALE NTS	SHEET 1 OF 1	
		WEIGHT -			

502023-1
PART NO

单击下面可查看定价，库存，交付和生命周期等信息

[>>TE Connectivity\(泰科\)](#)