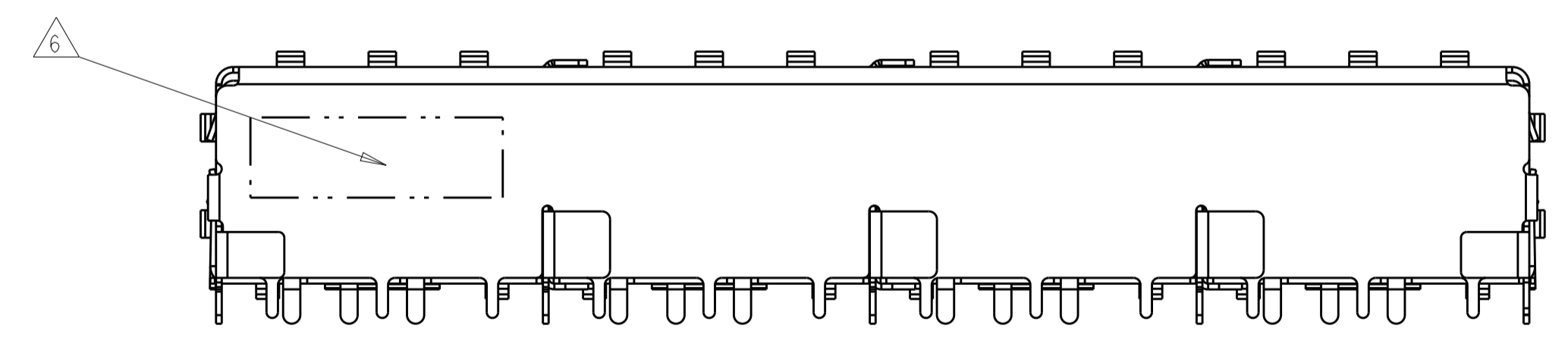
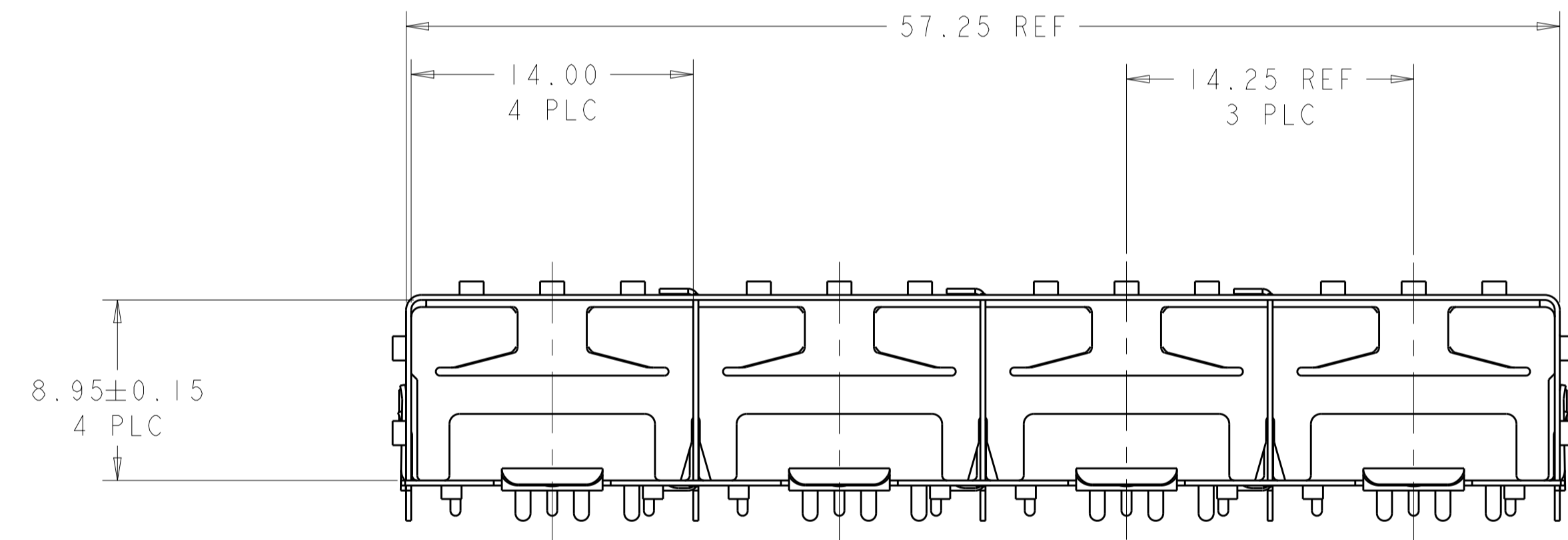
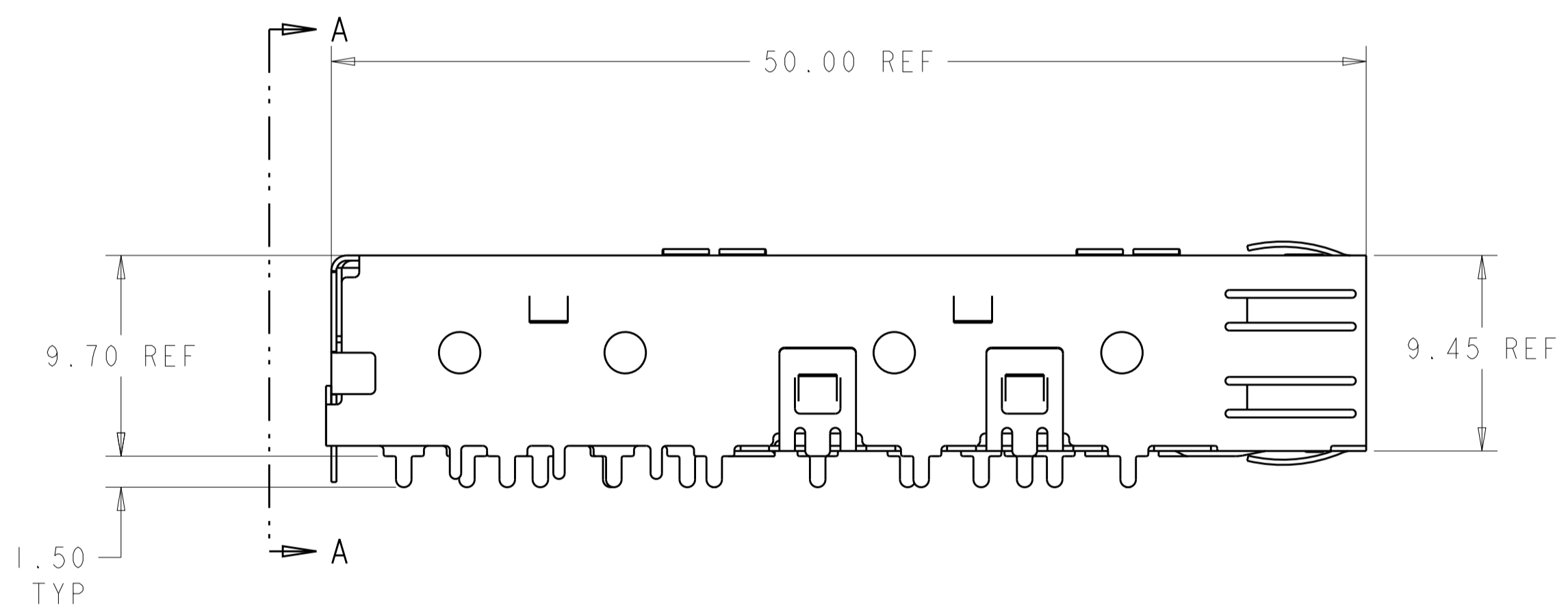
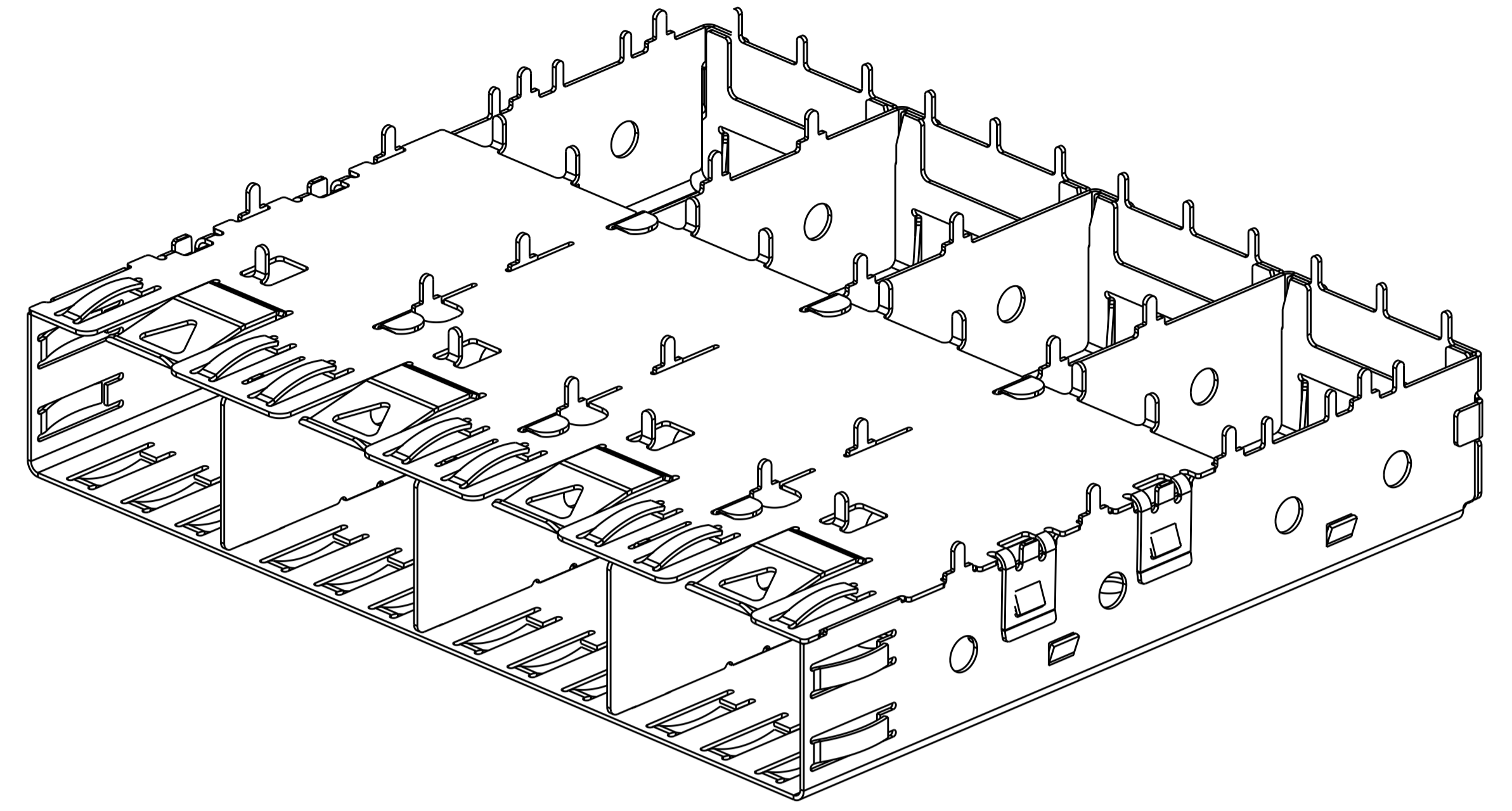
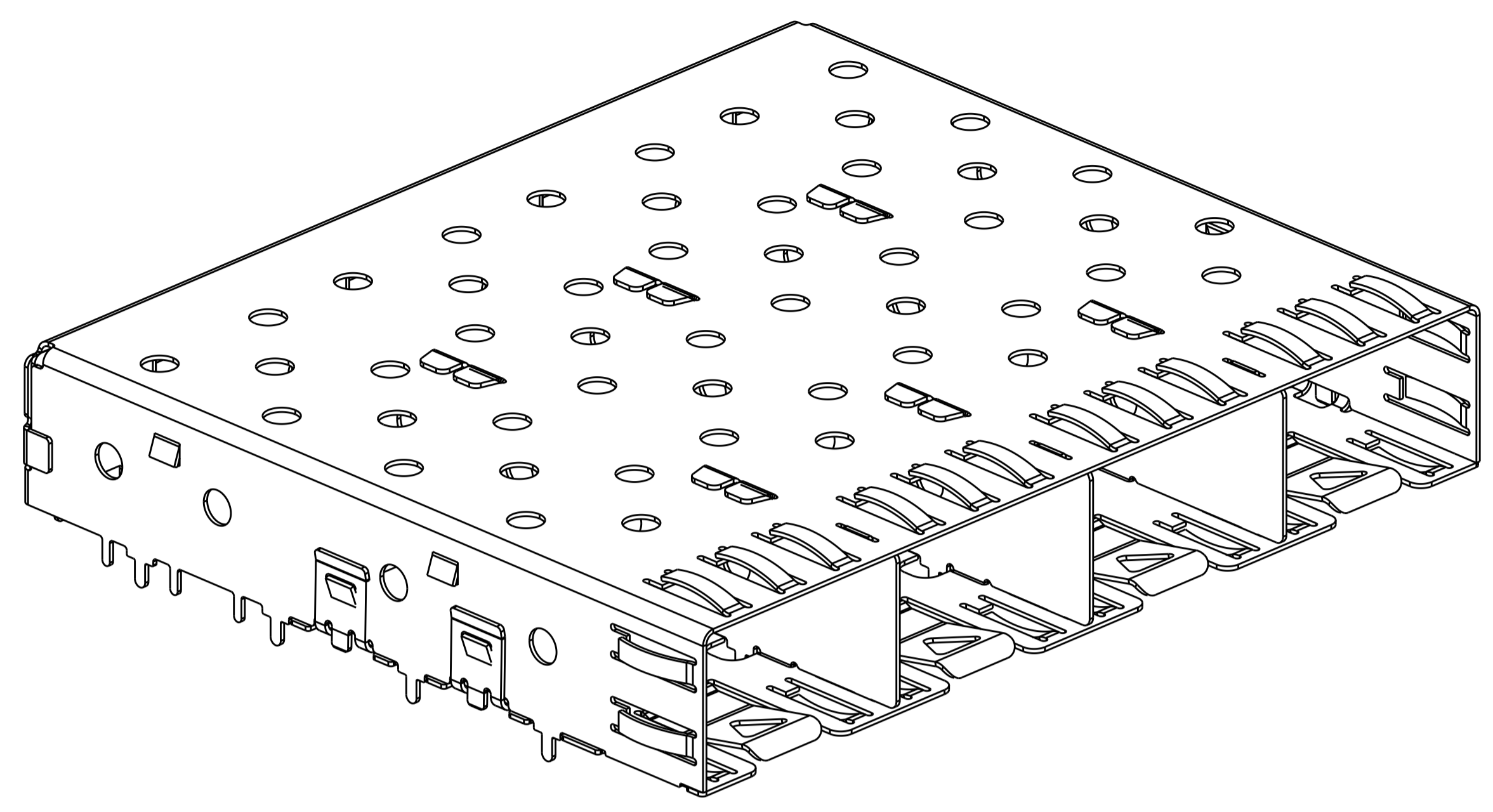
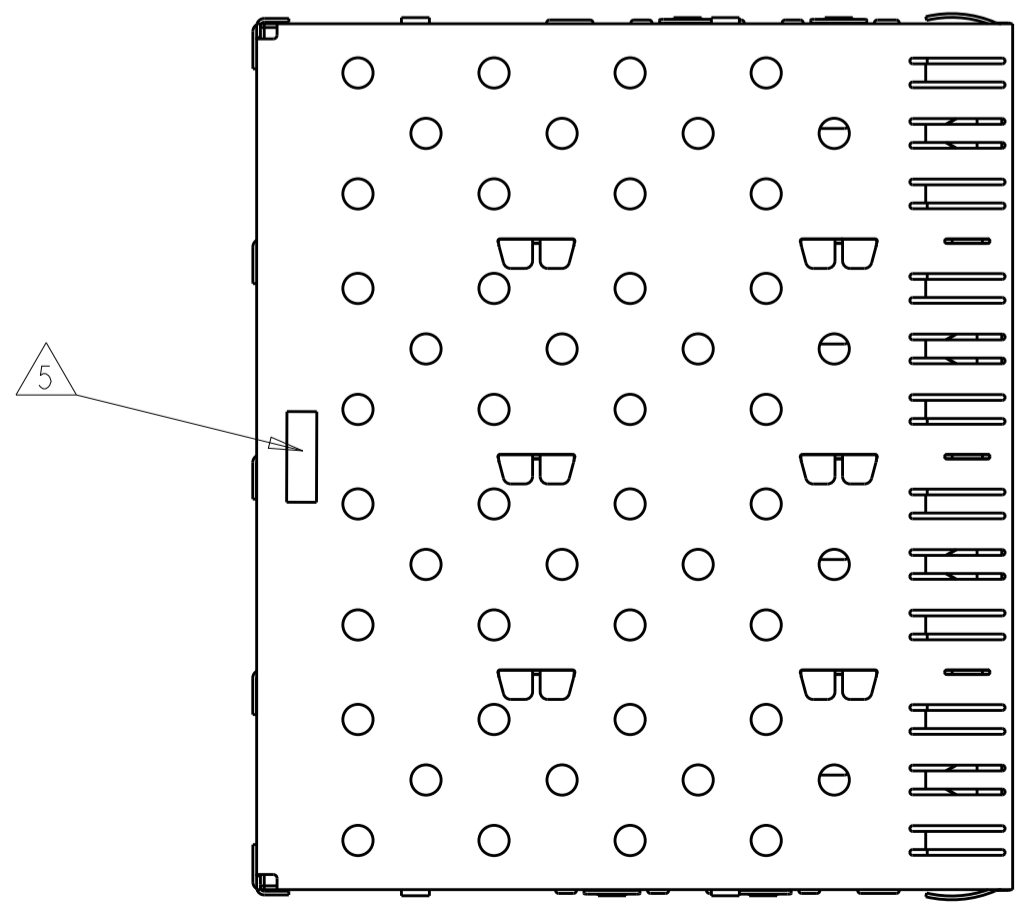


| LOC | | DIST | | REVISIONS | | | |
|-----|----|------|-----|---|-----------|-----|------|
| GP | 00 | P | LTN | DESCRIPTION | DATE | DWN | APVD |
| | | E2 | | REVISED PER ECO-14-010419 | 11JUL2014 | JW | SH |
| | | F | | OBSOLETE PN 1658723-1; ADD PN 1658723-3 | 05DEC2019 | IT | SH |
| | | G | | ADD PN -4 WITH CUSTOMIZED TRAY | 15APR2020 | IT | SH |
| | | G1 | | REMOVE NOT TOOLED PN 1658723-3 | 07MAY2020 | IT | SH |



SECTION A-A

- 1 MATERIAL: 0.25MM THICK COPPER ALLOY.
- 2 FINISH: 1.25µm MINIMUM TIN PER ASTM B 545 OVER NICKEL FLASH PER QQ-N-290. NONPLATED EDGES PERMISSIBLE.
- 3 PADS AND VIAS CHASSIS GROUND.
- 4 DATUM AND BASIC DIMENSION ESTABLISHED BY CUSTOMER.
- 5 COMPANY LOGO IN APPROXIMATE AREA SHOWN.
- 6 DATE CODE AND PART NUMBER IN APPROXIMATE AREA SHOWN.
- 7 MATERIAL: 0.25MM THICK NICKEL SILVER ALLOY,
- 8 PACKED WITH CUSTOMIZED TRAY SIZE 340mm X 235mm AND 3X5=15PCS PER TRAY.



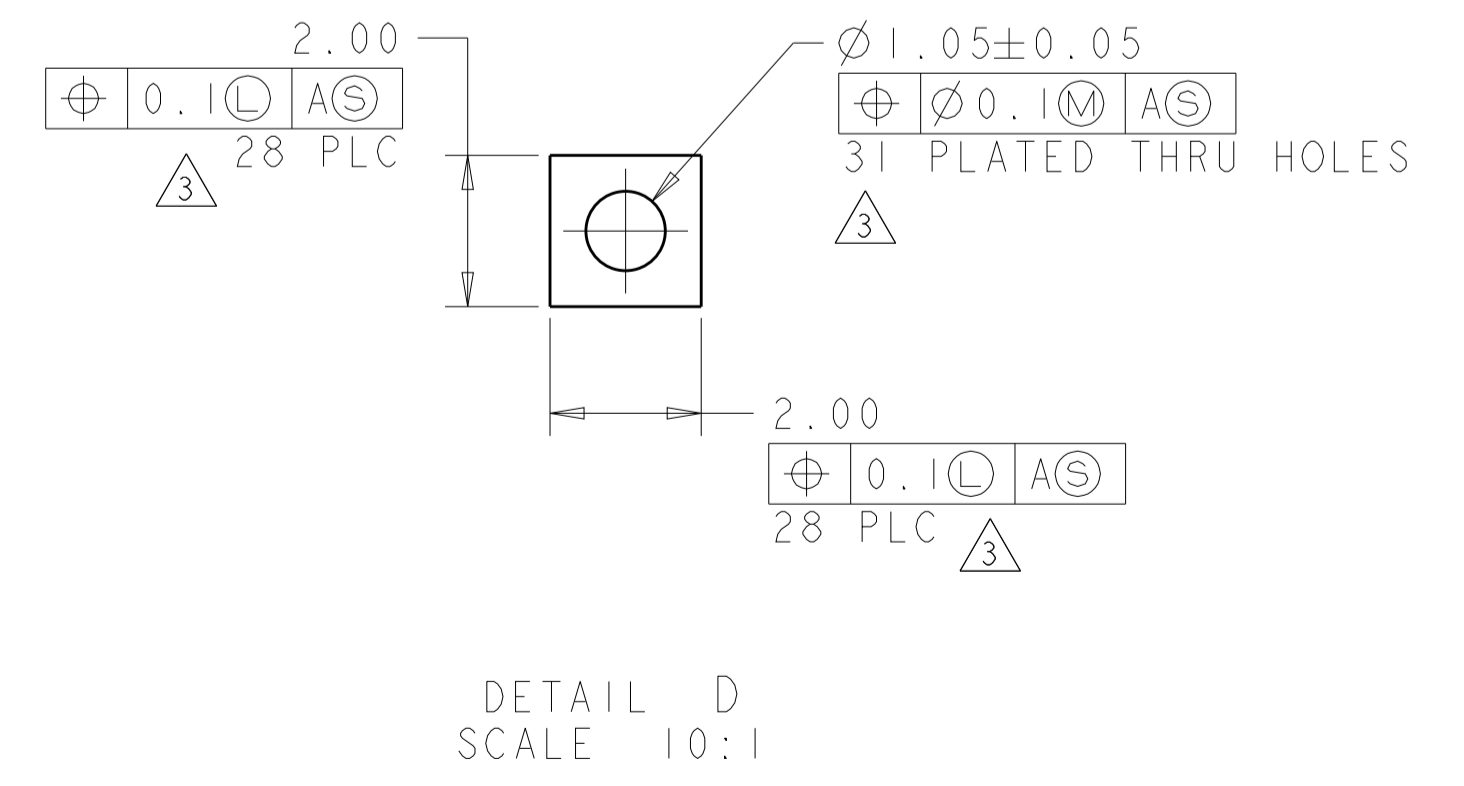
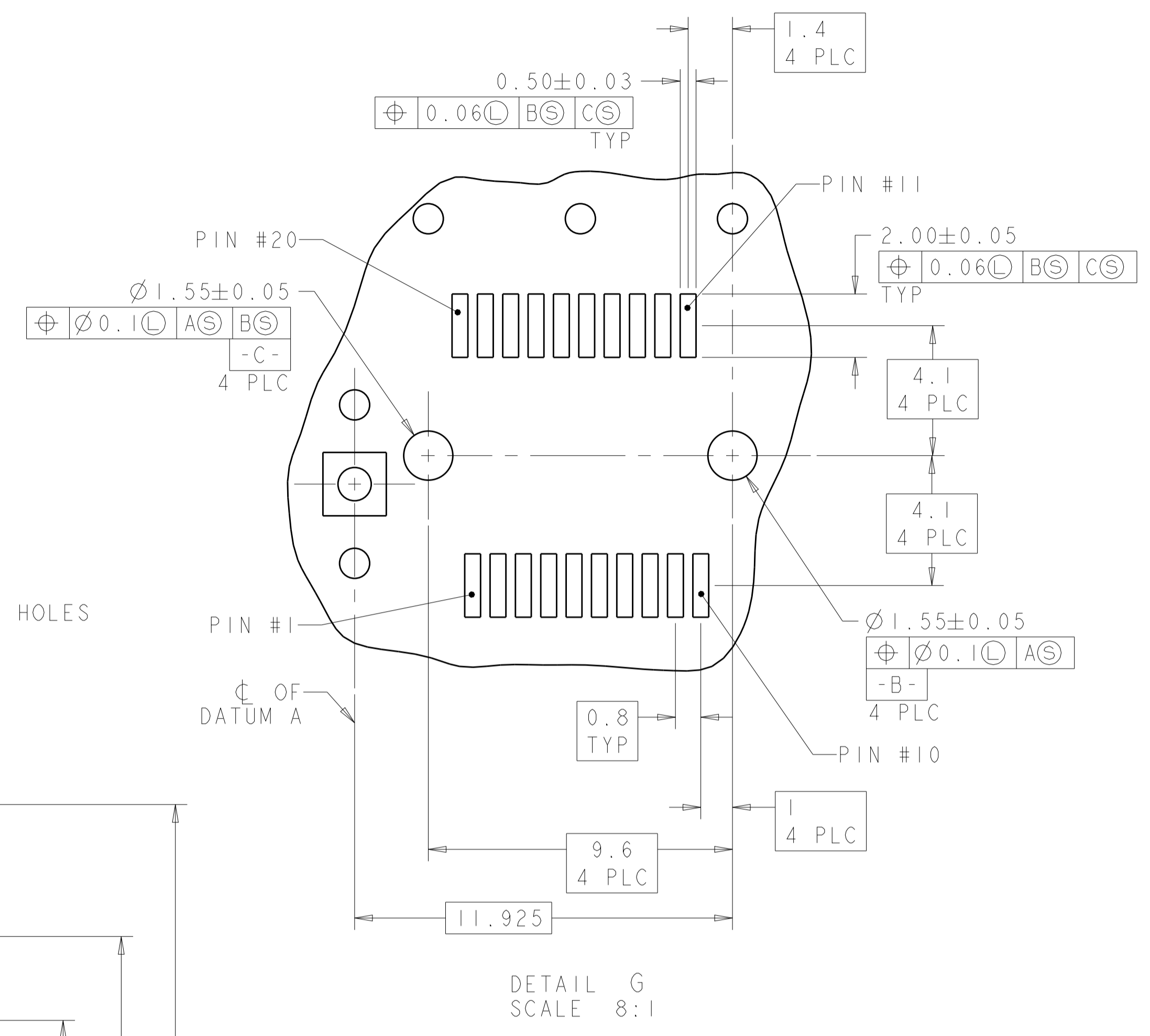
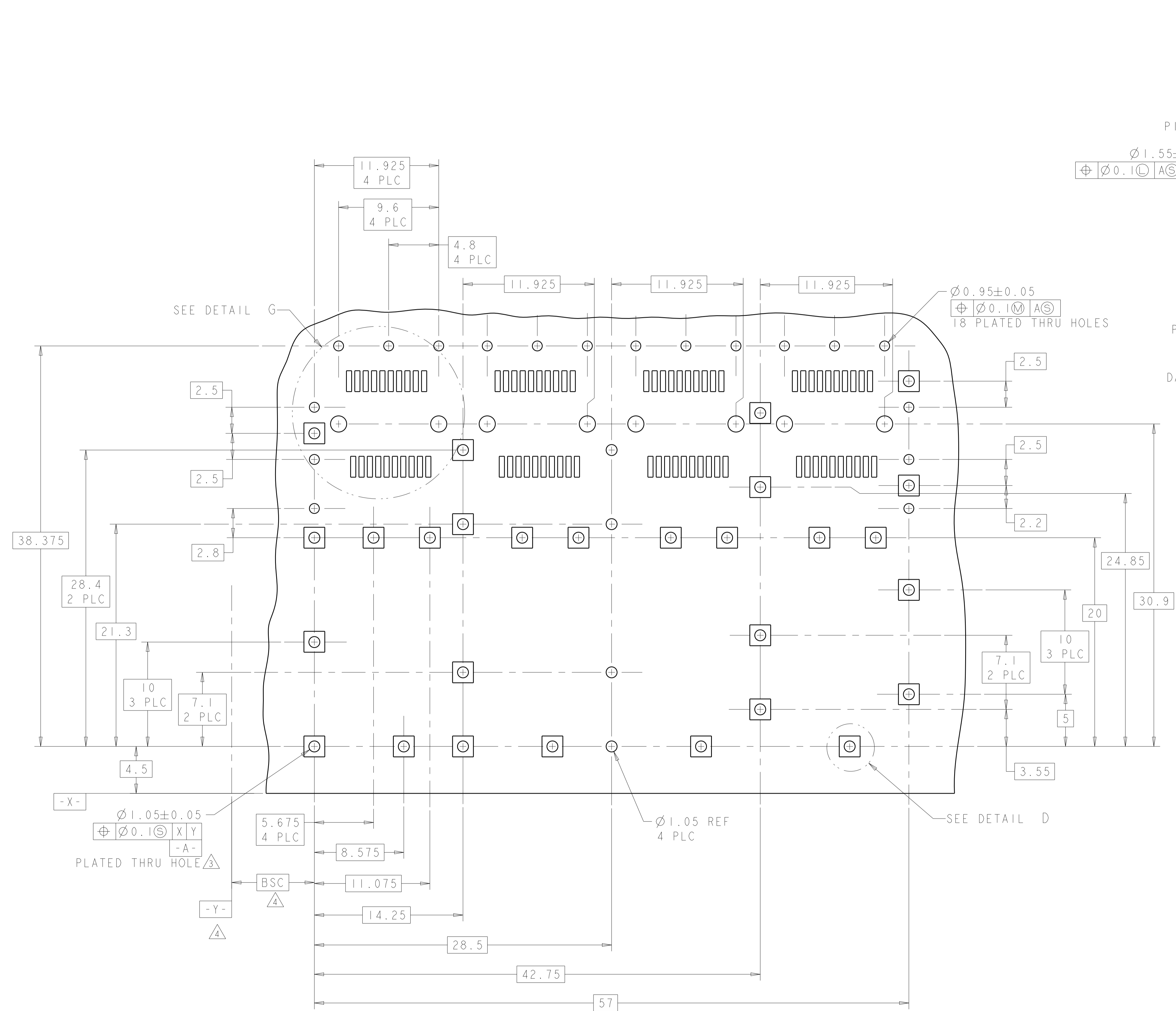
SCALE 2:1

| | | | |
|-----------------|--------|----------|-------------|
| OBSELETE | NO | 1 | 1658723-4 |
| | NO | 1 | 1658723-2 |
| | 2 | 1 | 1658723-1 |
| | FINISH | MATERIAL | PART NUMBER |

| | | | | |
|--|-------|------------------|------------|---|
| THIS DRAWING IS A CONTROLLED DOCUMENT. | | DWN | 13MAY03 | TE Connectivity CAGE ASSEMBLY, SOLDER LEG, 1X4, SFP |
| DIMENSIONS: | | CHK | 06MAY04 | |
| TOLERANCES UNLESS OTHERWISE SPECIFIED: | | APVD | 06MAY04 | |
| mm | | NAME | M. WALSLEY | |
| 0 PLC | ± | PRODUCT SPEC | | |
| 1 PLC | ±0.10 | APPLICATION SPEC | | |
| 2 PLC | ± | SIZE | 114-13017 | |
| 3 PLC | ± | WEIGHT | | |
| 4 PLC | ± | CUSTOMER DRAWING | | |
| ANGLES | ± | SCALE | 4:1 | |
| FINISH | 2 | SHEET | 1 OF 2 | |

| LOC | DIST | REV | DATE | APP'D |
|-----|------|-----|------|-------|
| GP | 00 | | | |

| REVISIONS | | | | |
|-----------|-------------|------|----|-------|
| NO. | DESCRIPTION | DATE | BY | APP'D |
| 1 | SEE SHEET 1 | | | |



RECOMMENDED PCB LAYOUT
 SCALE 5:1

| | | | |
|--|-------------|------------------------------|---|
| THIS DRAWING IS A CONTROLLED DOCUMENT. | | OWN: M. SHIRK 13MAY03 | TE Connectivity |
| DIMENSIONS: mm | | CHK: J. KOPPENHEFFER 06MAY04 | |
| TOLERANCES UNLESS OTHERWISE SPECIFIED: | | APP'D: M. WALMSLEY 06MAY04 | NAME: CAGE ASSEMBLY, SOLDER LEG, 1X4, SFP |
| 0 PLC ± | 1 PLC ±0.10 | PRODUCT SPEC: 108-1950 | SIZE: A100779 |
| 2 PLC ± | 3 PLC ± | APPLICATION SPEC: 114-13017 | SCALE: 4:1 |
| 4 PLC ± | ANGLES ± | WEIGHT: - | SHEET 2 OF 2 |
| MATERIAL: - | FINISH: - | CUSTOMER DRAWING | REV: G1 |

单击下面可查看定价，库存，交付和生命周期等信息

[>>TE Connectivity\(泰科\)](#)