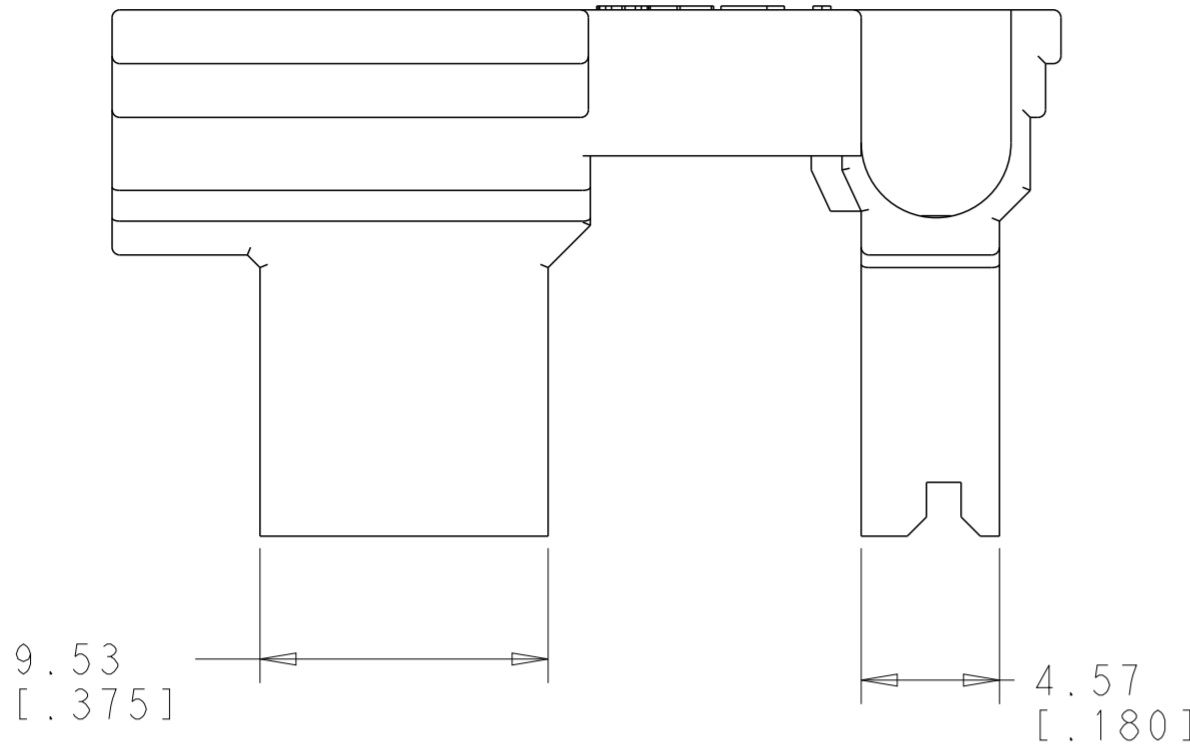
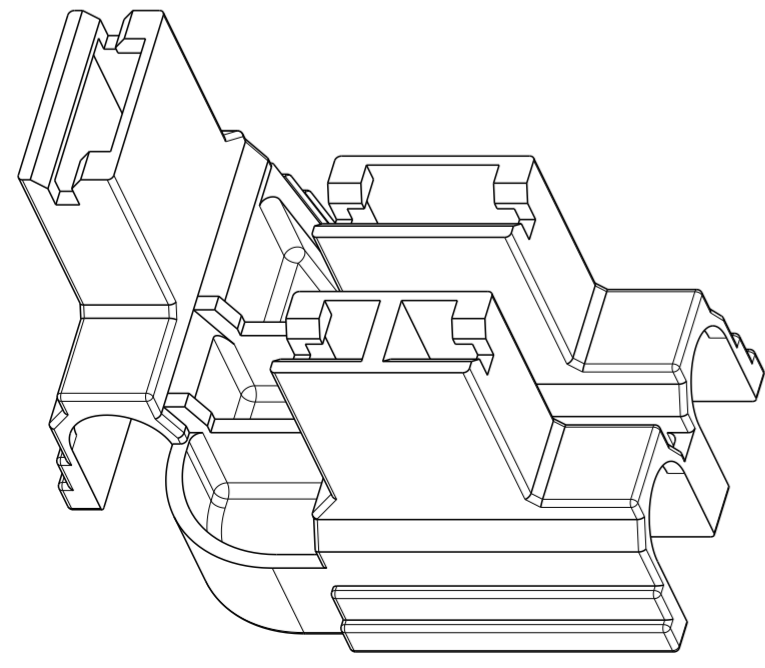
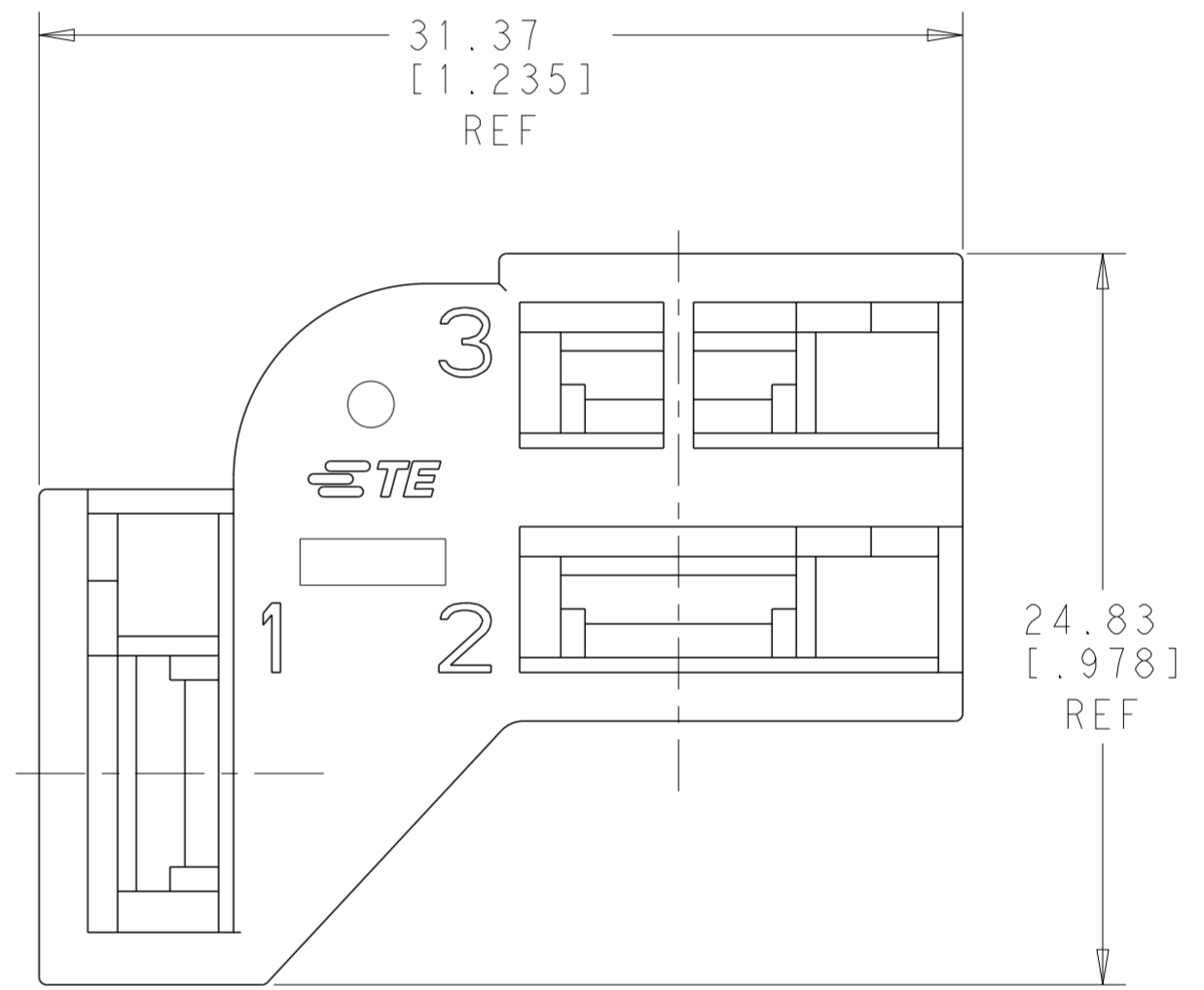
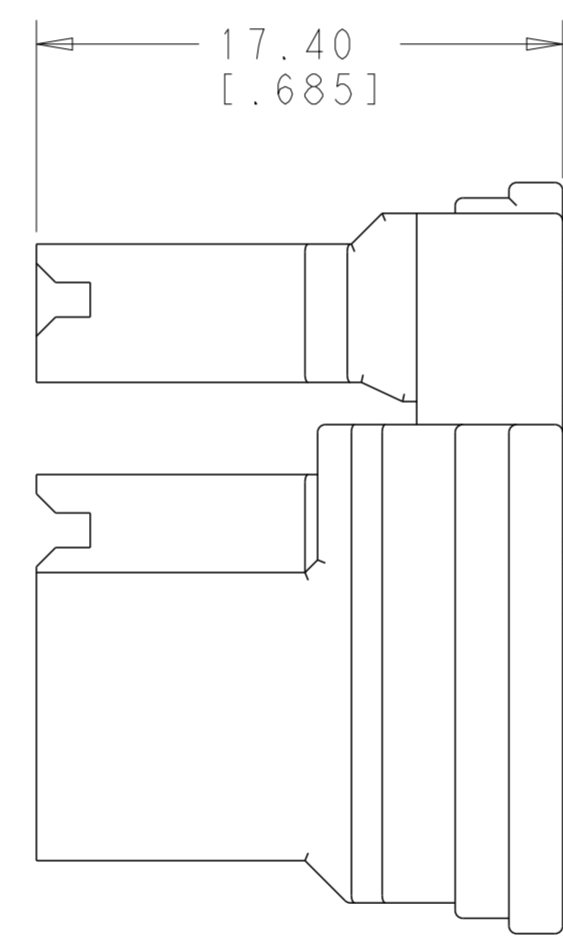
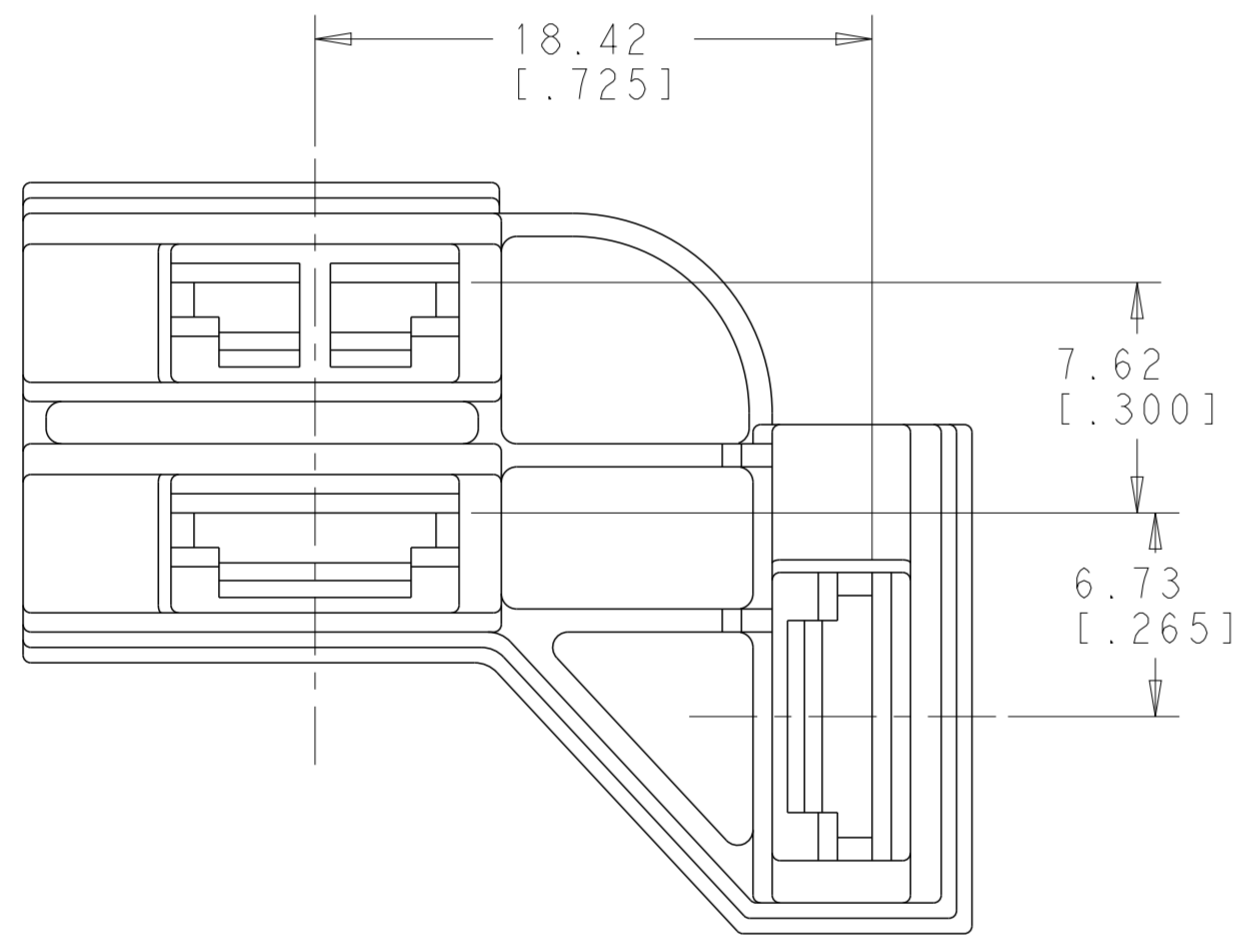


THIS DRAWING IS UNPUBLISHED. RELEASED FOR PUBLICATION 20
 © COPYRIGHT 20 BY - ALL RIGHTS RESERVED.

REVISIONS				
P	LTR	DESCRIPTION	DATE	APVD
C		REVISED PER ECR-19-003973	03APR2019	BDA DS



- 1 THIS PART ACCEPTS TERMINAL 63009 OR 63963 18-14 GAUGE WIRE.
- 2 FOR PROPER ENGAGEMENT THE MATING TAB MUST HAVE A MIN OF .315 USEABLE LENGTH.
- 3 PRELIMINARY PART NUMBER. NOT RELEASED FOR PRODUCTION
- 4 OBSOLETE PARTS
- 5 PARTS MAY APPEAR MEDIUM COLORED TO LIGHT COLORED AND EXHIBIT A MARBLING EFFECT.



SCALE 3:1

4	SUPERSEDED BY	BLACK	66 Nylon V0, Black, GWT	5 1-1969706-1
	1-1969706-1	-	-	3 1969706-2
	-	-	-	1-1969706-1
	-	COLOR	MATERIAL	PART NO.

THIS DRAWING IS A CONTROLLED DOCUMENT.		DWN	JR RUTH	17OCT14	TE Connectivity NAME HOUSING, RECEPTACLE, FLAG FASTON, 6.35 [.250] SERIES, 2 POSITION SIZE CAGE CODE DRAWING NO RESTRICTED TO A200779 C-1969706 SCALE 1:1 SHEET 1 OF 1 REV C	
DIMENSIONS:	TOLERANCES UNLESS OTHERWISE SPECIFIED:	CHK	DAVE HUMPHREY	17OCT14		
mm [INCHES]	0 PLC ± 1 PLC ± 2 PLC ±0.25 [.010] 3 PLC ± 4 PLC ± ANGLES ±	APVD	DAVE HUMPHREY	17OCT14		
	FINISH	PRODUCT SPEC				
MATERIAL	NYLON, V0 NO DRIP	APPLICATION SPEC			WEIGHT	-
	COLOR-BLACK					

单击下面可查看定价，库存，交付和生命周期等信息

[>>TE Connectivity\(泰科\)](#)