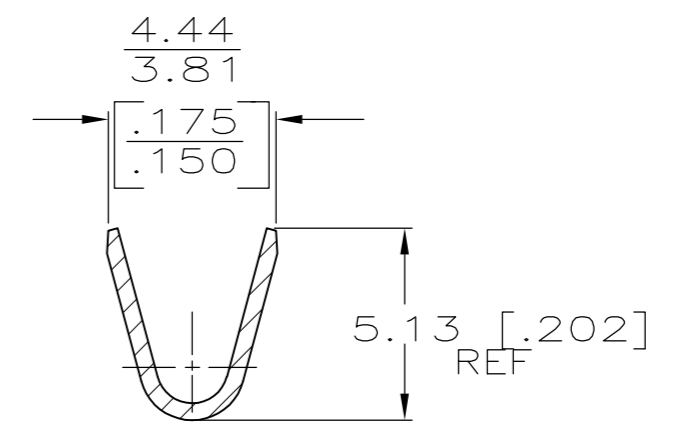
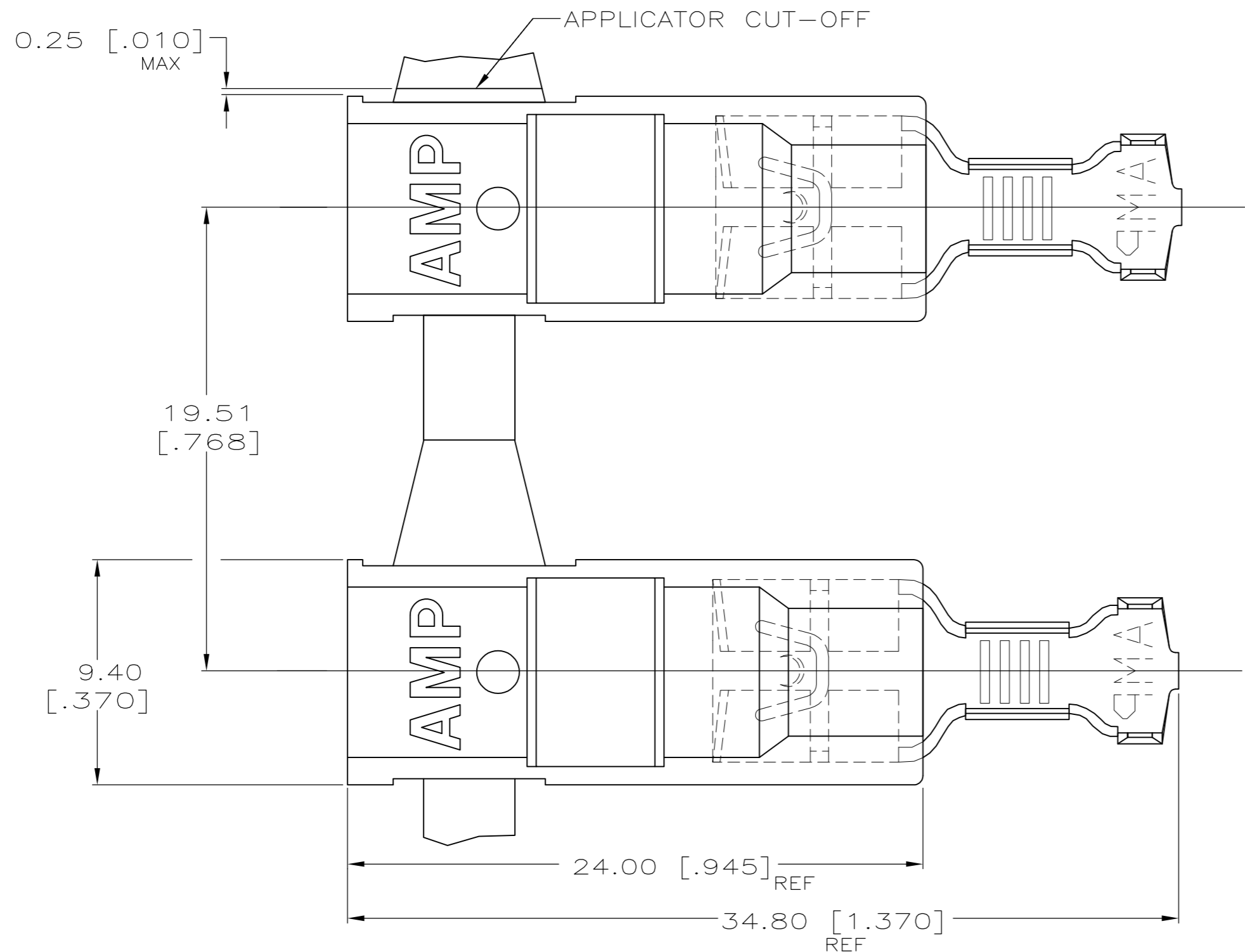
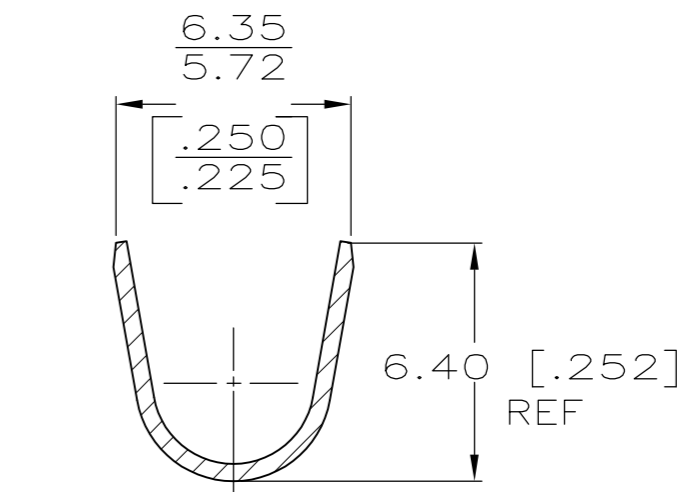
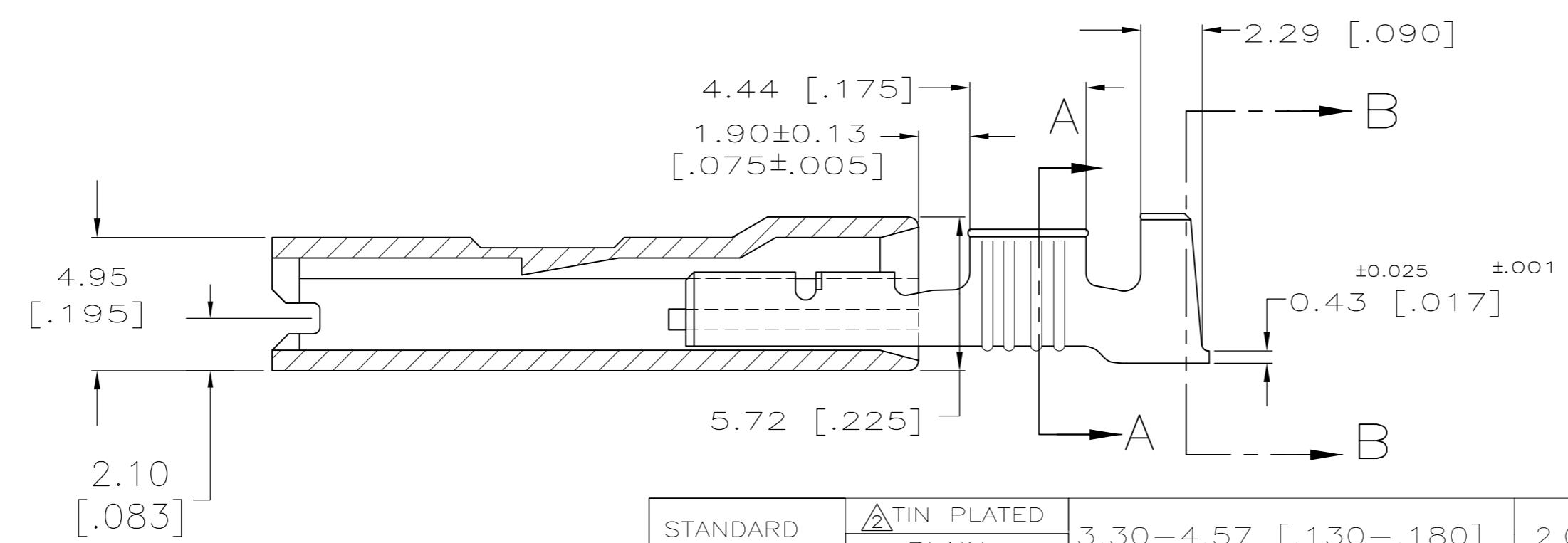


THIS DRAWING IS UNPUBLISHED. RELEASED FOR PUBLICATION
 © COPYRIGHT - By - ALL RIGHTS RESERVED.

LOC		DIST		REVISIONS			
P	LTR	DESCRIPTION		DATE	DWN	APVD	
AF	50	A2	REVISED PER ECR-12-013219		08JAN13	KH	KR



SECTION A-A



SECTION B-B

- 1 LOW-INSERTION FASTON TERMINALS, BASE P/N 63639, ARE USED IN THIS PRODUCT.
- 2 0.002032 [.000080] MIN TIN

STANDARD	TIN PLATED PLAIN	3.30-4.57 [.130-.180]	2.0-5.0 mm [14-10]	0.813 [.032]	521366-2
PACKAGING	TERMINAL FINISH	INSULATION RANGE	WIRE SIZE	MATING TAB THK±0.025[±.001]	PART NO
THIS DRAWING IS A CONTROLLED DOCUMENT. DIMENSIONS: mm [INCHES] TOLERANCES UNLESS OTHERWISE SPECIFIED: 0 PLC ± - 1 PLC ± - 2 PLC ± - 3 PLC ± 0.25 [.010] 4 PLC ± - ANGLES ± - FINISH		DWN JR RUTH 22NOV00 CHK MS FEHER 22NOV00 APVD J HUMMEL 22NOV00 PRODUCT SPEC 108-1285 APPLICATION SPEC 114-2124 WEIGHT - MATERIAL HSG - 6/6 V0 NYLON TERMINAL - BRASS HOUSING - NATURAL TERMINAL - SEE TABLE		NAME ASSEMBLY, RECEPTACLE, ULTRA-POD, 6.35 [.250] SERIES SIZE A2 CAGE CODE 00779 DRAWING NO C=521366 RESTRICTED TO - SCALE 5:1 SHEET 1 of 1 REV A2	

521366

单击下面可查看定价，库存，交付和生命周期等信息

[>>TE Connectivity\(泰科\)](#)