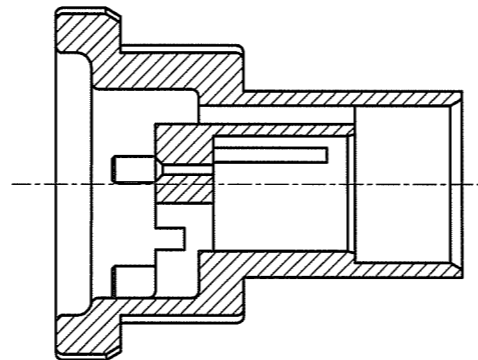
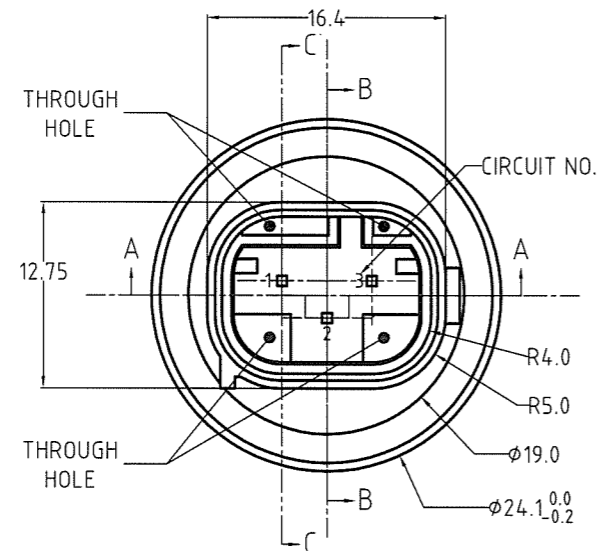
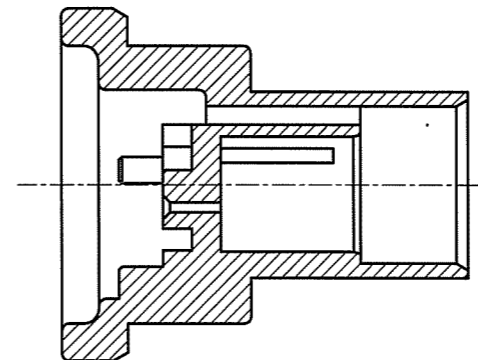


THIS DRAWING IS UNPUBLISHED. RELEASED FOR PUBLICATION
 © COPYRIGHT BY TYCO ELECTRONICS CORPORATION. ALL RIGHTS RESERVED.

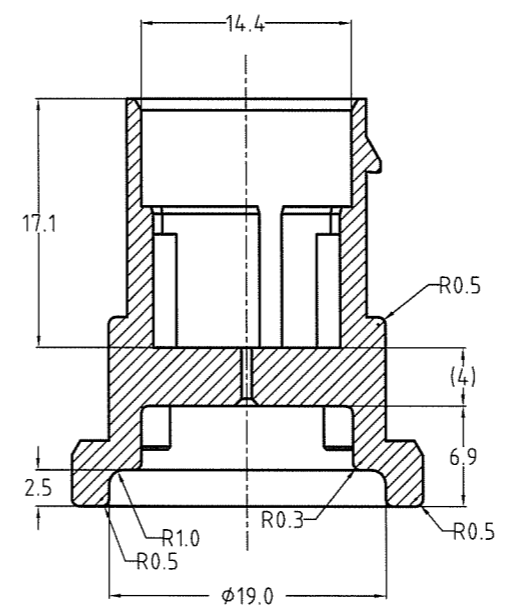
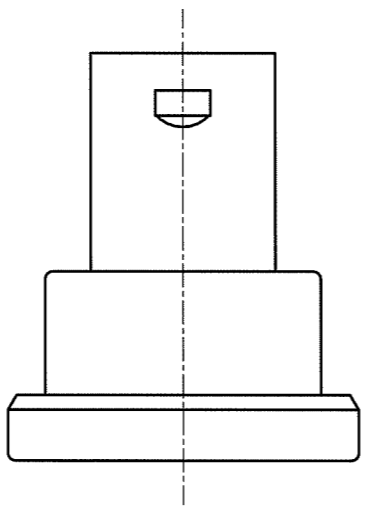
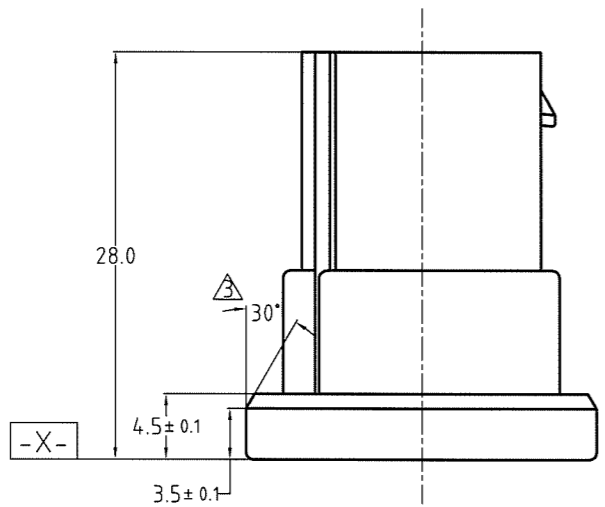
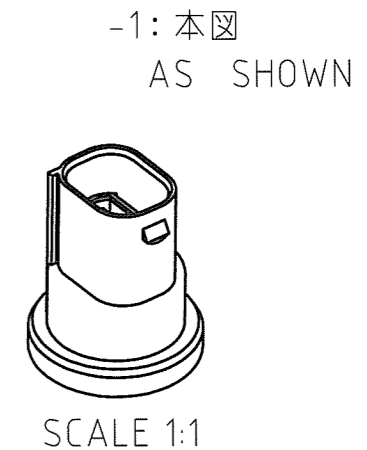
LOC	DIST	REVISIONS					
		P	LTR	DESCRIPTION	DATE	DWN	APVD
J	-	L		REDRAWN WITH CHANGE ECR-07-023945	10SEP'07	J.H	S.M



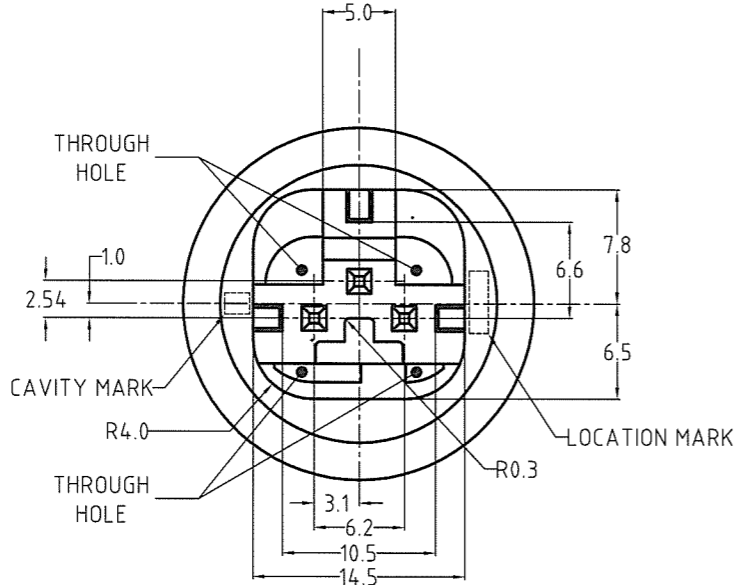
SECTION C-C



SECTION B-B



SECTION A-A



NOTE->
 1. THE MATING CONNECTOR IS TO USE MQS SOCKET HOUSING P/N 2-967642-1
 SOCKET CONTACT(GOLD VERSION) P/N 962885-5
 WIRE SEAL P/N 967067-1
 2. APPLICABLE TERMINAL INSERT: P/N 1473837-1
 ③ MEASURE 30° POINT AS DATUM -X-

注記>
 1. 嵌合相手コネクタはMQS ソケット・ハウジング 型番: 2-967642-1
 ソケット端子(金めっきタイプ) 型番: 962885-5
 ゴム栓 型番: 967067-1
 2. 適用ターミナル・インサート 型番: 1473837-1
 ③ 基準面を -X- として30°部を測定の事

THIS DRAWING IS A CONTROLLED DOCUMENT.		DWN Y.SUEMITSU 18JUL'01	Tyco Electronics Corporation Kawasaki, Japan	
DIMENSIONS: 単位: 耗 mm	TOLERANCES UNLESS OTHERWISE SPECIFIED: 一般公差	CHK Y.KASHIWA 18JUL'01	NAME 名称 MQS PROTECTIVE HOUSING 3POS	
	< 6 ± 0.1 6 ≤ < 30 ± 0.2 30 ≤ < 100 ± 0.3 ± ±	APVD Y.KASHIWA 18JUL'01		
MATERIAL 材料 PBT(GLASS FILLED 30%) UL94-V0	FINISH 仕上 -	PRODUCT SPEC 製品規格 108-5789	SIZE A3	RESTRICTED TO -
CUSTOMER DRAWING		APPLICATION SPEC 取付適用規格 -	WEIGHT -	SCALE 尺度 2:1
		ANGLES ± 1°	DRAWING NO 番号 1473836	SHEET 1 of 1
				REV L

单击下面可查看定价，库存，交付和生命周期等信息

[>>TE Connectivity\(泰科\)](#)