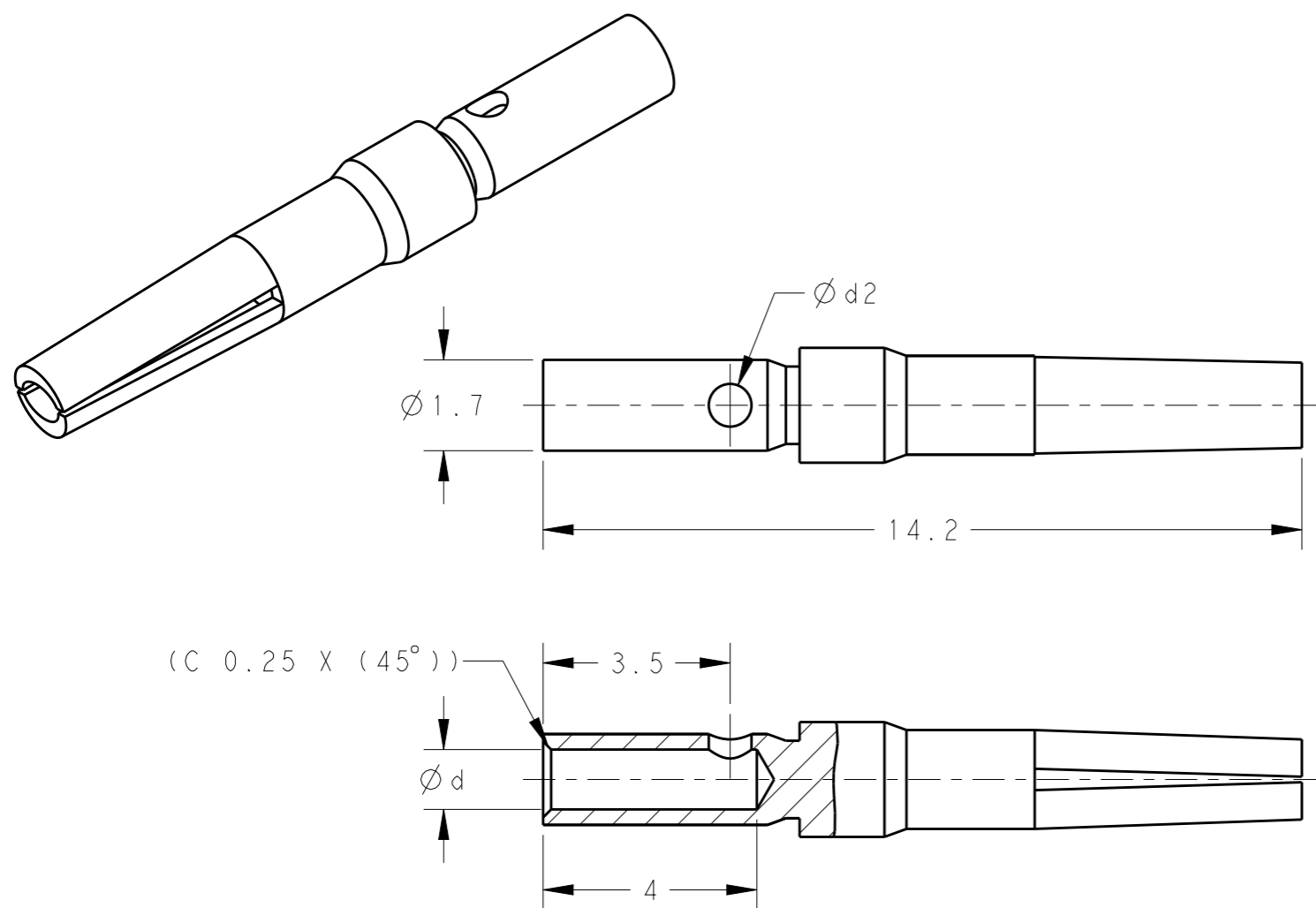


THIS DRAWING IS UNPUBLISHED. RELEASED FOR PUBLICATION 20
 © COPYRIGHT 20 BY - ALL RIGHTS RESERVED.

REVISIONS

P	LTR	DESCRIPTION	DATE	DWN	APVD
	A	INITIAL	15MAY2015	DW	CW
	A1	ECR-16-002757	24FEB2016	RL	CW
	A2	ECR-21-000654	26JAN2021	BS	CW


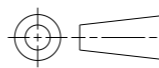


NOTES:
 1. TECHNICAL CHARACTERISTICS:
 CONTACT MATERIAL: BRASS
 SURFACE PLATING:
 SILVER PLATING: $\geq 2\mu m$
 GOLD PLATING: $\geq 0.75\mu m$
 WIRE RANGE: 0.08-0.52 mm² (28-20 AWG)
 OPERATION TEMPERATURE: -40-+125°C

注释:
 1. 技术参数:
 公针材料: 黄铜
 表面电镀:
 镀银: $\geq 2\mu m$
 镀金: $\geq 0.75\mu m$
 接线范围: 0.08-0.52 mm² (28-20 AWG)
 工作温度: -40-+125°C

	PART NUMBER AFTER PLATING 电镀后料号				ϕd	$\phi d2$	WIRE GAUGE 线规		STRIPPING LENGTH 剥线长度 (mm)
	SILVER PLATING 镀银		GOLD PLATING 镀金				MM ²	AWG	
SOCKET CONTACT 母针	CAF-08	T2070002008-000	DAF-08	T2070012008-000	0.7	0.6	0.08-0.21	28-24	4.0
	CAF-13	T2070002013-000	DAF-13	T2070012013-000	0.9	0.8	0.13-0.33	26-22	
	CAF-33	T2070002033-000	DAF-33	T2070012033-000	1.12	0.8	0.33-0.52	22-20	

THIS DRAWING IS A CONTROLLED DOCUMENT.

DIMENSIONS: mm	TOLERANCES UNLESS OTHERWISE SPECIFIED: 0 PLC \pm - 1 PLC \pm - 2 PLC \pm - 3 PLC \pm - 4 PLC \pm - ANGLES \pm -	DWN 15MAY2015 David Wang	 TE Connectivity NAME CAF/DAF D-SUB SOCKET CONTACT
		CHK 15MAY2015 Chris Wang	
MATERIAL	FINISH	APVD 15MAY2015 Xiang Xu	
-	-	PRODUCT SPEC 108-137064	
-	-	APPLICATION SPEC 114-137064	SIZE A3
		WEIGHT -	CAGE CODE 00779
		Customer Drawing	DRAWING NO T20700X20XX000
			RESTRICTED TO -
			SCALE 8:1
			SHEET 1 OF 1
			REV A2

单击下面可查看定价，库存，交付和生命周期等信息

[>>TE Connectivity\(泰科\)](#)