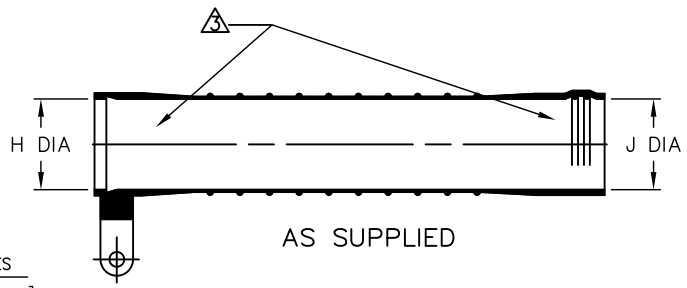
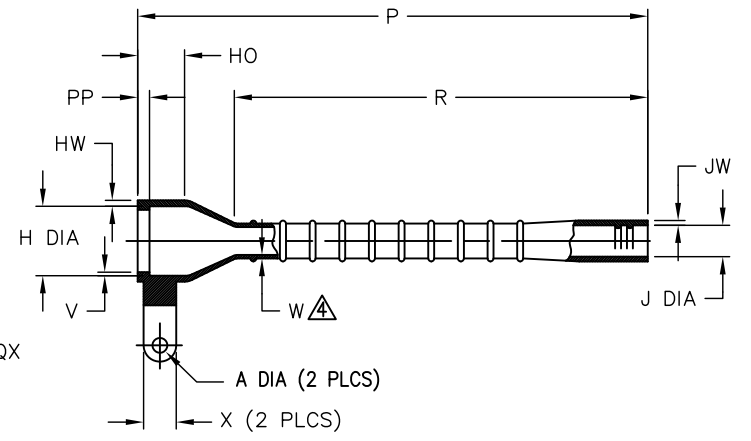
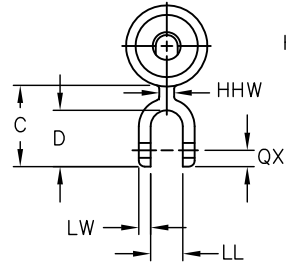


REVISIONS		
LTR	DESCRIPTION	DATE
E	REVISED PER ECO-11-002238	01/31/2011



AS SUPPLIED



AFTER UNRESTRICTED RECOVERY

- NOTES:
- ALL DIMENSIONS ARE IN INCHES  
[MILLIMETERS]
  - DIMENSIONS APPEARING IN TABLE ARE AS FOLLOWS:  
a - AS SUPPLIED  
b - AFTER UNRESTRICTED RECOVERY

3. COATING (ADHESIVE): IS OPTIONAL AS SUPPLIED DIMENSIONS APPEARING IN TABLE ARE FOR UNCOATED PARTS. WHEN COATING IS ADDED, ENTRY DIAMETER WILL BE REDUCED BY .06 [1.5] MAX.

4. "W" DIMENSION APPLIES IN RIBBED AREA OF PART ONLY.

5. ORDERING INFORMATION

202A915 -X -XX /XX -0

BASE PART NUMBER \_\_\_\_\_

MATERIAL DASH NUMBER \_\_\_\_\_

- 3 POLYOLEFIN, SEMI RIGID (RT-301)
- 4 POLYOLEFIN, FLEXIBLE (RT-1304)
- 6 SILICONE (RT-602)
- 25 ELASTOMER, FLUID RESISTANT (RW-2070)

MODIFICATION NUMBER \_\_\_\_\_

ADHESIVE SLASH NUMBER \_\_\_\_\_  
SEE COMPATIBILITY CHART BELOW

COLOR DESIGNATOR \_\_\_\_\_

If this document is printed it becomes uncontrolled. Check for the latest revision

TABLE OF DIMENSIONS

PART DESCRIPTION	H		J		P	R	HW	HO	HHW	JW	W	LL	LW	QX
	MIN	MAX	MIN	MAX	±10%	REF	±20%	REF	REF	±20%	±20%	±10%	REF	REF
202A915	1.53 [38,9]	1.17 [29,7]	1.53 [38,9]	.47 [11,9]	9.00 [228,6]	7.35 [186,7]	.10 [2,54]	.86 [21,8]	.25 [6,35]	.08 [2,03]	.06 [1,51]	.54 [13,7]	.18 [4,57]	.28 [7,1]
	C	PP	D	X	A	V								
	REF	REF	±10%	±10%	±10%	±20%								
	b	b	b	b	b	b								
	1.35 [34,3]	.20 [5,08]	.95 [24,1]	.55 [13,9]	.25 [6,25]	.04 [1,01]								

COMPATIBILITY CHART

MATERIAL DASH NO.	ADHESIVE (COATING) SLASH NUMBER	ADHESIVE (COATING) S NUMBER
-3	/42; /86	S-1017; S-1048
-4	/42; /86	S-1017; S-1048
-6	N/A	N/A
-25		

UNLESS OTHERWISE SPECIFIED DIMENSIONS ARE INCHES. METRIC DIMENSIONS ARE IN BRACKETS.

DECIMAL TOLERANCES

.XXX ± 0.005 [0.13 mm]  
.XX ± 0.01 [0.25 mm]  
.X ± 0.1 [0.50 mm]

ANGLE TOLERANCE

.X ± 1 DEG.

TYCO ELECTRONICS RESERVES THE RIGHT TO AMEND THIS DRAWING AT ANY TIME. USERS SHOULD EVALUATE THE SUITABILITY OF THE PRODUCT FOR THEIR APPLICATION.

DRAWN  
UNGUYEN

APPROVED  
DHURRELL

THIRD ANGLE PROJECTION

**Tyco Electronics** Raychem Molded Parts  
305 Constitution Dr  
Menlo Park, CA 94025

TITLE  
**BOOT, STRAIGHT, WITH LIP**

SIZE B CODE IDENT. NO. 06090 DVG. NO. 202A915

© 2007-2011 Tyco Electronics Corporation. All rights reserved. DO NOT SCALE THIS DRAWING SHEET 1 OF 1

单击下面可查看定价，库存，交付和生命周期等信息

[>>TE Connectivity\(泰科\)](#)