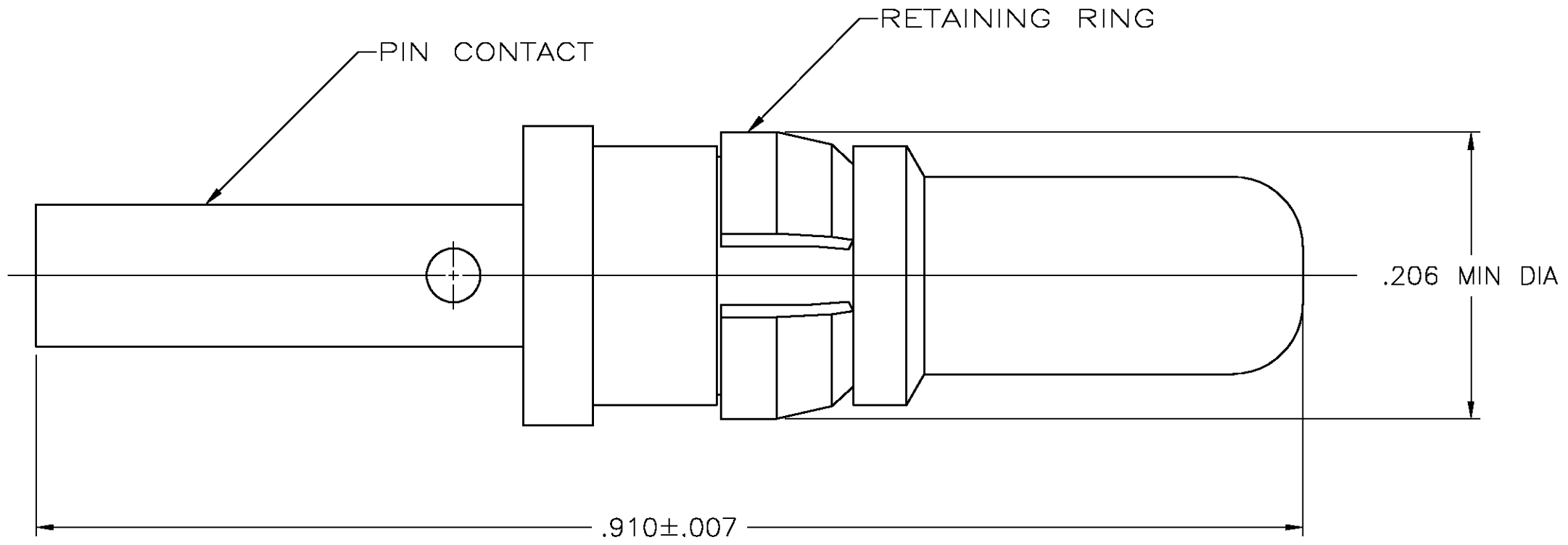


THIS DRAWING IS UNPUBLISHED. RELEASED FOR PUBLICATION
 © COPYRIGHT BY TYCO ELECTRONICS CORPORATION. ALL RIGHTS RESERVED.

LOC	DIST	REVISIONS					
FT	0	P	LTR	DESCRIPTION	DATE	DWN	APVD
			D	REVISED PER 0G3B-0008-04	1/9/04	SS	GS



213567-1
 PART NUMBER

- 1. WIRE BARREL WILL ACCEPT 16-18 AWG WIRE.
- 2. PIN CONTACT: BRASS.
RING RETAINING: PHOSPHOR BRONZE.
- 3. 0.76 μm [.000030] MIN GOLD OVER
1.27 μm [.000050] MIN NICKEL.
- 4. 1.27 μm [.000050] MIN NICKEL.

THIS DRAWING IS A CONTROLLED DOCUMENT.		DWN C DORWART 09/06/91	Tyco Electronics Corporation Harrisburg, PA 17105	
DIMENSIONS: INCHES		CHK R STONE 9/10/91	Tyco Electronics Corporation Harrisburg, PA 17105	
TOLERANCES UNLESS OTHERWISE SPECIFIED:		APVD A TRAVIS 9/11/91	NAME PIN CONTACT ASSEMBLY, POWER VIII, METRIMATE	
0 PLC ± -		PRODUCT SPEC W PARKER 9/11/91	SIZE A3	
1 PLC ± -		APPLICATION SPEC	CAGE CODE 00779	DRAWING NO C-213567
2 PLC ± -		WEIGHT -	RESTRICTED TO -	
3 PLC ± .005		CUSTOMER DRAWING		
4 PLC ± -		SCALE 10:1 SHEET 1 OF 1 REV D		
ANGLES ± -				
MATERIAL -				
FINISH PIN CONTACT: 3 RING RETAINING: 4				

单击下面可查看定价，库存，交付和生命周期等信息

[>>TE Connectivity\(泰科\)](#)