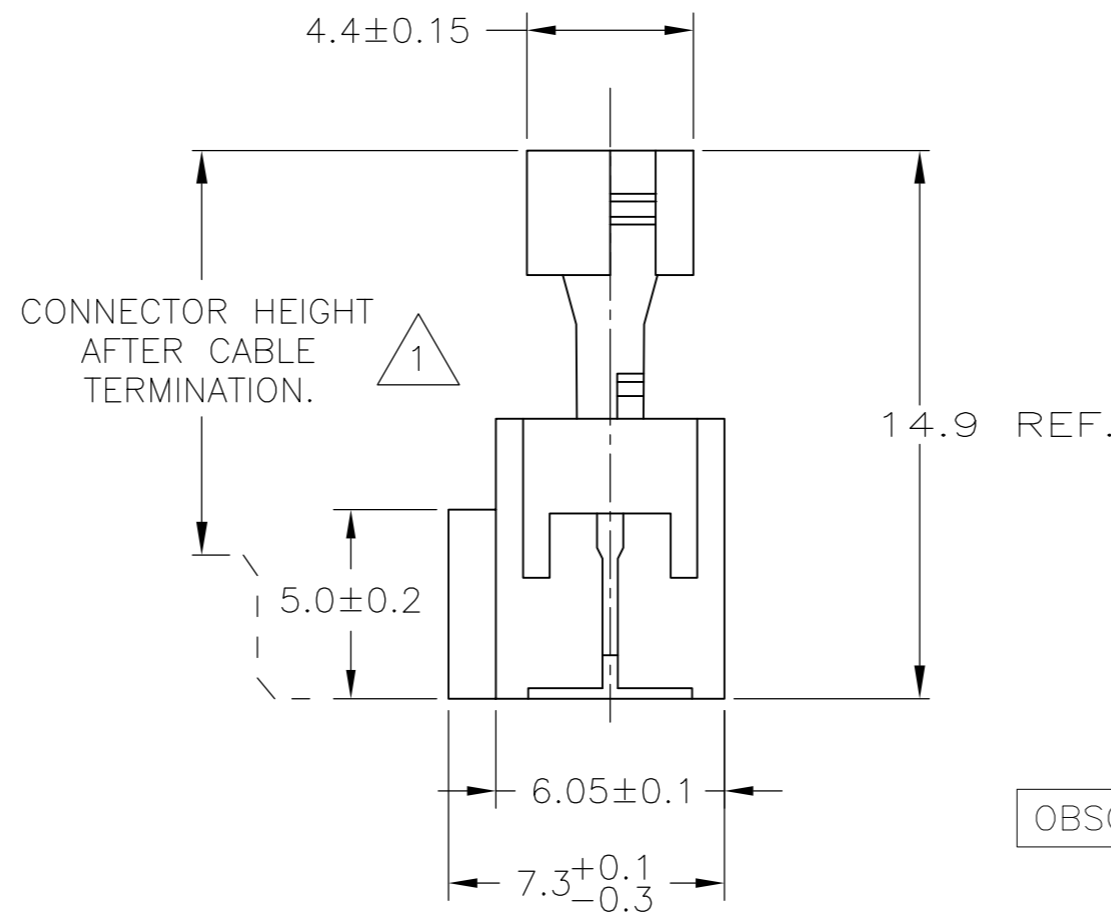
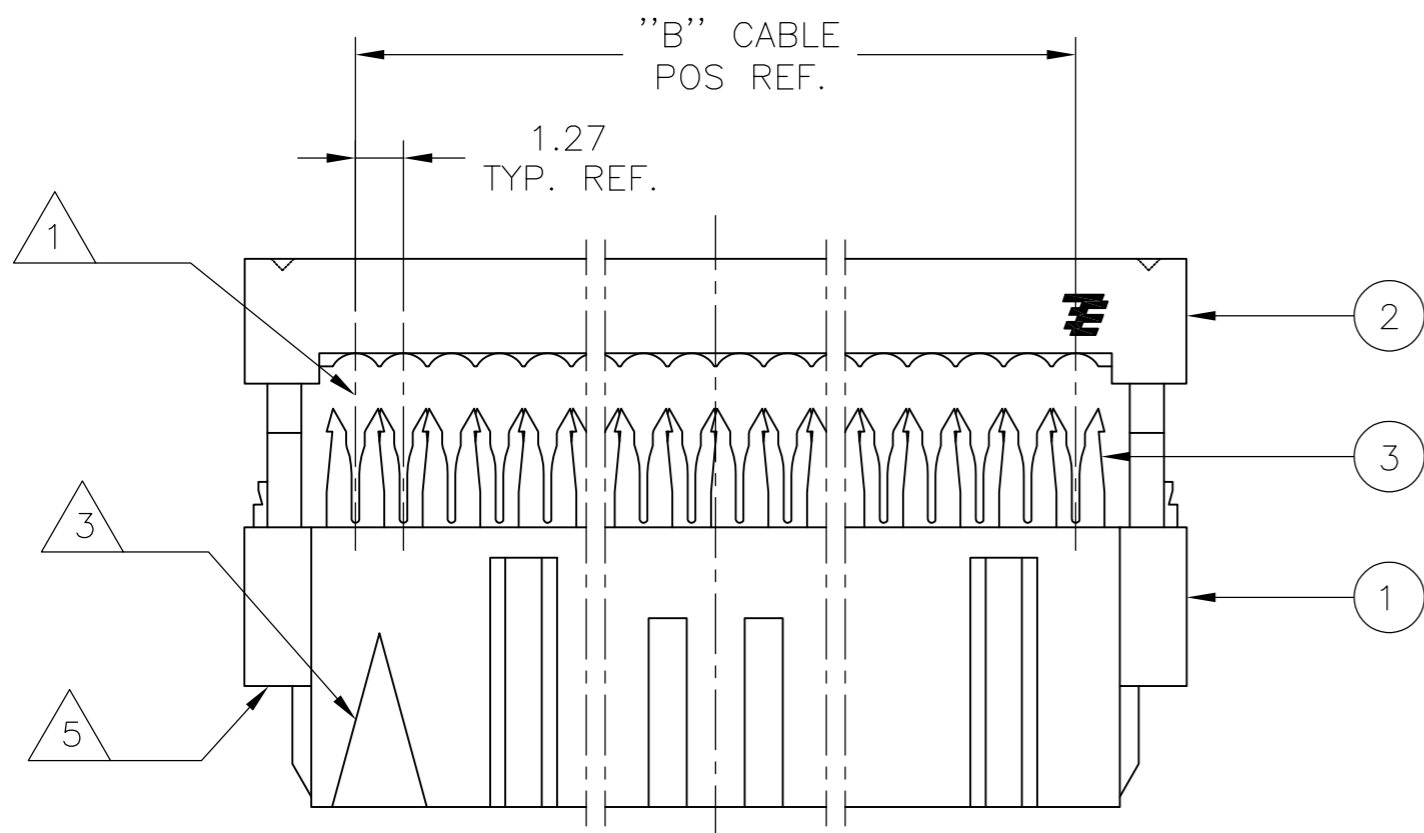
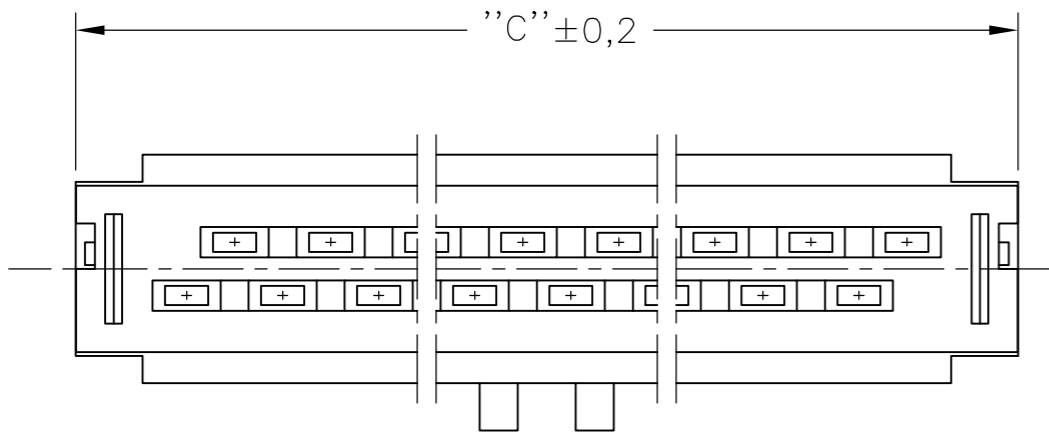


THIS DRAWING IS UNPUBLISHED. RELEASED FOR PUBLICATION
 © COPYRIGHT - By - ALL RIGHTS RESERVED.

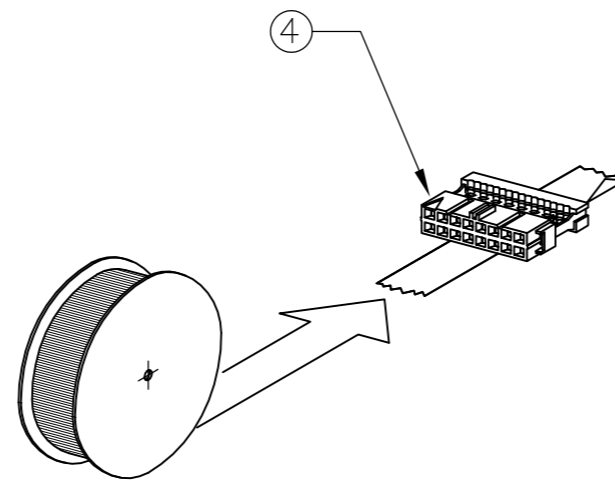
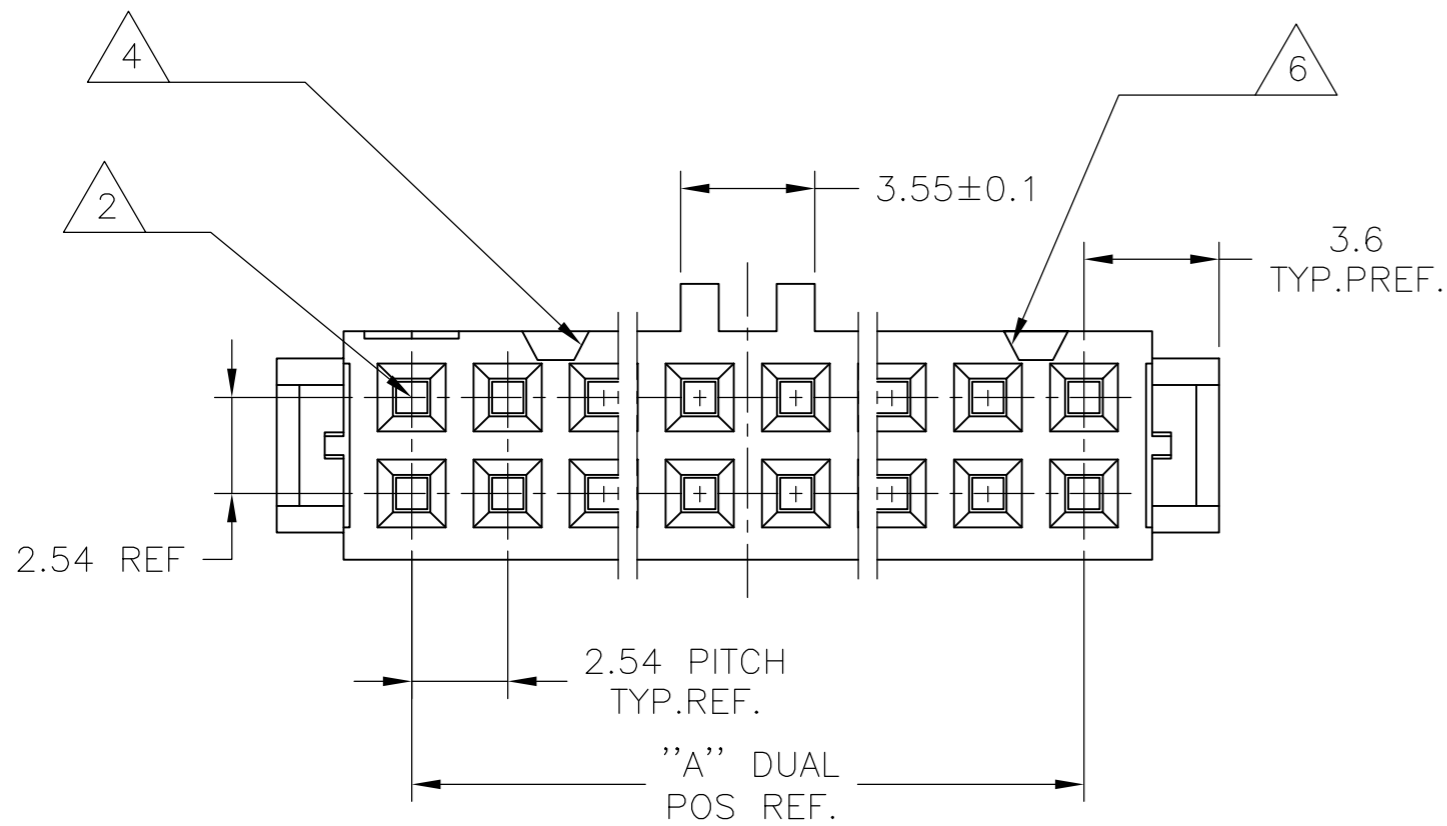
LOC		DIST		REVISIONS			
P	LTR	DESCRIPTION		DATE	DWN	APVD	
-	-	E	REVISED PER ECO-14-013012	15DEC2014	AP	PR	

- ① CONNECTOR IS DESIGNED FOR FLAT RIBBON CABLE ON 1.27 CENTERS. FOR CABLE REQUIREMENTS SEE THE APPLICATION SPECIFICATION 114-19022.
- ② THESE RECEPTACLE CONNECTORS MATE WITH 0.64±0.05mm SQUARE OR ROUND POSTS ON 2.54mm GRID.
- ③ MARK INDICATING FIRST CABLE POSITION REFERRING TO CONTACT POSITION.
- ④ THERE IS NO POLARIZATION-SLOT AT THIS END IN 6, 10 AND 14 POS CONNECTORS.
- ⑤ THESE CONNECTORS CAN BE USED IN CONJUNCTION WITH STRAIN-RELIEF COVERS OF PARTNR: 100103.
- ⑥ THERE IS NO POLARIZATION-SLOT AT THIS END IN 6 POS CONNECTORS.
- ⑦ PRODUCT SPECIFICATION 108-19033.



COMPONENT NAME	MATERIAL	PLATING / COLOUR
③ RECEPTACLE CONTACT	PHOSPHORBRONZE Cu Sn6	AT CONTACT-PLACE: 0,8µ GOLD AT WIRING END: 2,5µ TIN ENTIRE UNDERCOATING: 1,27µ NICKEL
② COVER	THERMOPLASTIC POLYESTER GF UL 94 -V0	GREY RAL 7032 ONLY FOR REF.
① HOUSING		

QTY	WGT	POS	POS	POS	PARTNO	REV
500	85,9	64	32	6-215915-4	D	
500	80,8	60	30	6-215915-0	D	
500	68,1	50	25	5-215915-0	D	
OBSOLETE	1500	60,5	44	4-215915-4	D	
750	55,4	40	20	4-215915-0	D	
OBSOLETE	1500	47,8	34	3-215915-4	D	
OBSOLETE	1500	42,7	30	3-215915-0	D	
1500	37,6	26	13	2-215915-6	D	
1500	30,0	20	10	2-215915-0	D	
1500	24,9	16	8	1-215915-6	D	
1500	22,4	14	7	1-215915-4	D	
1500	17,3	10	5	1-215915-0	D	
OBSOLETE	1500	14,8	8	0-215915-8	B	
1500	12,2	6	3	0-215915-6	D	
OBSOLETE	1500	9,7	4	0-215915-4	B	
QUANTITY PER REEL	DIM."C"	"B" CABLE POS.	"A" DUAL POS.	PARTNUMBER ④	PART REV.	



THIS DRAWING IS A CONTROLLED DOCUMENT.

DWN	R.HOGEVEEN	02-02-88
CHK	R.VERSTIJNEN	03-02-88
APVD	L.V.SOEST	03-02-88

TE Connectivity

AMP-LATCH MIL-TYPE RECEPT. CONN. ASS'Y 14,9 PRE-ASSEMBLED 0.8µm SELECTIVE GOLDPLATE ④

SIZE	A2	CAGE CODE	00779	DRAWING NO	C=215915	RESTRICTED TO	-
SCALE	5:1	SHEET	1 OF 1	REV	E		

CUSTOMER DRAWING

单击下面可查看定价，库存，交付和生命周期等信息

[>>TE Connectivity\(泰科\)](#)