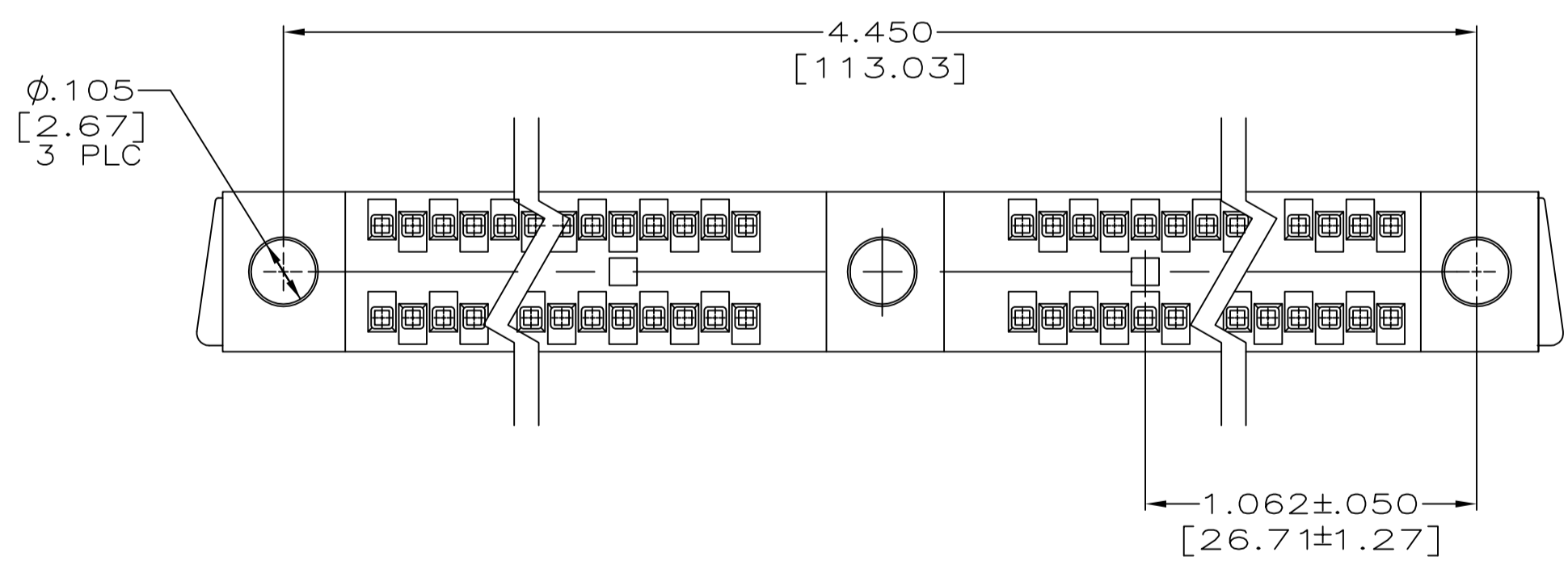
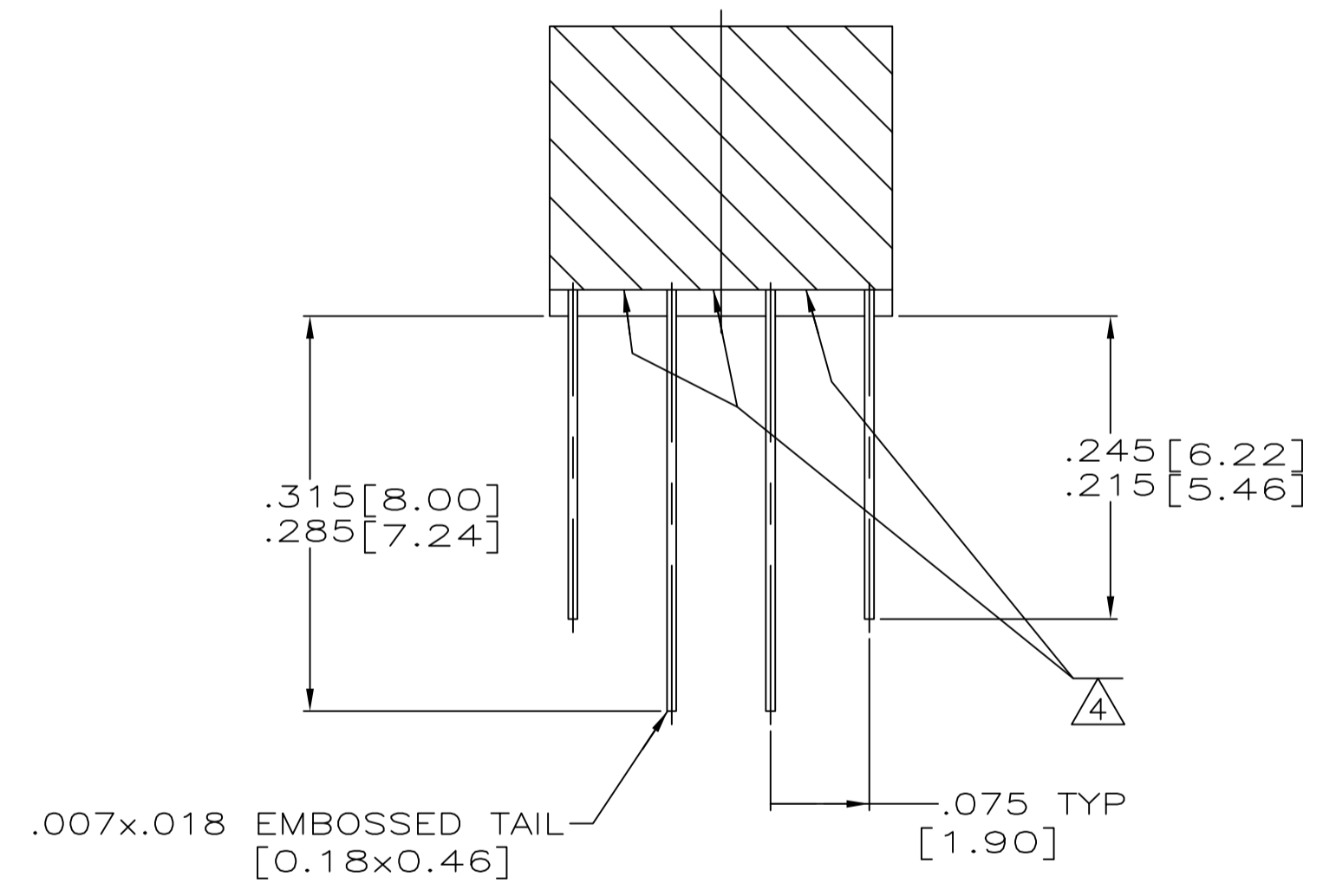
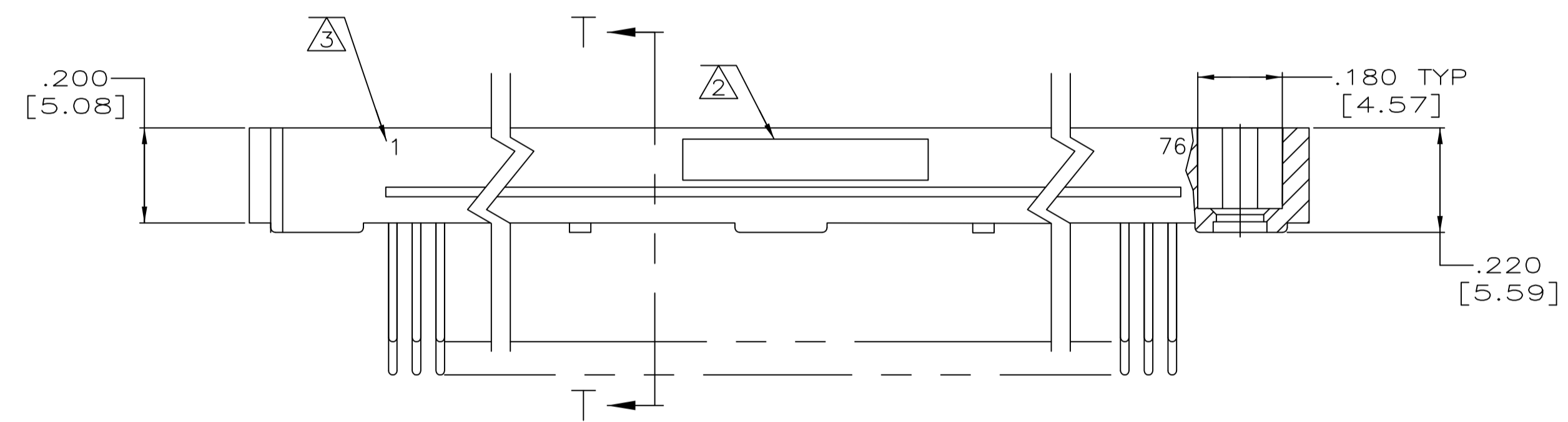
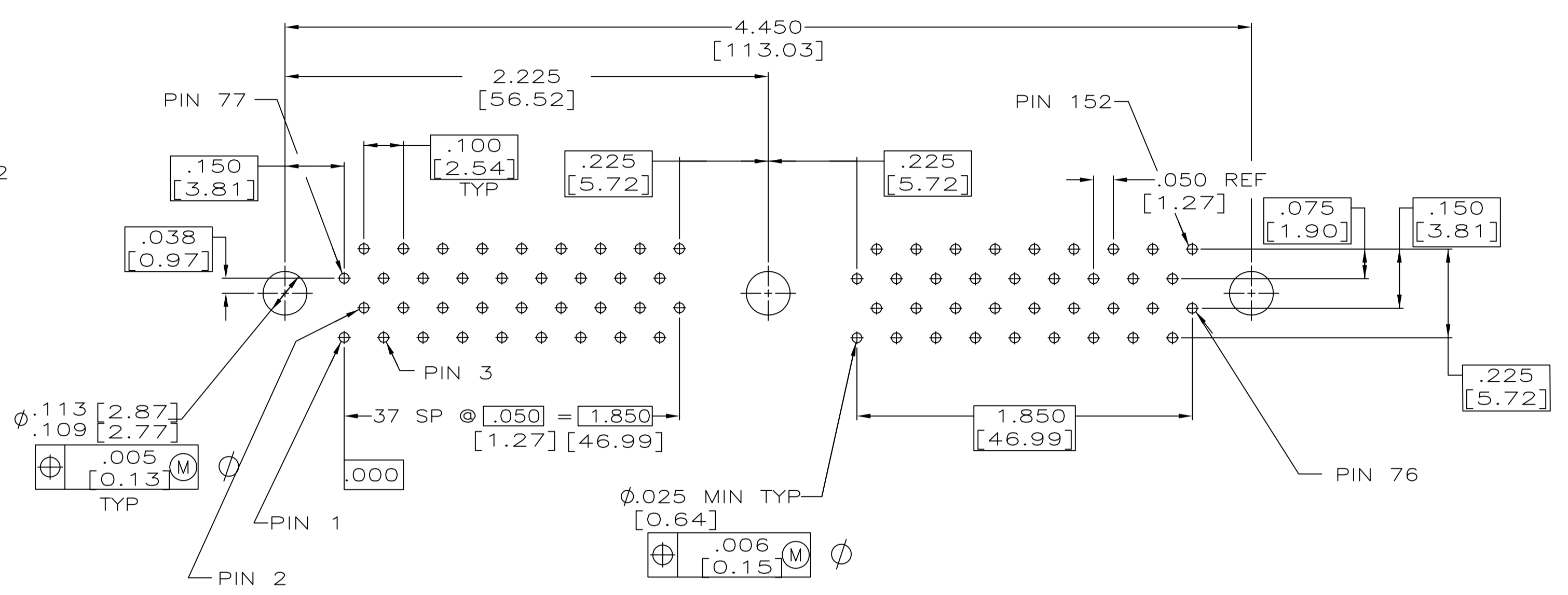
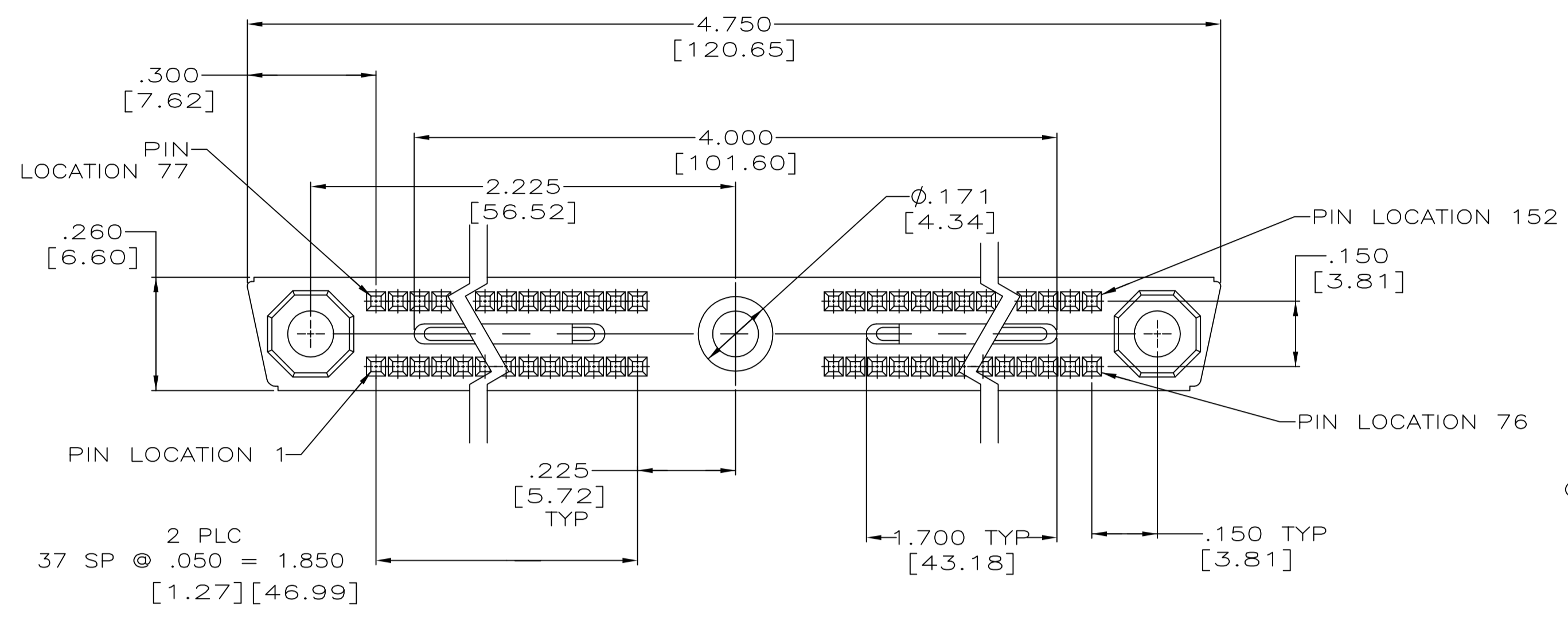


REVISIONS				
P	LTR	DESCRIPTION	DATE	OWN APVD
A		REVISED PER ECO-16-017894	27APR2017	PHM CT



SECTION T-T
SCALE 8:1

- CONNECTOR MEETS ALL APPLICABLE REQUIREMENTS OF MIL-C-55302.
- AMP, AMP PART NO. & DATE CODE MARKED IN THIS APPROXIMATE AREA, OPPOSITE SIDE.
- NUMBERS INDICATING END POSITIONS STAMPED THIS SIDE ONLY.
- BOTTOM SURFACE OF HOUSING SEALED.
- CONTACT FINISH: .000050 [0.0013] GOLD ALL OVER NICKEL UNDERPLATE IN CONTACT AREA, GOLD FLASH OVER NICKEL UNDERPLATE ON REMAINDER OF CONTACT.

152	447658-1
POSN.	PART NO.

THIS DRAWING IS A CONTROLLED DOCUMENT.		OWN P. YEAGER 3-20-91		STE TE Connectivity	
DIMENSIONS: INCHES(mm)		DW D. GUTTER 3-24-91		RECEPTACLE ASSEMBLY, EXTENDED MINI-BOX SEALED	
TOLERANCES UNLESS OTHERWISE SPECIFIED:		APVD D. GUTTER 3-24-91		APPLICATION SPEC	
0 PLC ± -		NAME		SIZE CAGE CODE DRAWING NO	
1 PLC ± -		PRODUCT SPEC		RESTRICTED TO	
2 PLC ± -		APPLICATION SPEC		A1 00779 C=447658	
3 PLC ± .005		WEIGHT		SCALE 4:1 SHEET 1 OF 1 REV A	
4 PLC ± -		CUSTOMER DRAWING			
ANGLES ± -					
FINISH - 3					
MATERIAL LIQUID CRYSTAL POLYMER					

单击下面可查看定价，库存，交付和生命周期等信息

[>>TE Connectivity\(泰科\)](#)