

4

3

2

1

THIS DRAWING IS UNPUBLISHED.

RELEASED FOR PUBLICATION

06 2007.

© COPYRIGHT 2007 BY TYCO ELECTRONICS CORPORATION. ALL RIGHTS RESERVED.

LOC	DIST	REVISIONS			
P	LTR	DESCRIPTION	DATE	DWN	APVD
ES	00	E	REVISED PER ECR-10-011717	30MAY2010	S.W S.Y

REFERENCE P.C. BOARD LAYOUT
P.C. BOARD THK 0.8~1.2
(VIEW FROM CONNECTOR MOUNTING SIDE)

△1 MATERIAL HOUSING : LCP, UL94V-0
COLOR ; BLACK
CONTACT : COPPER ALLOY
NUT PLATE : STAINLESS STEEL

△2 FINISH CONTACT : Ni ALL OVER UNDER PL
Au PL. 0.3μm MIN. AT CONTACT AREA
Au FLASH PL. AT LEAD AREA

THIS DRAWING IS A CONTROLLED DOCUMENT.		DWN T.KATANO 12JUL07	Tyco Electronics Corporation Shanghai, P.R.China, 200233	
DIMENSIONS: mm		CHK K.IKEGAMI 12JUL07	NAME 2.5mm PITCH BATTERY CONNECTOR (10POS.) PLUG ASSY REVERSE TYPE	
TOLERANCES UNLESS OTHERWISE SPECIFIED:		APVD K.IKEGAMI 12JUL07	PRODUCT SPEC 108-5775	
<ul style="list-style-type: none"> ∅-PLC ± 0.15 1-PLC ± 2-PLC ± 3-PLC ± 4-PLC ± ANGLES ± 3' 		APPLICATION SPEC -	SIZE A3	CAGE CODE 00779
MATERIAL △1		FINISH △2	DRAWING NO C=2013098	RESTRICTED TO -
CUSTOMER DRAWING		WEIGHT -	SCALE 2:1	SHEET 1 of 3
			REV E	

AMP 1470-19 REV 31MAR2000

Downloaded From Oneyac.com

4

3

2

1

THIS DRAWING IS UNPUBLISHED.

RELEASED FOR PUBLICATION

06 2007.

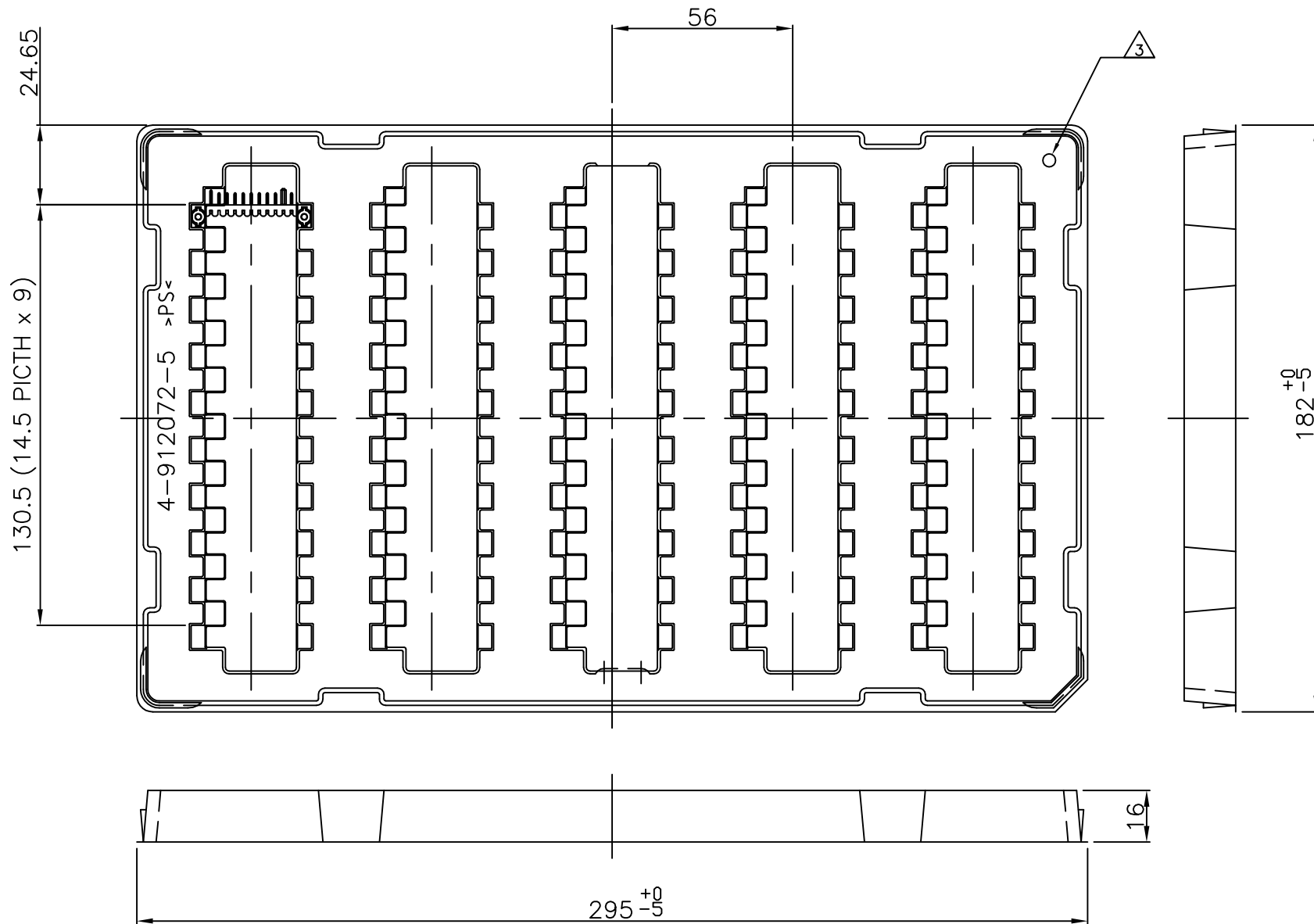
© COPYRIGHT 2007 BY TYCO ELECTRONICS CORPORATION. ALL RIGHTS RESERVED.

LOC ES DIST 00

REVISIONS

P	LTR	DESCRIPTION	DATE	DWN	APVD
-	-	SEE SHEET 1	-	-	-

2013098-1, AS SHOWN

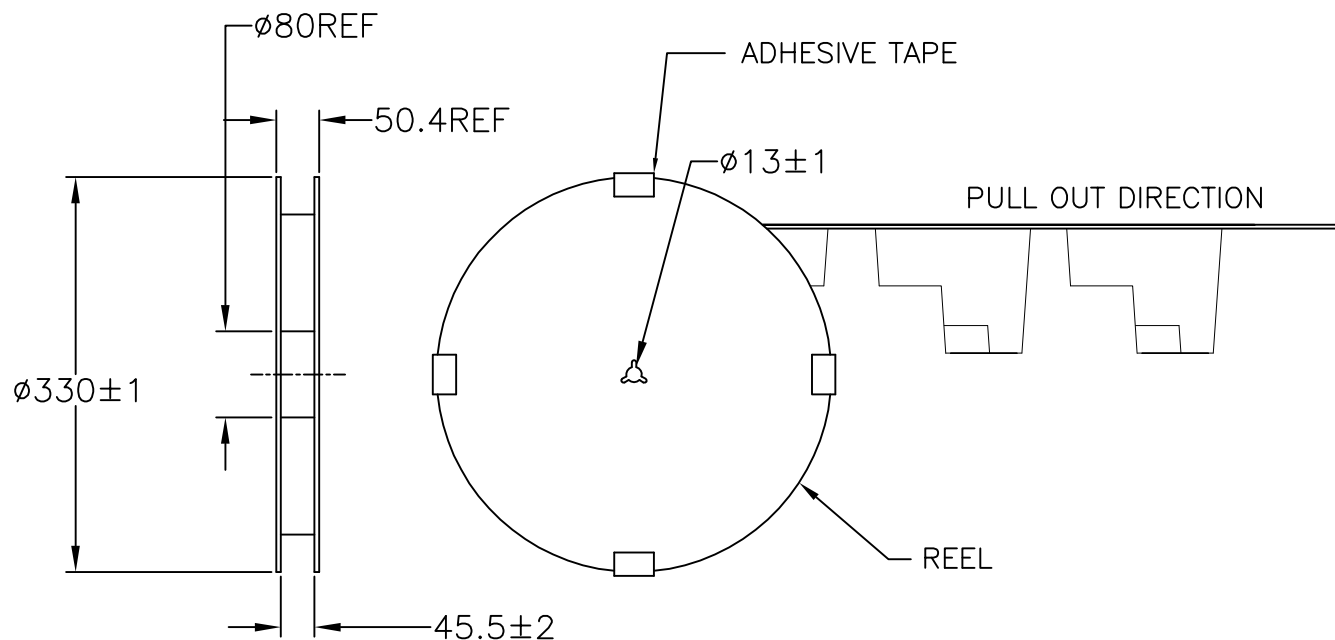


3 BLACK DOT MARK.

THIS DRAWING IS A CONTROLLED DOCUMENT.		DWN T.KATANO 12JUL07	Tyco Electronics Corporation Shanghai, P.R.China, 200233				
DIMENSIONS: mm		CHK K.IKEGAMI 12JUL07	NAME 2.5mm PITCH BATTERY CONNECTOR (10POS.) PLUG ASSY REVERSE TYPE				
TOLERANCES UNLESS OTHERWISE SPECIFIED:		APVD K.IKEGAMI 12JUL07					
<ul style="list-style-type: none"> 0-PLC ± 1 1-PLC ± 2-PLC ± 3-PLC ± 4-PLC ± ANGLES ± FINISH 		PRODUCT SPEC -	SIZE A3	CAGE CODE 00779	DRAWING NO C=2013098	RESTRICTED TO -	
MATERIAL -		APPLICATION SPEC -	WEIGHT -	SCALE 1:2		SHEET 2 of 3	REV E
CUSTOMER DRAWING							

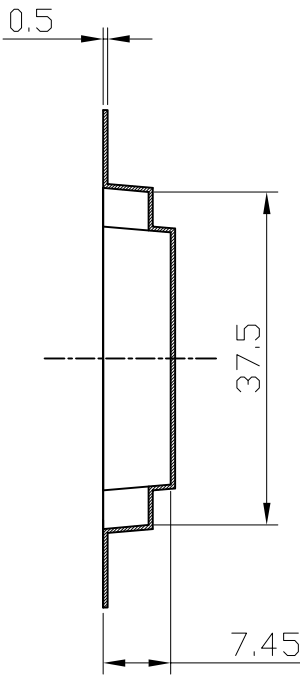
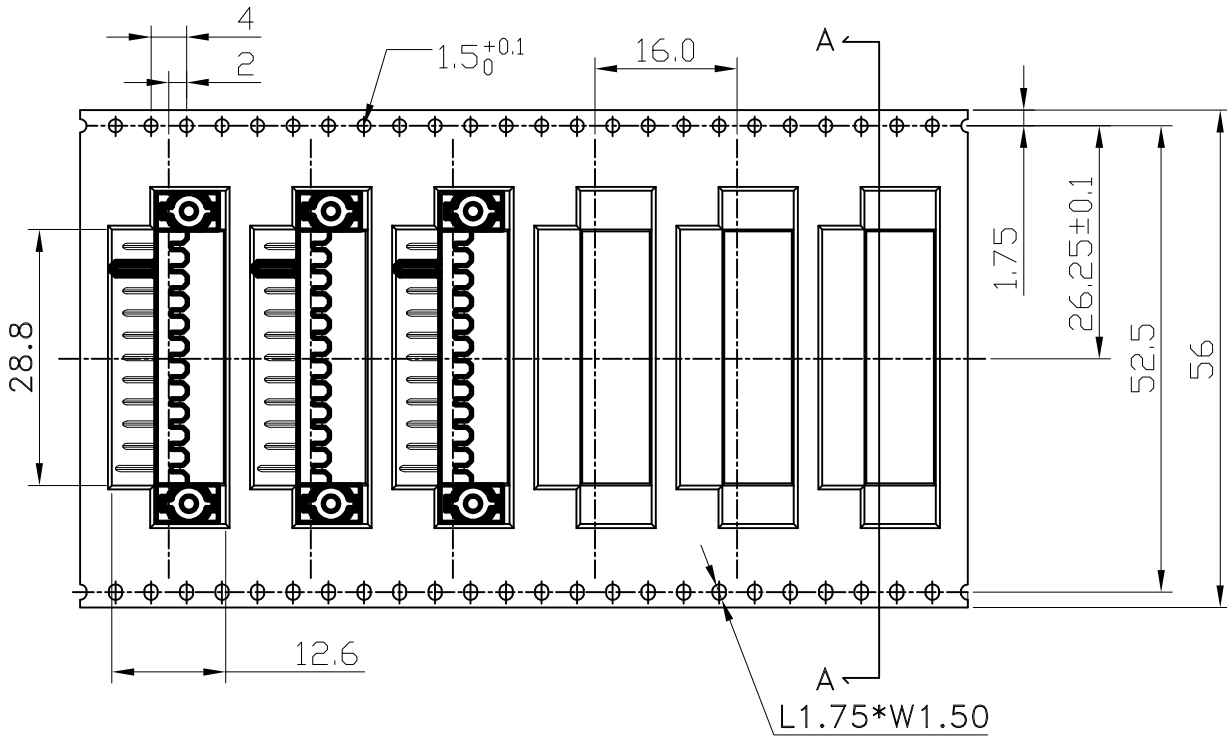
THIS DRAWING IS UNPUBLISHED. RELEASED FOR PUBLICATION 06 2007.
 © COPYRIGHT 2007 BY TYCO ELECTRONICS CORPORATION. ALL RIGHTS RESERVED.

LOC	DIST	REVISIONS			
P	LTR	DESCRIPTION	DATE	DWN	APVD
ES	00	SEE SHEET 1	-	-	-



2013098-2, AS SHOWN

1. PEELING RESISTANCE: 0.1 TO 0.7N
2. PEELING SPEED : 300MM/MINUTES
3. PRIMARY PACKING: 500 EA PER REEL



SECTION A-A

THIS DRAWING IS A CONTROLLED DOCUMENT.		DWN T.KATANO 12JUL07	Tyco Electronics Corporation Shanghai, P.R.China, 200233												
DIMENSIONS: mm		CHK K.IKEGAMI 12JUL07	NAME 2.5mm PITCH BATTERY CONNECTOR (10POS.) PLUG ASSY REVERSE TYPE												
TOLERANCES UNLESS OTHERWISE SPECIFIED:		APVD K.IKEGAMI 12JUL07	PRODUCT SPEC												
<table border="0"> <tr><td>0 PLC</td><td>± 0.5</td></tr> <tr><td>1 PLC</td><td>± 0.3</td></tr> <tr><td>2 PLC</td><td>± 0.3</td></tr> <tr><td>3 PLC</td><td>± 0.3</td></tr> <tr><td>4 PLC</td><td>± 0.3</td></tr> <tr><td>ANGLES</td><td>± 3'</td></tr> </table>		0 PLC	± 0.5	1 PLC	± 0.3	2 PLC	± 0.3	3 PLC	± 0.3	4 PLC	± 0.3	ANGLES	± 3'	APPLICATION SPEC	
0 PLC	± 0.5														
1 PLC	± 0.3														
2 PLC	± 0.3														
3 PLC	± 0.3														
4 PLC	± 0.3														
ANGLES	± 3'														
MATERIAL		WEIGHT	SIZE A3	CAGE CODE 00779											
		DRAWING NO C=2013098		RESTRICTED TO											
		CUSTOMER DRAWING		SCALE 2:1											
		SHEET 3 of 3		REV E											

单击下面可查看定价，库存，交付和生命周期等信息

[>>TE Connectivity\(泰科\)](#)