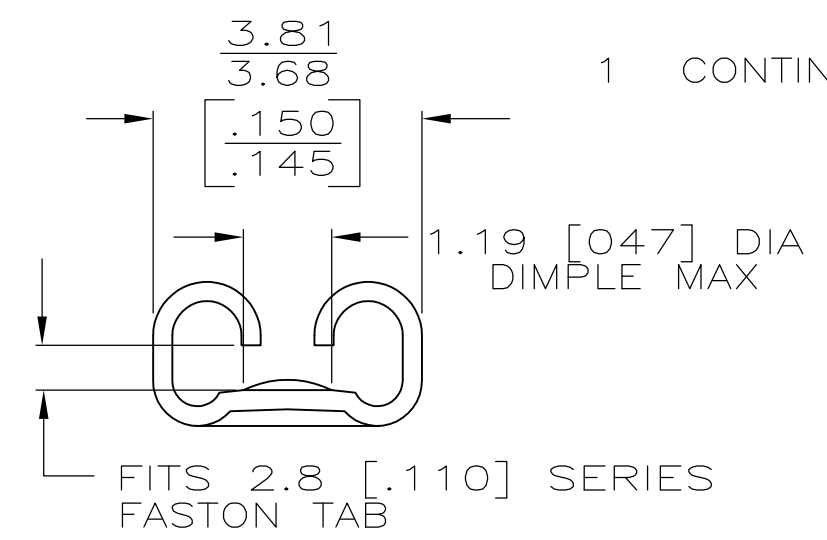
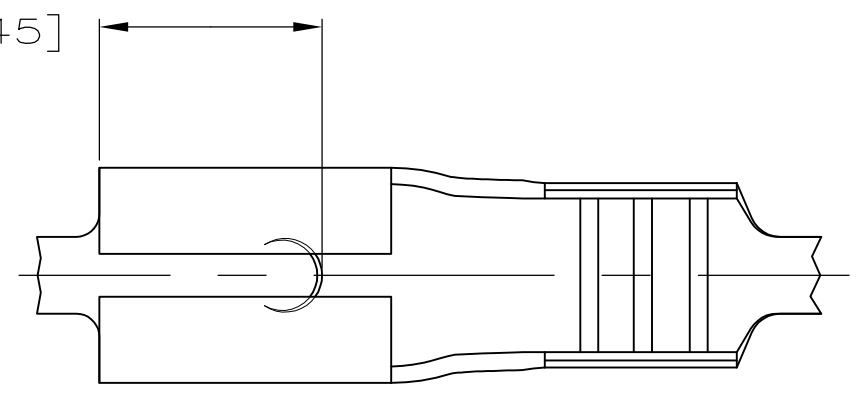


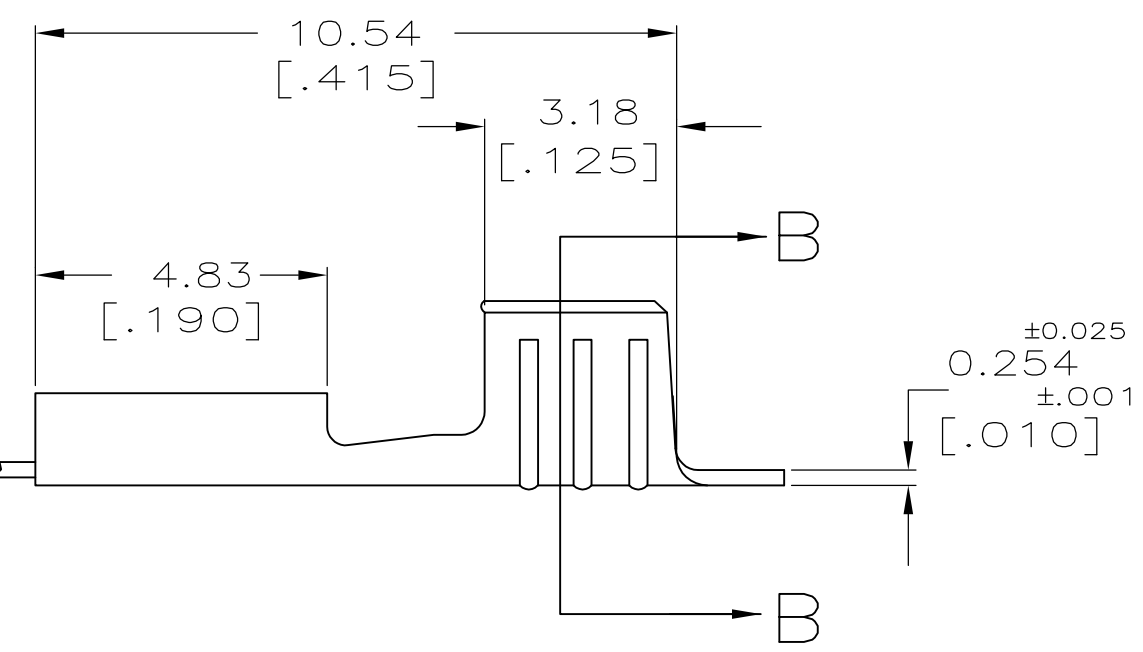
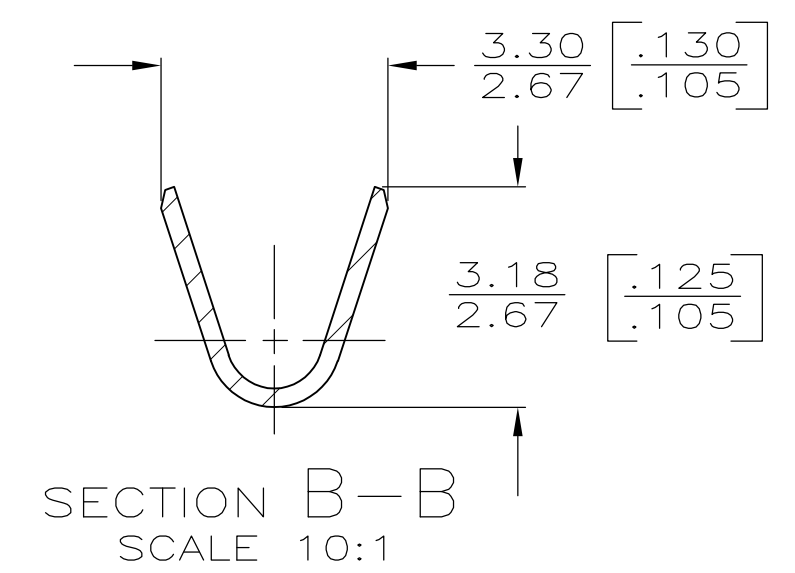
THIS DRAWING IS UNPUBLISHED. RELEASED FOR PUBLICATION  
 © COPYRIGHT - By - ALL RIGHTS RESERVED.

LOC	DIST	REVISIONS					
AF	50	P	LTR	DESCRIPTION	DATE	DWN	APVD
		D		REVISED PER ECR-12-013518	23NOV2012	KH	PD

3.68 [.145]



VIEW A-A  
SCALE 10:1



0.5-1.3mm <sup>2</sup> [20-16]	0.813 [.032]	63560-1
WIRE SIZE	MATING TAB THK ±0.025 [.001]	PART NO

3.96 [.156]	F	2.29 [.090]	1.295 [.051]	1.3mm <sup>2</sup> [16]
			1.118 [.044]	0.8mm <sup>2</sup> [18]
			0.990 [.039]	0.5mm <sup>2</sup> [20]
STRIP LENGTH ±0.38 ±[.015]	TYPE	WIDTH	±.051 [±.002] HEIGHT	WIRE
WIRE BARREL CRIMP				

THIS DRAWING IS A CONTROLLED DOCUMENT.

DIMENSIONS: mm [INCHES]

TOLERANCES UNLESS OTHERWISE SPECIFIED:

0 PLC ± -  
 1 PLC ± -  
 2 PLC ± -  
 3 PLC ± 0.25 [.010]  
 4 PLC ± -  
 ANGLES ± -

MATERIAL: BRASS

FINISH: PRE-TIN 0.002032 [.000080] MIN THK PER MIL-T-10727

DWN JR RUTH 11/16/89	 TE Connectivity	RECEPTACLE, FASTON,™ 2.8 [.110] SERIES	
CHK MS FEHER 11/16/89		NAME	
APVD C MEYERS 11/16/89		PRODUCT SPEC	
APPLICATION SPEC		RESTRICTED TO	
WEIGHT -	SIZE A3	CAGE CODE 00779	DRAWING NO C-63560
CUSTOMER DRAWING	SCALE 8:1	SHEET 1 OF 1	REV D

单击下面可查看定价，库存，交付和生命周期等信息

[>>TE Connectivity\(泰科\)](#)