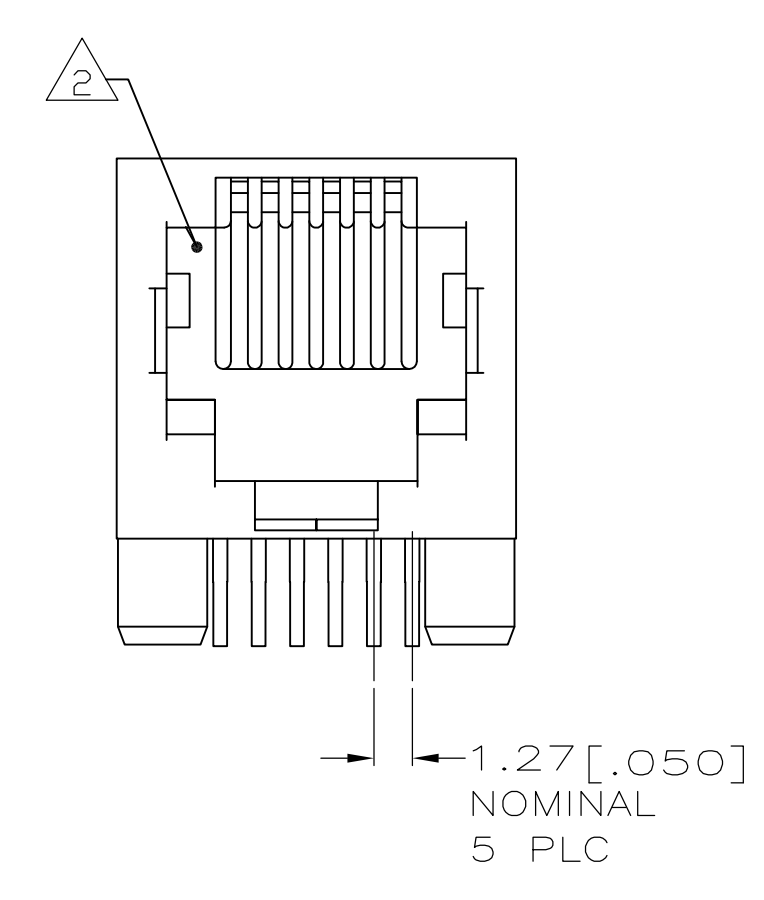
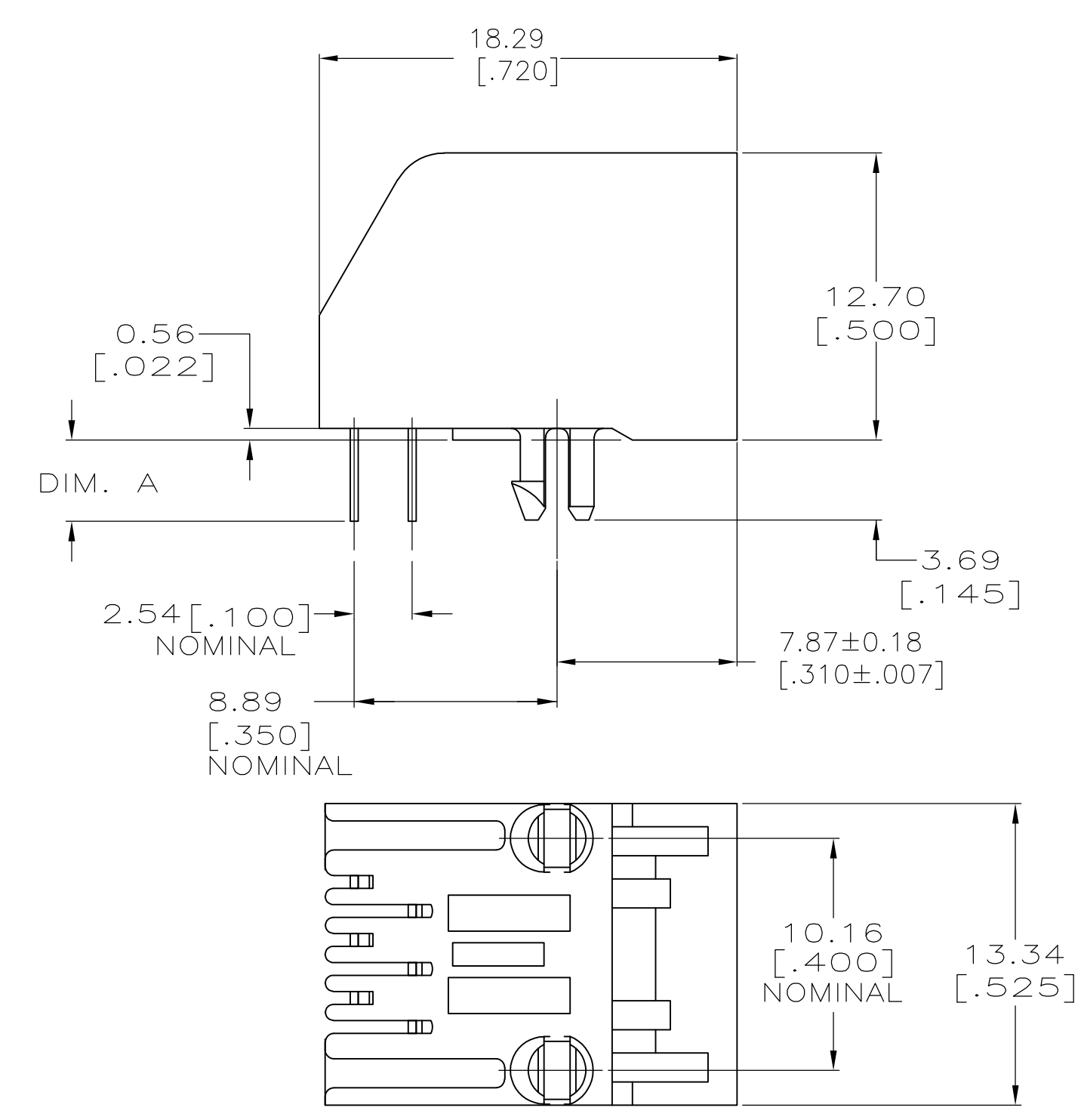
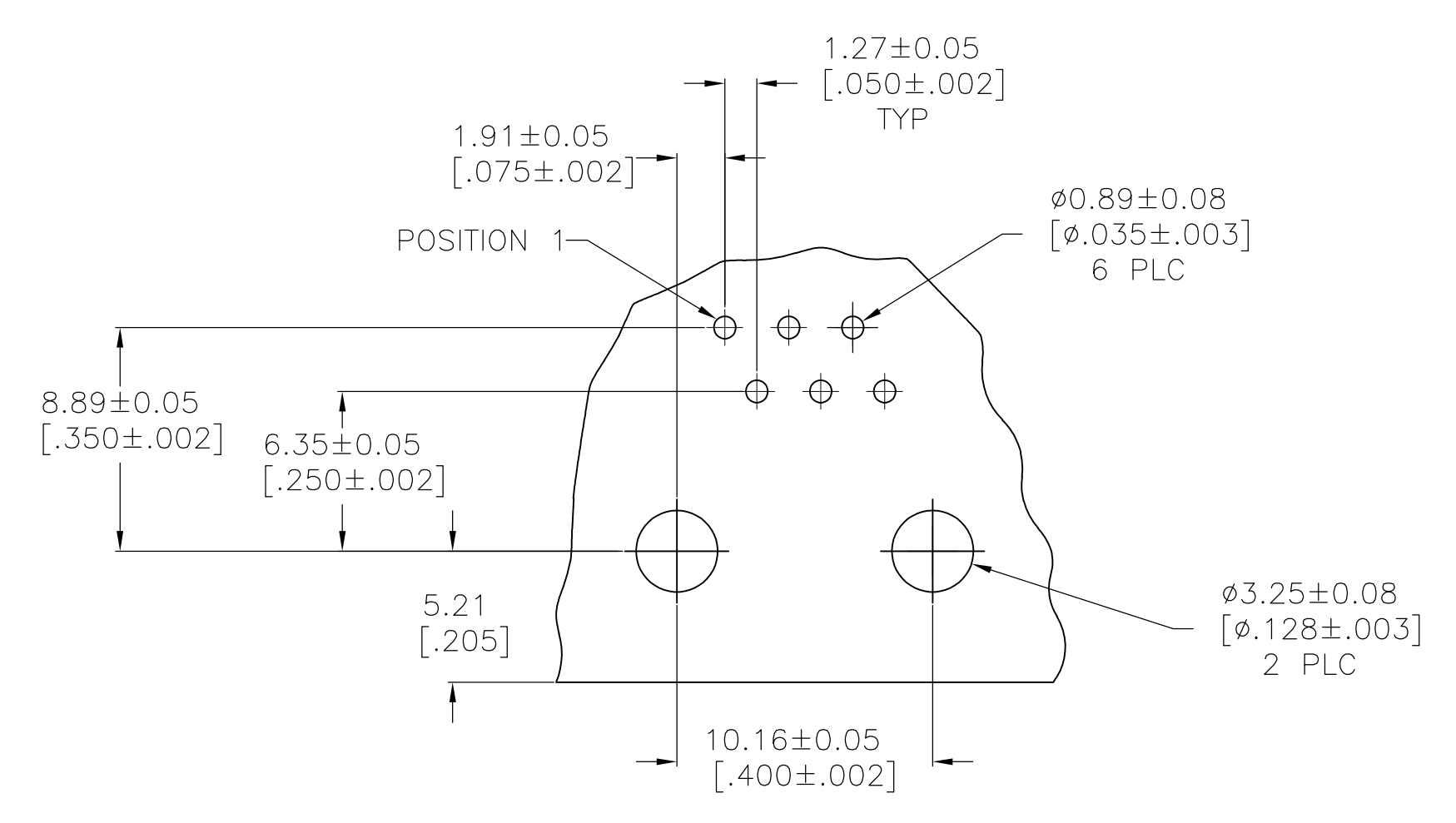
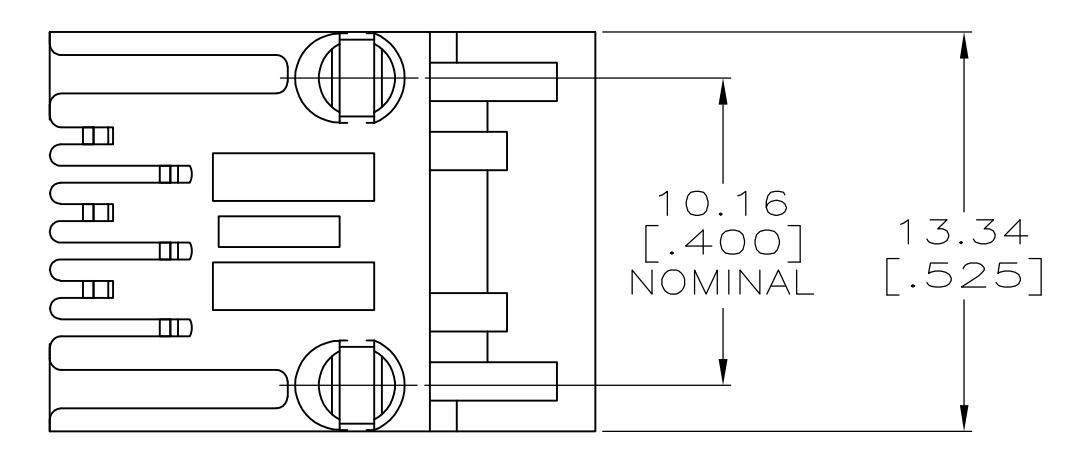


LOC	DIST	REVISIONS			
		REV	DESCRIPTION	DATE	BY
AA	00	B	ECO-07-019669	27AUG2007	LAM PR
		B1	ECO-15-013597	10SEP2015	AD SH



- MATERIAL: HOUSING - HTN MOLDING COMPOUND, 94V-0 RATED, COLOR: BLACK
 TERMINAL - 0.36[.014] THICK PHOSPHOROUS-BRONZE PLATED WITH 1.27 μ m[.000050] MINIMUM THICK GOLD IN LOCALIZED GOLD PLATE AREA AND 3.81 μ m[.000150] MINIMUM THICK MATTE TIN IN SOLDER AREA OVER 1.27 μ m[.000050] MINIMUM THICK NICKEL UNDERPLATE.
- JACK CAVITY CONFORMS TO FCC RULES AND REGULATIONS PART 68, SUBPART F.
- DIMENSIONS ARE MAXIMUM UNLESS OTHERWISE SPECIFIED.
- BULK PACKAGED IN A TRAY.



RECOMMENDED PRINTED CIRCUIT BOARD COMPONENT SIDE

2.60±0.30 [.102±.01]	5569026-2
3.60±0.3 [.140±.01]	5569026-1
DIM.A	PART NO

4	5569026-2
4	5569026-1
PACKAGED	PART NO

THIS DRAWING IS A CONTROLLED DOCUMENT.		DIN: A. FERNANDEZ-DICKS 10JUN2005 CHK: J. WESTMAN 10JUN2005 APVD: S. FLICKINGER 10JUN2005 NAME: Tyco Electronics Corporation, Harrisburg, PA 17105-3608	
DIMENSIONS: mm [INCHES] TOLERANCES UNLESS OTHERWISE SPECIFIED: 0 PLC ± - 1 PLC ± - 2 PLC ± - 3 PLC ± - 4 PLC ± - ANGLES ± ± -		PRODUCT SPEC: 108-1163 APPLICATION SPEC: 114-2048 SIZE: A1 CAGE CODE: 00779 DRAWING NO: 5569026 RESTRICTED TO: -	
MATERIAL: SEE NOTE 1		CUSTOMER DRAWING	
SCALE: 4:1		SHEET 1 OF 1 REV B1	

单击下面可查看定价，库存，交付和生命周期等信息

[>>TE Connectivity\(泰科\)](#)