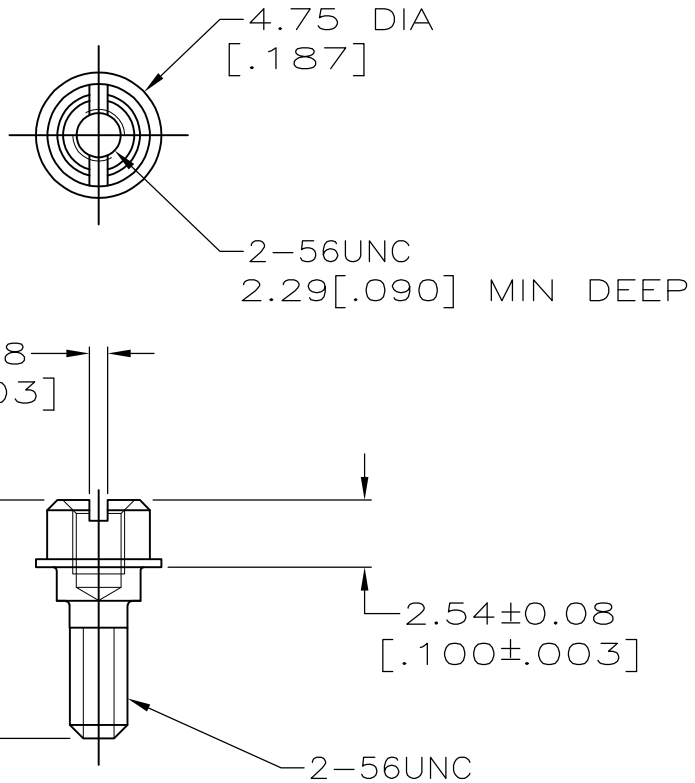


LOC	DIST	REVISIONS					
BD	95	P	LTR	DESCRIPTION	DATE	DWN	APVD
		B1		REVISED PER ECO-11-004835	11MAR11	RK	HMR



THIS DRAWING IS UNPUBLISHED. ALL RIGHTS RESERVED.

BULK	2	786585-3
INDIVIDUALLY	2	786585-2
PACKAGING TYPE	QTY	PART NO

DIMENSIONS: MM[INCHES]	DWN	C.OBERMAN	10/23/92	MATERIAL	STAINLESS STEEL	FINISH	-			
	CHK	W.LENKER	10-25-92	TE Connectivity						
	APVD	T.SPANGLER	10-27-92							
	TOLERANCES UNLESS OTHERWISE SPECIFIED: 0 PLC ± - 1 PLC ± - 2 PLC ± 0.13 [.005] 3 PLC ± - 4 PLC ± - ANGLES ± -	PRODUCT SPEC	NAME			SCREWLOCK KIT, FEMALE, UNASSEMBLED, AMPLIMITE™ .050 SERIES				
	APPLICATION SPEC	SIZE	CAGE CODE	DRAWING NO	RESTRICTED TO					
	WEIGHT	A4	00779	C-786585	-					
CUSTOMER DRAWING					SCALE	4:1	SHEET	1 OF 1	REV	B1

单击下面可查看定价，库存，交付和生命周期等信息

[>>TE Connectivity\(泰科\)](#)