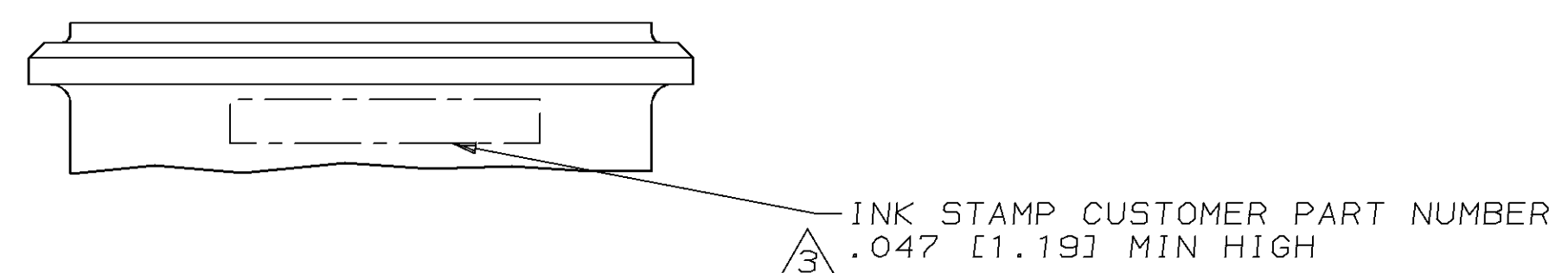
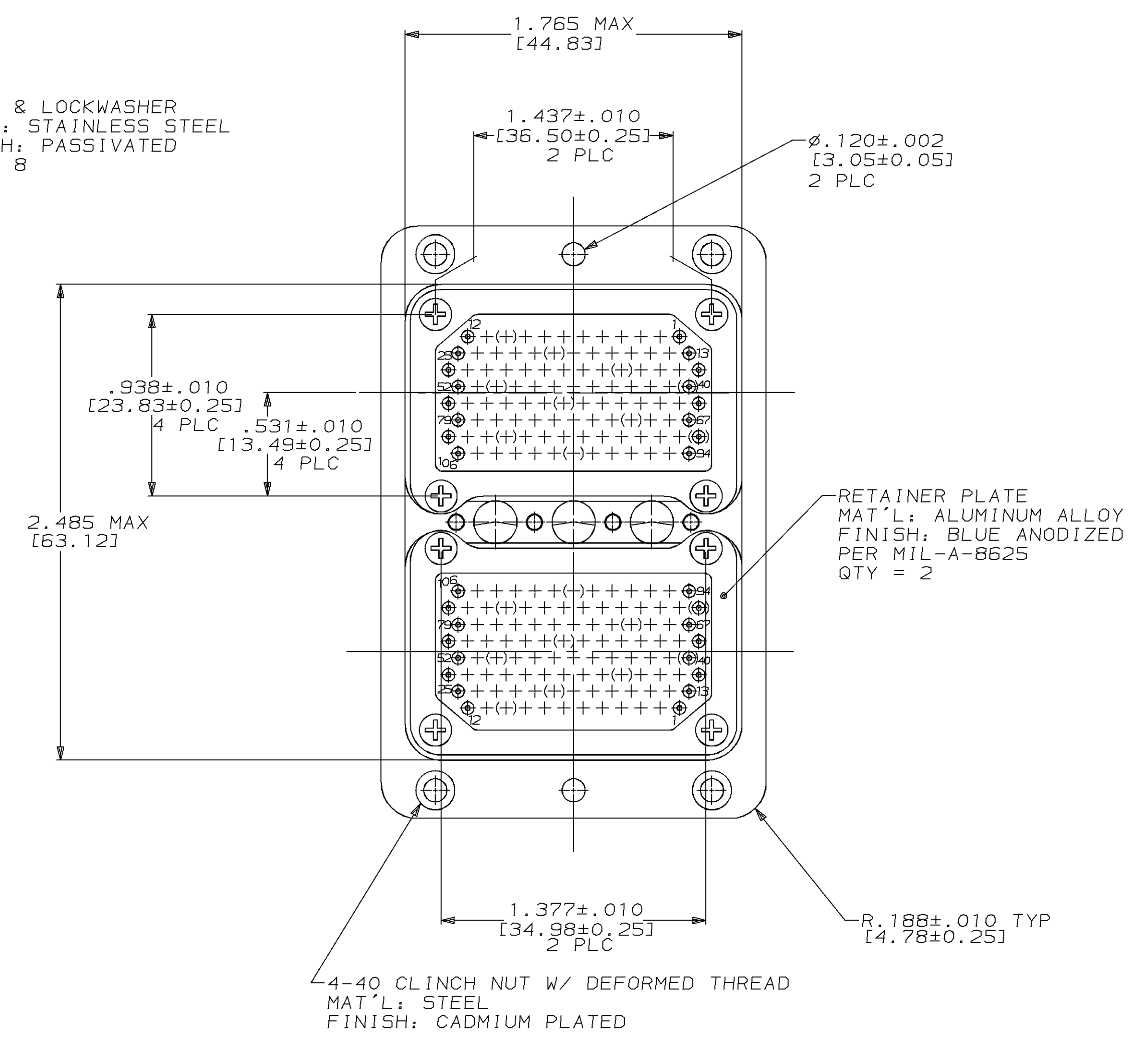
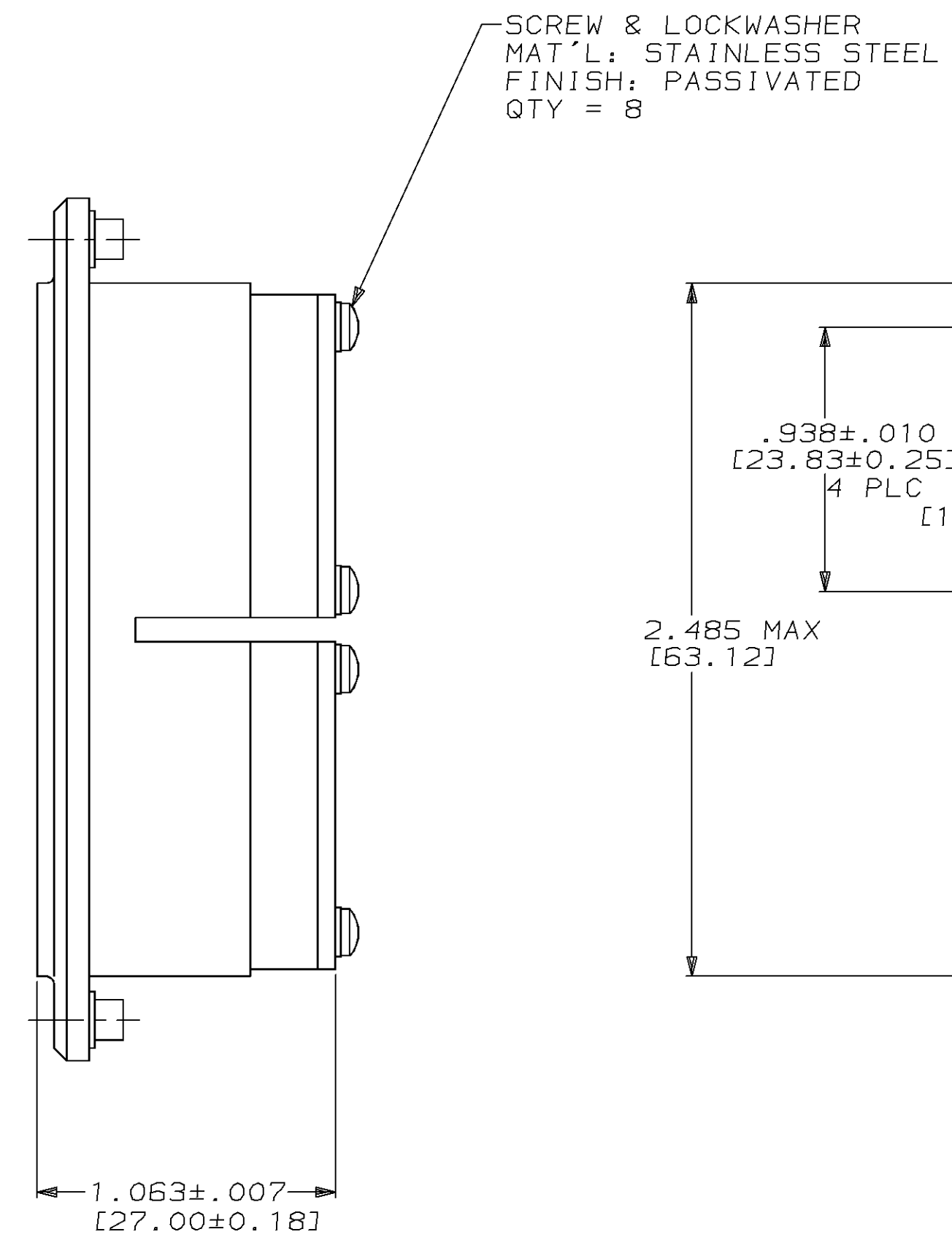
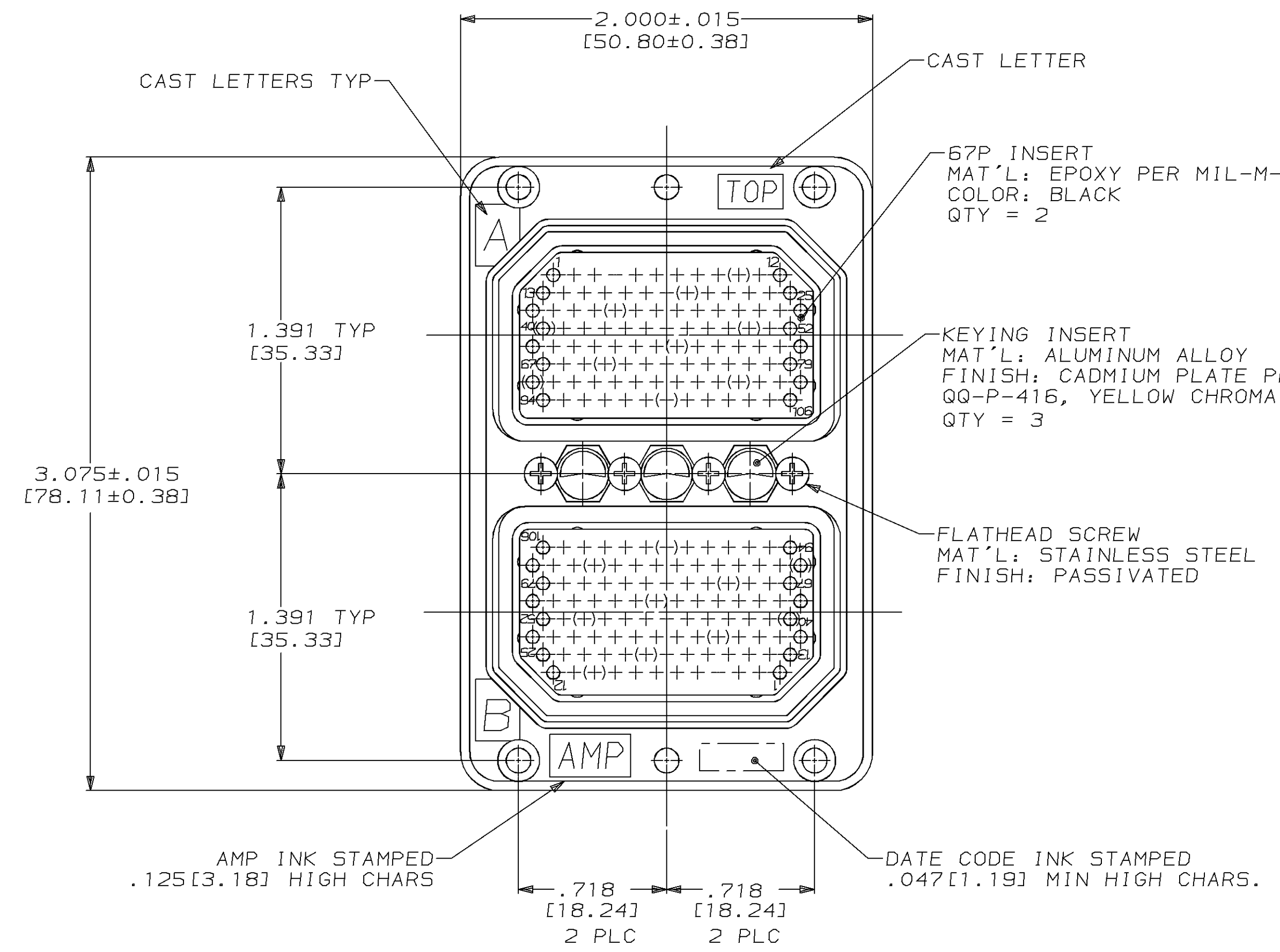
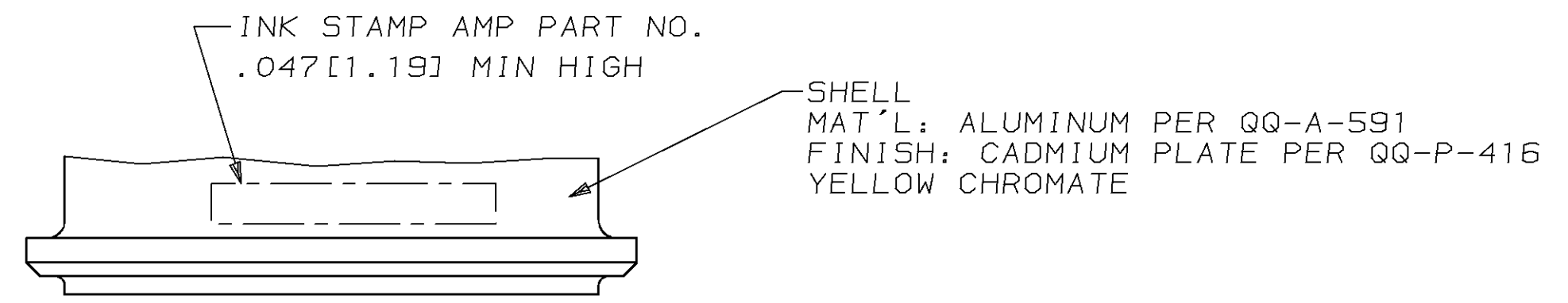


LOC		DIST		REVISIONS			
DF	AO	P	LYR	DESCRIPTION	DATE	DMN	APVD
		0		DRAWN PER 0600-3080-94	12-06-94	TT	KG



- CONTACTS ARE PRELOADED INTO THE CONNECTOR.
  - KEYING SHOWN IN POSITION "01".
- △ THE CONNECTOR SHALL BE MARKED WITH THE McDONNELL DOUGLAS CONTROL NUMBER "B33B0145-1".

DIMENSIONS (IN (mm))		TOLERANCES UNLESS OTHERWISE SPECIFIED		MATERIAL		FINISH		WEIGHT		SCALE	
0 PLC	±	0	±	0	±	0	±	0	±	0	±
1 PLC	±	1	±	1	±	1	±	1	±	1	±
2 PLC	±	2	±	2	±	2	±	2	±	2	±
3 PLC	±	3	±	3	±	3	±	3	±	3	±
4 PLC	±	4	±	4	±	4	±	4	±	4	±
ANGLES		±		±		±		±		±	

DMN	T. THOMPSON	12-02-94	AMP Incorporated Harrisburg, PA 17105-3608
CHK	K. GUARAGNO	12-02-94	
APVD	K. GUARAGNO	12-02-94	NAME DUAL RECEPTACLE, ARINC 404, RM2R67P67P-0104
PRODUCT SPEC			
APPLICATION SPEC			SIZE A1
WEIGHT			CAGE CODE 00779
CUSTOMER DRAWING			DRAWING NO 443098
			SCALE 2:1
			SHEET 1 OF 1
			REV 0

单击下面可查看定价，库存，交付和生命周期等信息

[>>TE Connectivity\(泰科\)](#)