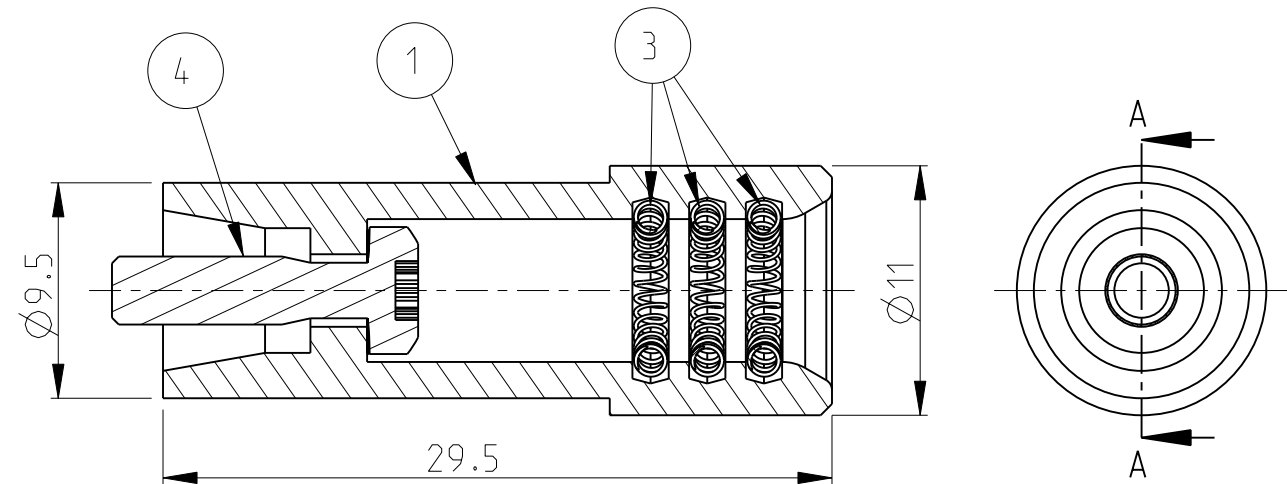


THIS DRAWING IS UNPUBLISHED. RELEASED FOR PUBLICATION .2000

© COPYRIGHT 2000 BY TYCO ELECTRONICS CORPORATION. ALL RIGHTS RESERVED.

PN 0-1

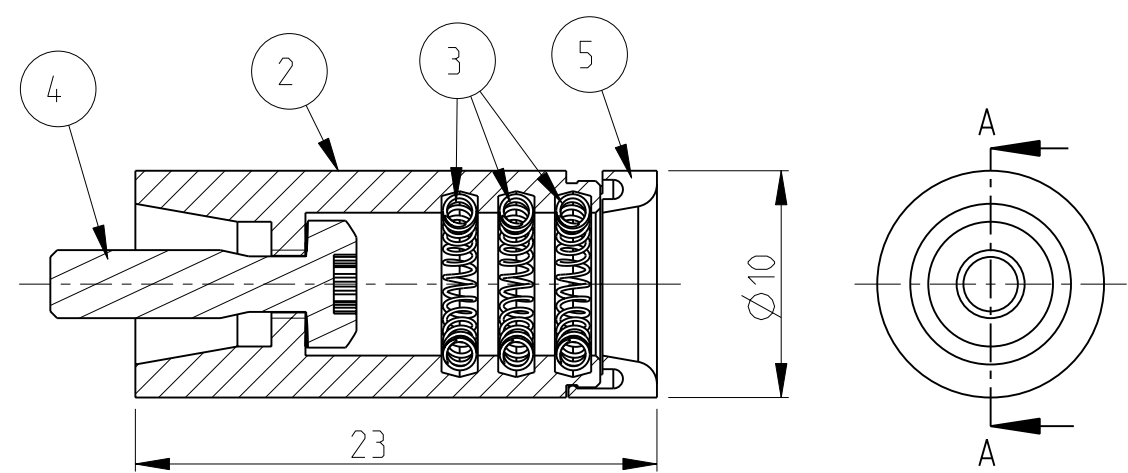


SECTION A-A  
SCALE 3:1

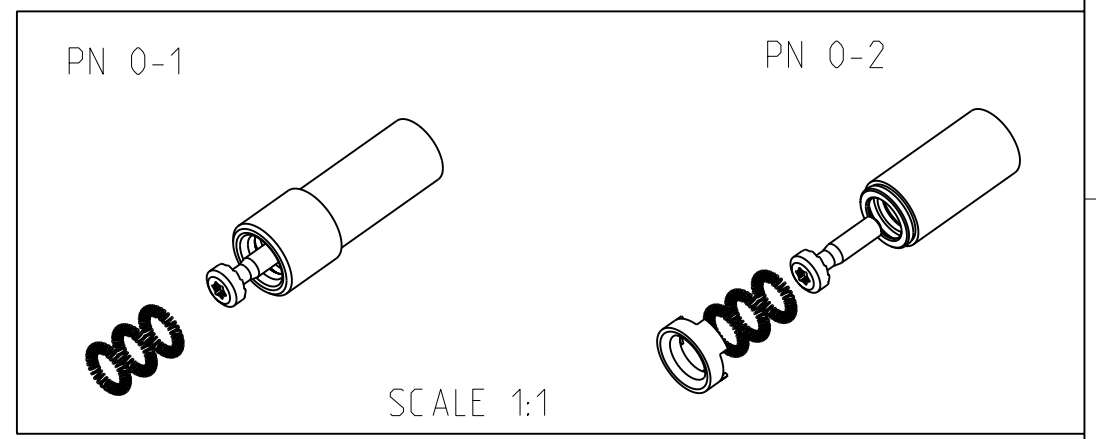
| LOC   | DIST | REVISIONS |                               |             |      |             |       |
|-------|------|-----------|-------------------------------|-------------|------|-------------|-------|
|       |      | P         | LTR                           | DESCRIPTION | DATE | DWN         | APVD  |
| AI    | -    |           |                               |             |      |             |       |
| NOTES |      | C4        | RELEASED AS PER ECR-09-006875 |             |      | 25-MAR-2009 | GG TS |

- 1 SUITABLE CRIMP BARRELS:SERIES HF.06/08  
CUSTOMER DRAWING: 1110952,1108807
- 2 SUITABLE INSERTS:  
FOR 0-1: SERIES MDL;MDL2  
CUSTOMER DRAWING: 1102998,1103024,1104560,1110957  
  
FOR 0-2: SERIES HVS;HC.20  
CUSTOMER DRAWING: 1103242,1245441
- 3 STANDARDS:  
DIN EN 61984;DIN EN 60664-1
- 4 PACKAGING QUANTITY: 10 SETS  
IN A CARTON,PRE-MOUNTED

PN 0-2



SECTION A-A  
SCALE 3:1



| 1   | -   | IP20 PROTECTION | PA6.6-GF25   | -             | BLACK | 5       | FOR SOCKET CONTACT |
|-----|-----|-----------------|--------------|---------------|-------|---------|--------------------|
| 1   | 1   | SCREW           | STAINL.STEEL | -             | -     | 4       | M3 SELF LOCKING    |
| 3   | 3   | COIL SPRING     | Cu/be        | SILVER PLATED | -     | 3       | RAD.6.0 mm         |
| 1   | -   | SOCKET CONTACT  | BRASS        | SILVER PLATED | -     | 2       | SHORT VERSION      |
| -   | 1   | SOCKET CONTACT  | BRASS        | SILVER PLATED | -     | 1       | LONG VERSION       |
| 0-2 | 0-1 | DESCRIPTION     | MATERIAL     | SURFACE       | COLOR | ITEM NO | REMARKS            |
|     |     | HF.06.Bu        |              |               |       |         |                    |
|     |     | HF.06.Bu-IP20   |              |               |       |         |                    |

|   |  |   |  |  |  |
|---|--|---|--|--|--|
| <small>THIS DRAWING IS A CONTROLLED DOCUMENT FOR TYCO ELECTRONICS CORPORATION<br/>IT IS SUBJECT TO CHANGE AND THE CONTROLLING ENGINEERING ORGANIZATION<br/>SHOULD BE CONTACTED FOR THE LATEST REVISION.</small> |  | DWN 09/08/2005<br>G.W.ROBLEWSKI<br>CHK 09/08/2005<br>H.BRAUN<br>APVD 09/08/2005<br>T.SCHNURPFIL           |  | Tyco Electronics.AMP.GmbH<br>53757 Sankt Augustin, Germany |  |
| DIMENSIONS:<br>mm   |  | TOLERANCES UNLESS OTHERWISE SPECIFIED:<br>0 PLC ±<br>1 PLC ±<br>2 PLC ±<br>3 PLC ±<br>4 PLC ±<br>ANGLES ± |  | NAME<br>ASS'Y SOCKET CONTACT<br>SERIES HF6                 |  |
|   |  | MATERIAL $\triangle 5$  |  | FINISH $\triangle 6$                                       |  |
|   |  | PRODUCT SPEC<br>108-74024   |  | SIZE A3<br>CAGE CODE 00779<br>DRAWING NO C=1110949         |  |
|   |  | APPLICATION SPEC<br>114-74031   |  | RESTRICTED TO -  |  |
|   |  | WEIGHT -  |  | SCALE 5:1 SHEET 1 OF 1 REV C4                              |  |
|   |  | CUSTOMER DRAWING  |  |  |  |

单击下面可查看定价，库存，交付和生命周期等信息

[>>TE Connectivity\(泰科\)](#)