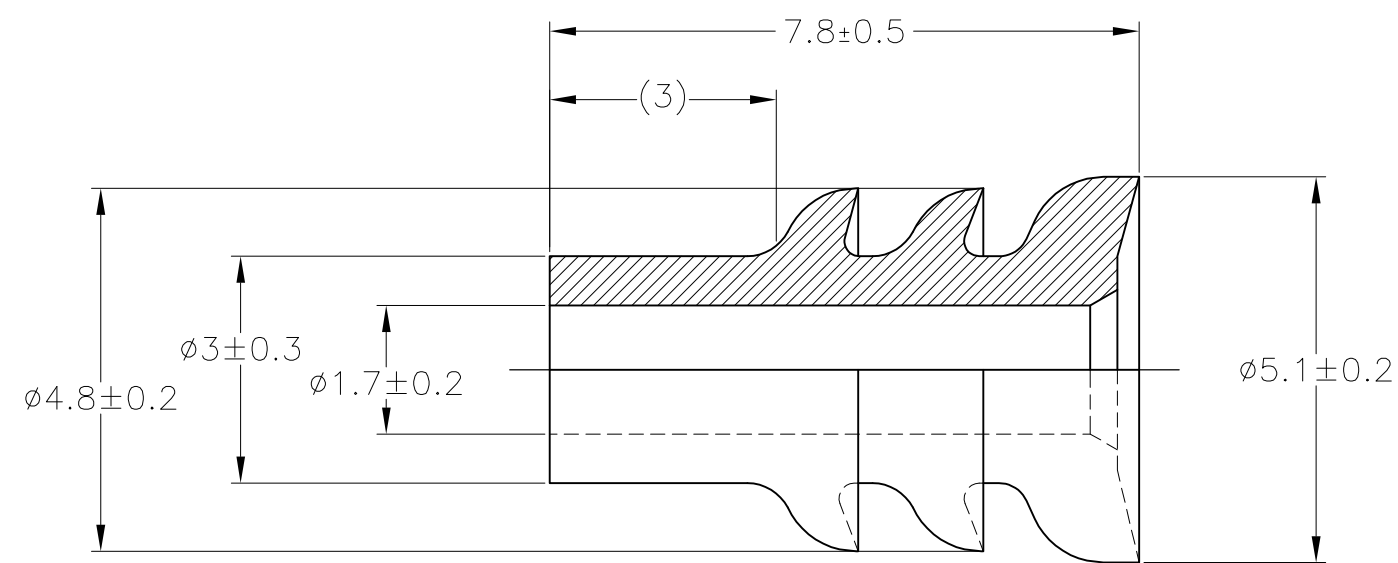

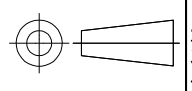


THIS DRAWING IS UNPUBLISHED. RELEASED FOR PUBLICATION JUN,2014 . - .  
 © COPYRIGHT 2014 By Tyco Electronics Japan G.K. ALL RIGHTS RESERVED.

|     |      |                 |     |             |               |         |       |
|-----|------|-----------------|-----|-------------|---------------|---------|-------|
| LOC | DIST | REVISIONS<br>変更 |     |             |               |         |       |
| J   |      | P               | LTR | DESCRIPTION | DATE          | DWN     | APVD  |
|     |      |                 | A1  | REVISED     | ECR-14-018935 | 18DEC14 | DM TK |



- ① オイル塗布タイプ
- ② 材料; NBR フタル酸フリー
- ① OIL COATED TYPE
- ② MATERIAL; NBR NON-BIS TYPE

|   |  |   |  |  |            |             |   |  |
|---|--|---|--|--|------------|-------------|---|--|
| WIRE RANGE<br>0.5~1.25mm <sup>2</sup><br>(AWG#20-#16)                                 |  | INSULATION DIA.<br>φ2~φ2.6mm  |  | NBR ②  | 黒色 (BLACK) | 2822354-2   |   |  |
|   |  |   |  | NBR ①②   | 黒色 (BLACK) | 2822354-1   |   |  |
|   |  |   |  | MATERIAL   | COLOR      | PART NUMBER |   |  |
| THIS DRAWING IS A CONTROLLED DOCUMENT.  |  |   |  |  <b>TE Connectivity</b><br>070 TYPE RUBBER PLUG |            |             |   |  |
| DIMENSIONS:<br>単位: 耗<br>mm  |  | TOLERANCES UNLESS<br>OTHERWISE SPECIFIED:<br>一般公差                           |  |  |            |             | NAME<br>名称  |  |
|  |  | 0 PLC ± -<br>1 PLC ± -<br>2 PLC ± -<br>3 PLC ± -<br>4 PLC ± -<br>ANGLES ± - |  |  |            |             | DWN D.MATSUURA 06AUG2014<br>CHK S.IWATANI 06AUG2014<br>APVD T.KOHNO 06AUG2014 |  |
|   |  | MATERIAL<br>材料<br>SEE TABLE   |  |  |            |             | FINISH<br>仕上<br>-   |  |
|   |  | PRODUCT SPEC<br>製品規格<br>108-5262<br>108-5179                                |  | SIZE   |            |             |   |  |
|   |  | APPLICATION SPEC<br>取付適用規格<br>-   |  | CAGE CODE  |            |             |   |  |
|   |  | WEIGHT<br>0.1 g   |  | DRAWING NO<br>番号<br>A300779 C-2822354  |            |             |   |  |
|   |  | CUSTOMER DRAWING  |  | RESTRICTED TO<br>-   |            |             |   |  |
|   |  | SCALE<br>尺度 10:1  |  | SHEET<br>1 OF 1  |            |             |   |  |
|   |  |   |  | REV<br>A1  |            |             |   |  |

单击下面可查看定价，库存，交付和生命周期等信息

[>>TE Connectivity\(泰科\)](#)