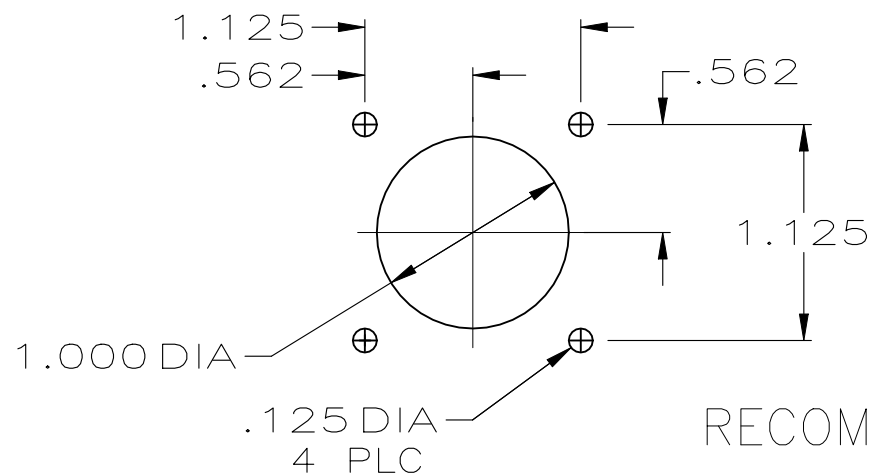
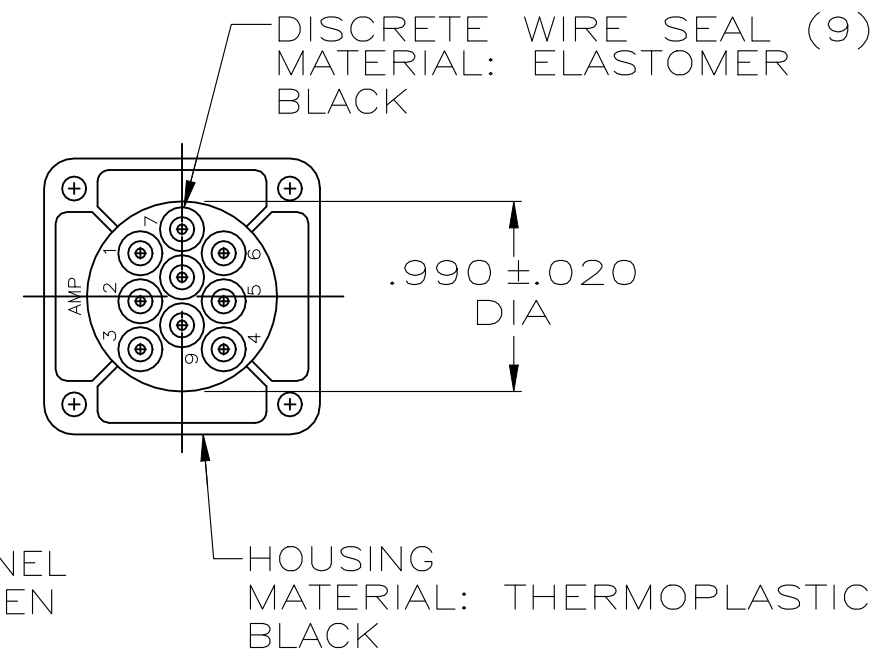
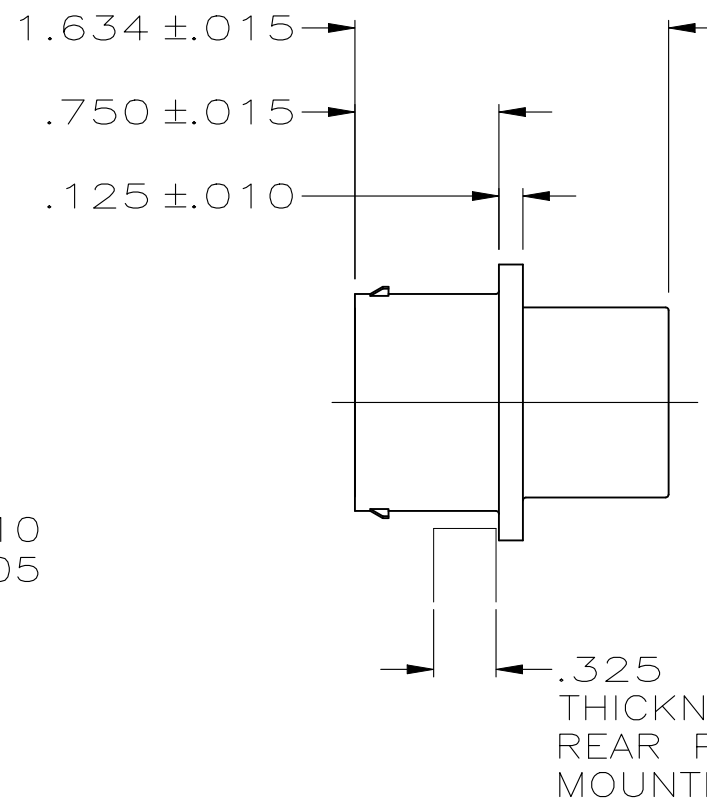
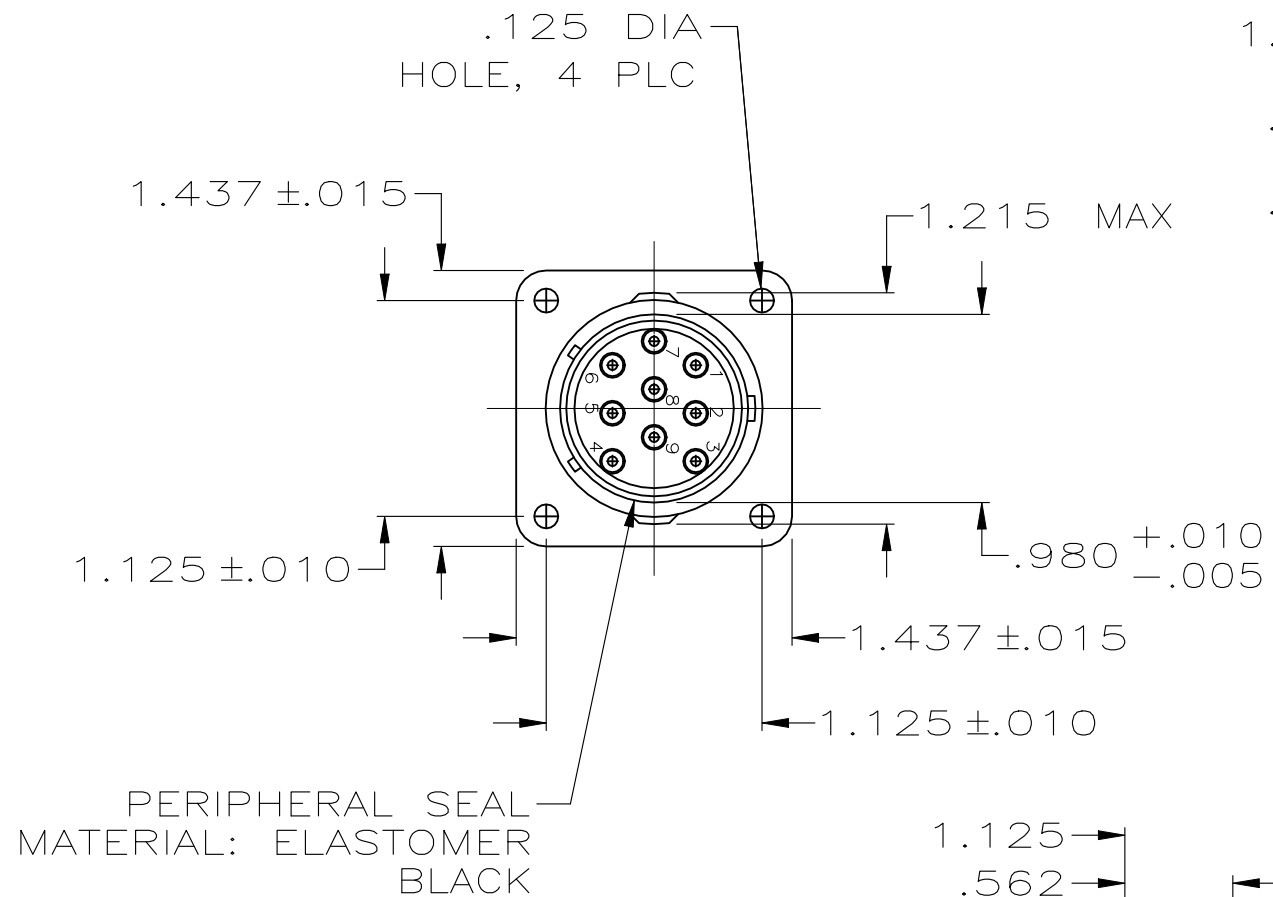


| REVISIONS | | | | | |
|-----------|-----|---------------------|-----------|-----|------|
| P | LTR | DESCRIPTION | DATE | DWN | APVD |
| | F | PER PCN E-20-018081 | 11MAR2021 | SCK | |



RECOMMENDED PANEL CUTOUT

208546-1
PART NUMBER

1. WIRE INSULATION SEALING RANGE .070-.115 DIA.
2. MATES WITH 208530-1.
3. TOTAL LENGTH OF MATED CONNECTORS IS LESS THAN 2.50 INCHES.
4. THIN MEMBRANE PERMISSIBLE ON SMALL DIAMETER OF WIRE SEALS.

| | | | | | |
|--|--|--------------------------------------|--|-----------------|------------|
| THIS DRAWING IS A CONTROLLED DOCUMENT. | | DWN J GALLUCCI BG 8-10-90 | STE TE Connectivity | | |
| | | CHK J.McCLINTON 1-4-91 | | | |
| DIMENSIONS: INCHES | TOLERANCES UNLESS OTHERWISE SPECIFIED: | APVD 1-18-91 K.BEAVER | NAME ECONOSEAL, SQUARE FLANGE RECEPTACLE, SHELL SIZE 17, 9 POSN, PIN CONTACTS | | |
| | 0 PLC ± - 1 PLC ± - 2 PLC ± - 3 PLC ± .005 4 PLC ± - ANGLES ± - | PRODUCT SPEC 1-29-91 J.FULPONI | SIZE | CAGE CODE | DRAWING NO |
| MATERIAL SEE CALLOUT | FINISH - | APPLICATION SPEC - | WEIGHT 0.000000 | A300779 | C-208546 |
| CUSTOMER DRAWING | | | SCALE 1:1 | SHEET 1 OF 1 | REV F |

单击下面可查看定价，库存，交付和生命周期等信息

[>>TE Connectivity\(泰科\)](#)