

Molded Parts Specification Control Drawing

Part Number : 222A142-X-17
Description : Boot, 90°, Thin Wall

NOTES

- All dimensions are in $\frac{\text{inches}}{\text{[millimeters]}}$
- Dimensions appearing in table are as follows:
 - a - As Supplied
 - b - After Unrestricted Recovery
- Coating is optional. As supplied dimensions appearing in table are for uncoated parts. When coating is added, entry diameters will be reduced by .06 max.

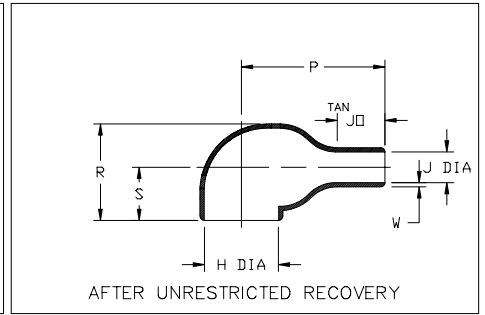
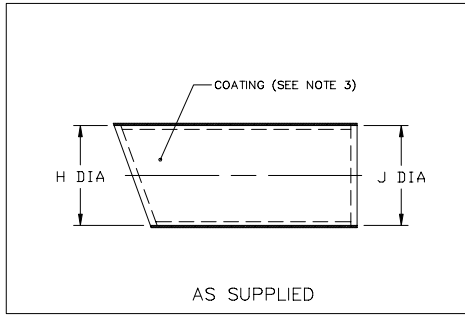


TABLE OF DIMENSIONS

PART NUMBER	H		J		P	R	S	JO	W
	Min	Max	Min	Max	±10%	±10%	±10%	±10%	±20%
	a	b	a	b	b	b	b	b	b
222A142-X-17	1.28 [32,5]	.68 [17,3]	1.28 [32,5]	.27 [6,9]	1.44 [36,6]	.95 [24,1]	.56 [14,2]	.40 [10,2]	.07 [1,8]

**If this document is printed it becomes uncontrolled.
Check for the latest revision.**



TYCO ELECTRONICS
307 CONSTITUTION DRIVE
MENLO PARK, CALIFORNIA 94025

Revision : A
Date : 8/23/02

Part Number : 222A142-X-17
Description : Boot, 90°, Thin Wall

Molded Parts Specification Control Drawing

Part Number : 222A142-X-17
Description : Boot, 90°, Thin Wall

COMPATABILITY CHART					
MATERIAL DASH NO.	MATERIAL DESCRIPTION	RT SPEC	COATING SLASH NO.	COATING S NO.	COATING DESCRIPTION
-25	Elastomer, Fluid Resistant	RT-1325	/42	S-1017	Adhesive

ORDERING INFORMATION

222A142 -25 -17 /42

Base part number _____
Material dash number _____
(See Compatibility Chart)
Modification number _____
(If necessary, see front of scd binder for a complete list)
Adhesive slash number _____
(If necessary, see Compatibility Chart)

THIS DRAWING IS SUBJECT TO CHANGE WITHOUT NOTICE; CONSULT YOUR NEAREST FIELD REPRESENTATIVE FOR CURRENT REVISION



TYCO ELECTRONICS
307 CONSTITUTION DRIVE
MENLO PARK, CALIFORNIA 94025

Revision : A
Date : 8/23/02

Part Number : 222A142-X-17
Description : Boot, 90°, Thin Wall

单击下面可查看定价，库存，交付和生命周期等信息

[>>TE Connectivity\(泰科\)](#)