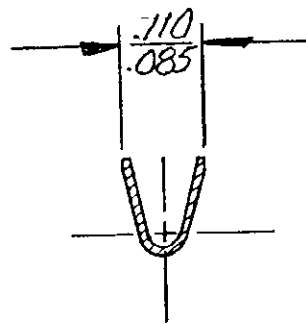
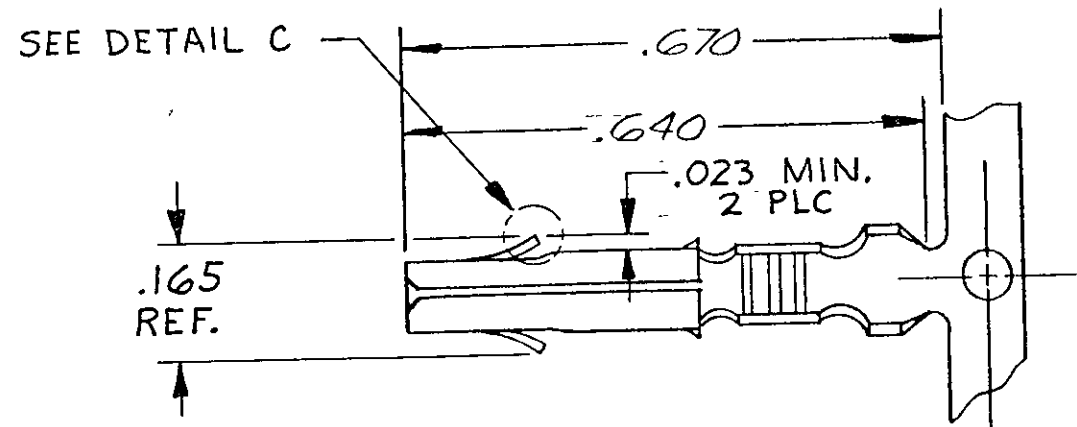


DRAWING MADE IN THIRD ANGLE PROJECTION

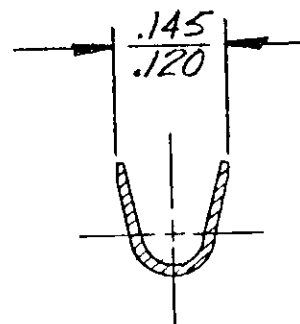
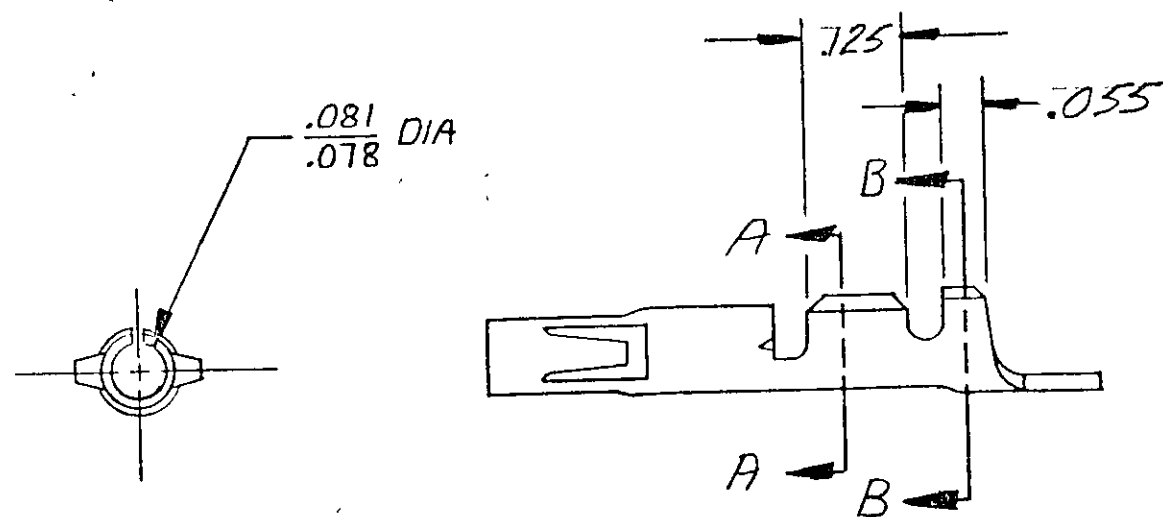
© COPYRIGHT 1973 BY AMP INCORPORATED, HARRISBURG, PA.
ALL INTERNATIONAL RIGHTS RESERVED. AMP INCORPORATED PRODUCTS
COVERED BY U. S. AND FOREIGN PATENTS AND/OR PATENTS PENDING.

1 LOC CM DIST 53

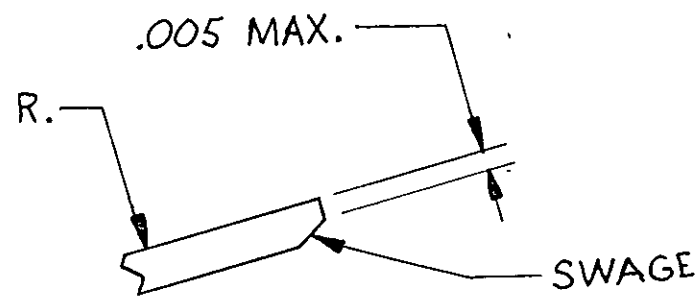
		REVISIONS				
P	F	ZONE	LTR	DESCRIPTION	DATE	APPROVED
✓	✓		E	REDWN W/O CHANGE M-5090	5-3-78	JW/DH.
✓			E	RESTORED	4/3/85	BKD/RS
✓			F	OBSOLETE -7 CM-473	4-15-86	JW/RS
✓			G	OBSOLETE -2 PER ECN CM-761	4/28/87	PKC TB
			H	REV PER EC 0730-3607-91	1-6-94	RV RS



SECTION A-A



SECTION B-B



DETAIL C

.100 MAX	24-18 AWG			
		BRASS	PRE-TIN	350560-1
		MATL	FINISH	PART NO

UNLESS OTHERWISE SPECIFIED DIMENSIONS ARE IN INCHES. TOLERANCES ON: DECIMALS ± .015 ANGLES ± 1°	CONTRACT NO		AMP INCORPORATED Harrisburg, Pa				
	DR	<i>J. Williams</i> 5-3-78					
	MATERIAL	SEE TABLE	CHK	<i>D.S. Heide</i> 11/16/78	NAME	SOCKET, MATE-N-LOK,™ DUAL LANCE	
	FINISH	SEE TABLE	APPD	<i>A.F. TRAVIS</i> 11/12	SIZE	B	
		DSGN APPD		CODE IDENT NO	00779	DRAWING NO	350560
		OTHER APPD		SCALE	7	SHEET	1 OF 1

CUSTOMER DRAWING

单击下面可查看定价，库存，交付和生命周期等信息

[>>TE Connectivity\(泰科\)](#)