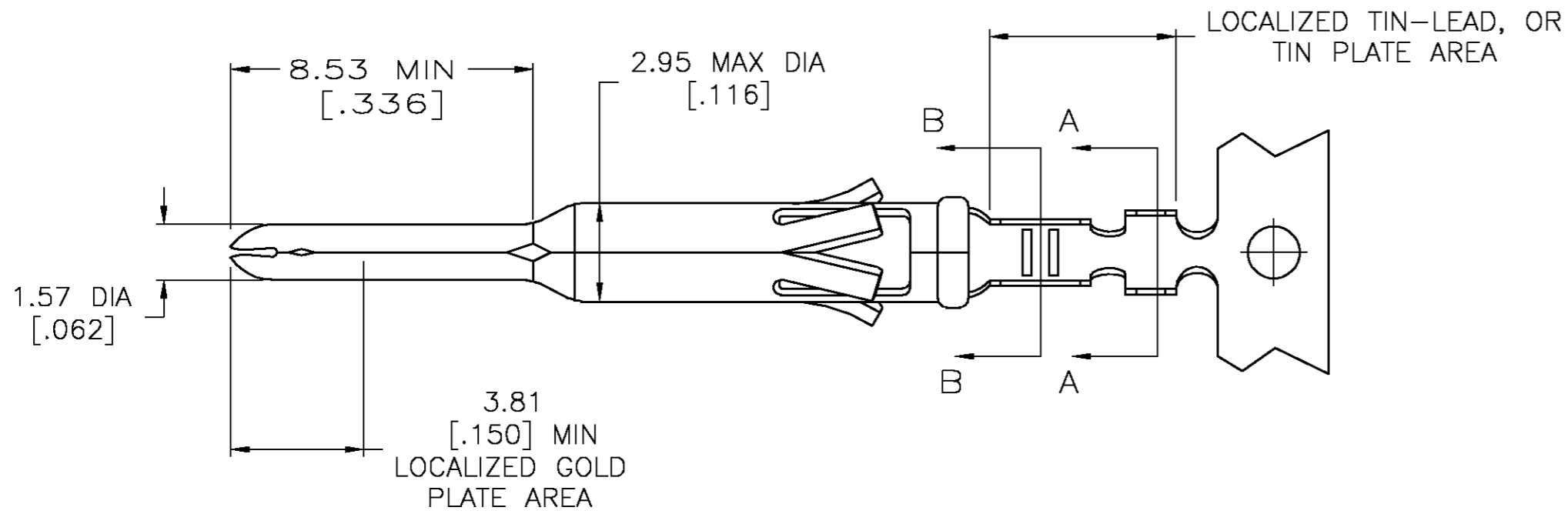
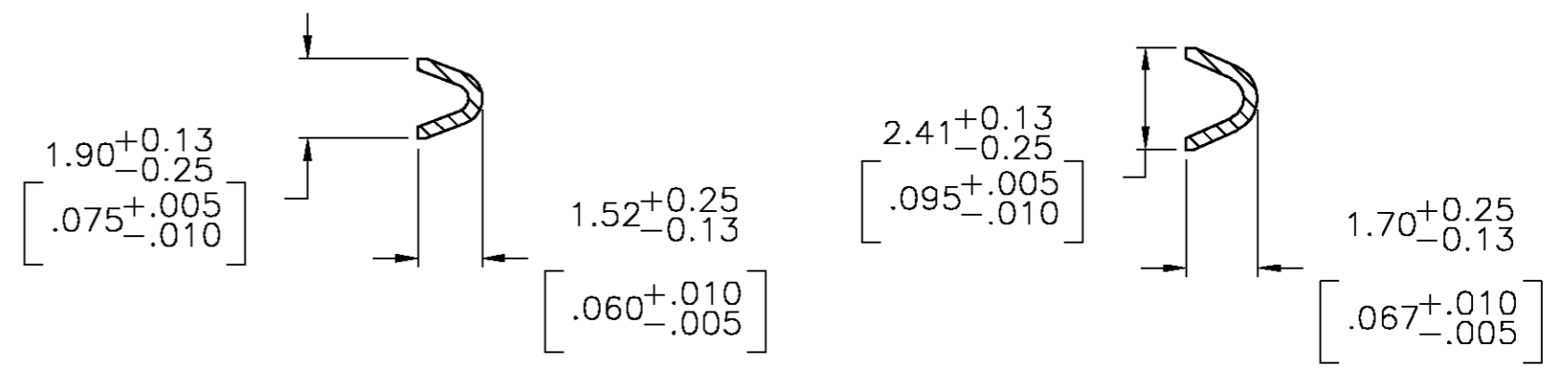
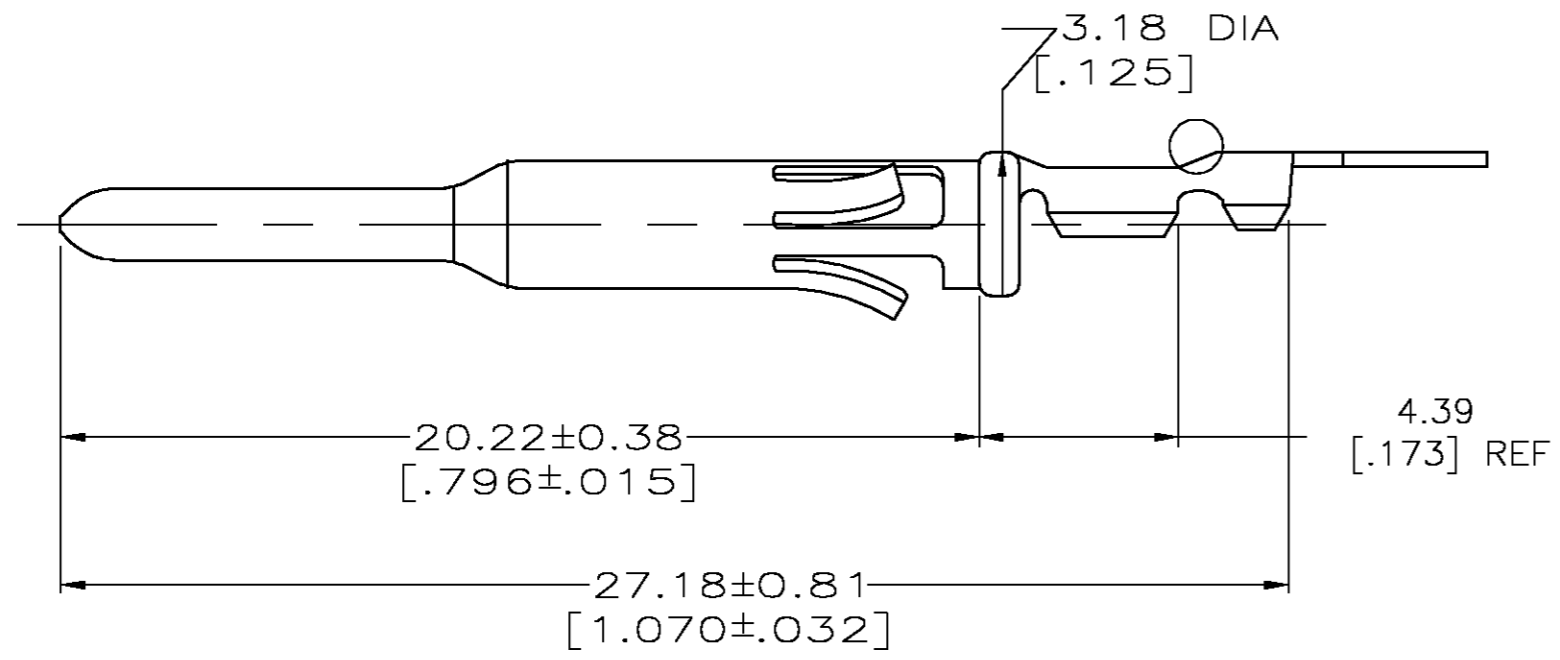
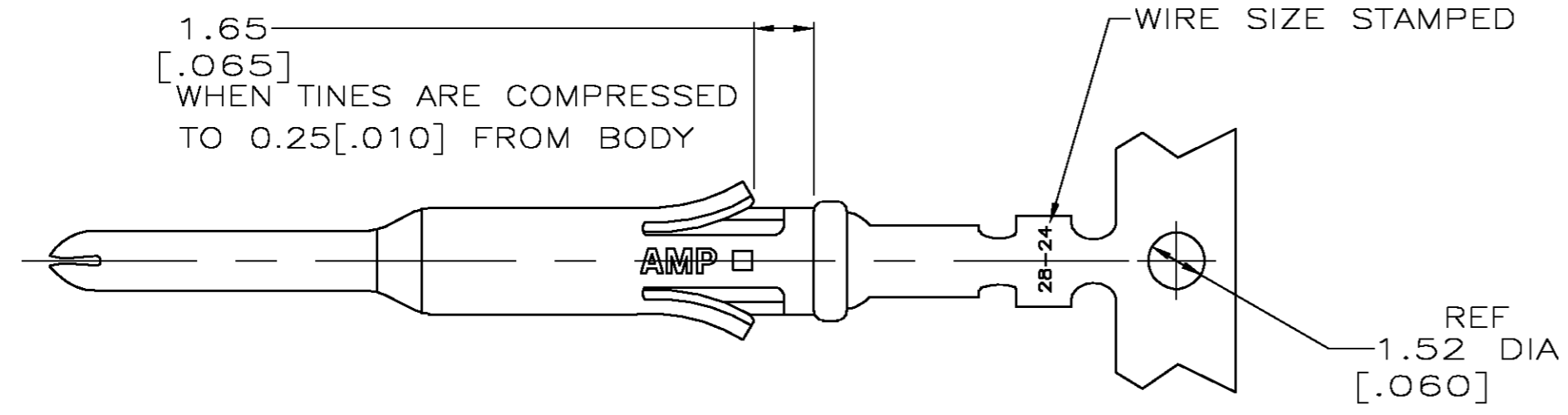


THIS DRAWING IS UNPUBLISHED. RELEASED FOR PUBLICATION
 © COPYRIGHT BY TYCO ELECTRONICS CORPORATION. ALL RIGHTS RESERVED.

LOC		DIST		REVISIONS			
P	LTR	DESCRIPTION		DATE	DWN	APVD	
FT	0	H		REVISED PER 0G3B-1175-04	12/21/04	SS	GS



1. WIRE RANGE 28-24 AWG.
 2. INSULATION RANGE 0.89-1.40 [.035-.055] DIA.
 3. FOR LOOSE PIECE PART SEE DWG 66595.
- ⚠ 0.76um [.000030] MIN GOLD IN LOCALIZED GOLD PLATE AREA, 1.27um [.000050] MIN TIN-LEAD IN LOCALIZED TIN-LEAD PLATE AREA, BOTH OVER 1.27um [.000050] MIN NICKEL.
- ⚠ TIN PLATED.
- ⚠ GOLD PLATING PER MIL-G-45204, TIN PER MIL-T-10727 AND NICKEL PER QQ-N-290.
- ⚠ 0.76um [.000030] MIN GOLD IN LOCALIZED GOLD PLATE AREA, 1.27um [.000050] MIN TIN IN LOCALIZED TIN PLATE AREA, BOTH OVER 1.27um [.000050] MIN NICKEL.

DESCRIPTION	FINISH	PART NO.
REVERSE REELED FOR MINI-APPICATOR	⚠	1-66585-0
REVERSE REELED FOR MINI-APPICATOR	⚠	66585-4
-	⚠	66585-3
REVERSE REELED FOR MINI-APPICATOR	⚠	66585-2
-	⚠	66585-1

THIS DRAWING IS A CONTROLLED DOCUMENT.

DWN: D.HARDY 06/15/94
 CHK: R.STONE 06/22/94

APVD: -

PRODUCT SPEC: -

APPLICATION SPEC: -

MATERIAL: BRASS PER MIL-C-50

FINISH: SEE TABLE ⚠

WEIGHT: -

SCALE: 6:1

SHEET: 1 OF 1

REV: H

NAME: CONTACT, PIN, STRIP, TYPE VI, MULTIMATE

SIZE: A2

CAGE CODE: 00779

DRAWING NO: C=66585

RESTRICTED TO: -

CUSTOMER DRAWING

单击下面可查看定价，库存，交付和生命周期等信息

[>>TE Connectivity\(泰科\)](#)